

PUR[®]

Whole Home Ultraviolet Water Disinfection System

Owner's Manual

PUV15S

PUV25S

PUV15H

PUV25H



Table of Contents:

Safety Precautions	1	*Optional Vertical Installation.....	4
Product Overview.....	2	*System Installation.....	5
Tools Required for Installation	2	In-House Water Distribution System Disinfection	6
About Your System.....	3	Operation & Maintenance.....	6
Conditions for Operation	3	Lamp Installation and Replacement	7 - 8
Installation Instructions.....	3 - 5	Quartz Sleeve Installation and Replacement.....	8
*Accessibility, Orientation & Fittings.....	3	Troubleshooting Guide.....	9
*Optional Bypass Line and Drain Valve	4	NSF Data Tags.....	10
*Horizontal Installation	4	Warranty.....	10

Safety Precautions:

WARNING: The installation of this system must be in accordance with all provincial/state and/or local laws and regulations regarding plumbing and electrical services. Installation by a certified plumber is recommended. Always comply with the following warnings and safety instructions, to prevent bodily harm, injury or property damage.

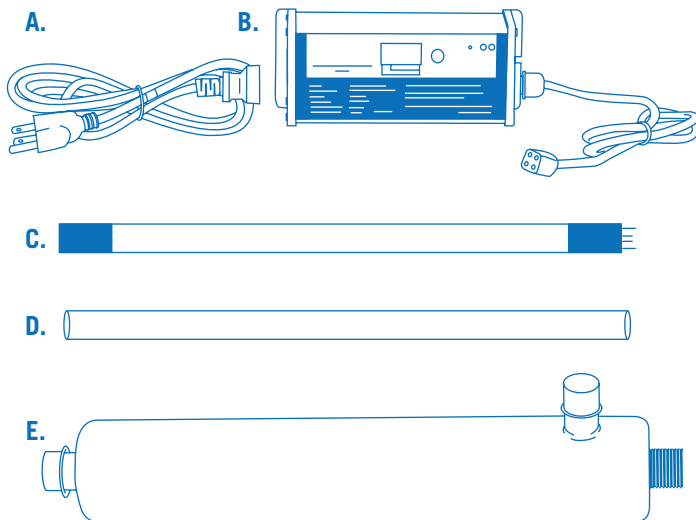
DANGER: The lamp inside the unit emits ultraviolet light that can cause permanent damage to skin and eyes. Never look at the lamps when unit is operating.

- Never attempt to operate your UV system unless it has first been properly grounded, to avoid creating an electric shock hazard.
- To prevent an electric shock, do not plug the UV system into any socket that has not been equipped with a Ground Fault Circuit Interrupter (GFCI).
- Always unplug the power cord before attempting to install, clean or perform other routine maintenance on the unit.
- Always stop the inlet water flow before performing any maintenance on the unit.
- Do not attempt to service this unit unless you are an accredited service technician, as personal injury could result and/or system operation could be detrimentally affected.
- Never operate this unit in an oxygen-rich environment, or within 6 feet (2 meters) of any oxygen source.
- If temperatures should fall below freezing (0°C / 32°F), drain all water from the unit, drain and disconnect all plumbing lines, and cap the inlet and outlet ports.
- Do not attempt to install, operate, clean or perform routine maintenance on your UV system unless you have first read and understand all of the warnings and safety instructions that are contained in this manual and on the labels that are affixed to the system.
- Do not attempt to operate the UV system if it has been visibly damaged. Inspect it carefully to ensure it is free of physical damage before using.
- Do not operate if the system is wet or if there are visible leaks.
- The UV system is electrically certified for indoor applications only and should not be exposed to outdoor elements.
- Always install and operate the unit in an environment where both the air and water temperatures will normally range between 36°F (2°C) and 104°F (40°C).

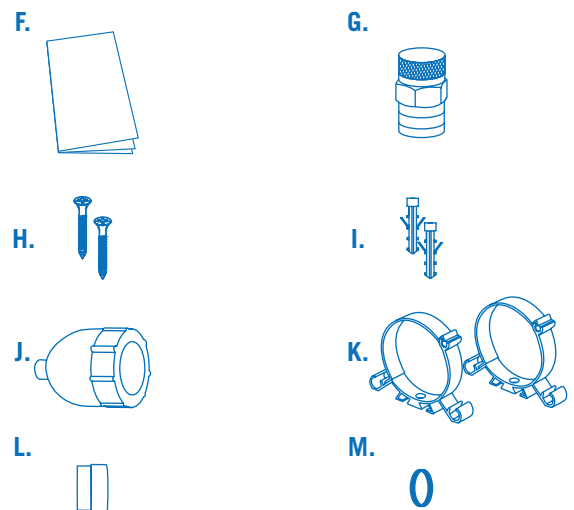
This Class B system or component conforms to NSF/ANSI Standard 55 and CSA B483.1 for the supplemental bactericidal treatment of disinfected public drinking water or other drinking water that has been tested and deemed acceptable for human consumption by the state or local health agency having jurisdiction. The system is only designed to reduce normally occurring non-pathogenic nuisance microorganisms. Class B systems are not intended for treatment of contaminated water.

Product Overview:

The PUR® Ultraviolet (UV) Water Disinfection System has been engineered to rigid standards, and has been quality inspected at the factory prior to packaging. Please review this manual in its entirety for a detailed system explanation, and ensure that the following components accompany this system. To ensure system performance, all replacement components should be purchased directly from an authorized dealer or online at www.ghpgroupinc.com. The use of components purchased from other sources will void the warranty, and will potentially cause the system to function in a lesser capacity than intended.



Item	Description	QTY
A	Power Cord	1
B	Electronic Controller	1
C	UV Lamp	1
D	Quartz Sleeve	1
E	Stainless Steel UV Reaction Chamber	1

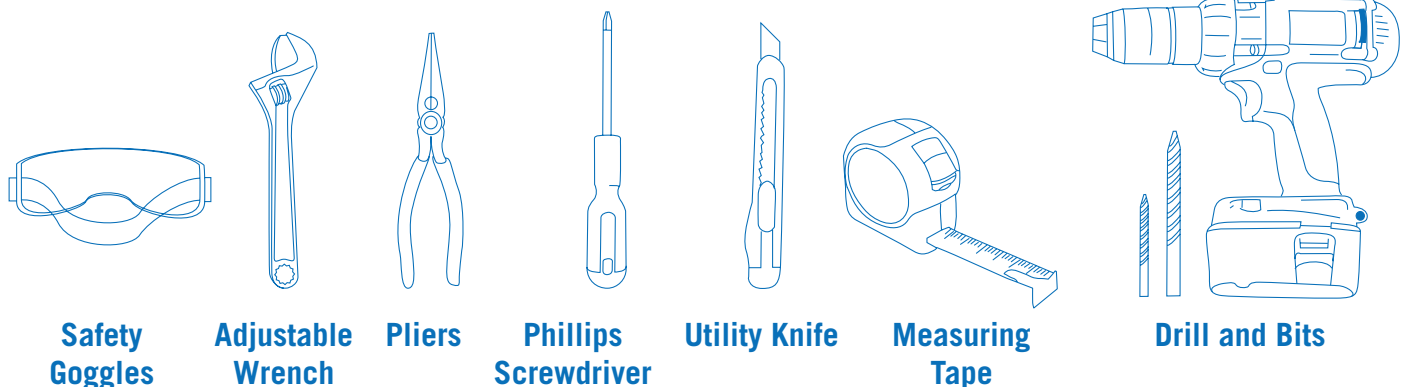


Item	Description	QTY
F	Owners Manual	1
G	Flow Restrictor	1
H	Wall Screws	2
I	Wall Anchors	2
J	VuCap®	1
K	UV Cylinder Mounting Clamps	2
L	Retaining Nut	1
M	Quartz Sleeve Sealing O-Ring	1

WARNING: Lamps must be replaced after 12 months of operation to ensure proper disinfection of your water. Clean the Quartz Sleeve frequently for optimum performance.

A minimum 5 μ nominal pre-filter is recommended upstream (before) the UV system installation point. As UV system efficiencies are dictated by penetration of the UV light through the water column, particulate matter within the water column could decrease the disinfection capacity, and potentially create a harmful condition. Filtration systems sold separately.

Tools Required for Installation:



About Your System:

Specifications:

NSF/ANSI Standard 55 Class B and CSA B483.1

Model Number:		PUV15S	PUV25S	PUV15H	PUV25H
Flow Rate GPM US (LPM)*		7.4 (28.2)	12.3 (46.6)	15.5 (58.7)	25.6 (96.9)
Dimensions	Controller	8" x 2" x 3" (20.3cm x 5.1cm x 7.6cm)			
	Chamber Diameter	3.5" (8.9 cm)	3.5" (8.9 cm)	3.5" (8.9 cm)	3.5" (8.9 cm)
	Chamber Length	18.5" (47 cm)	28" (71.1 cm)	18.5" (47 cm)	28" (71.1 cm)
I/O Port Size		3/4" FNPT - 1.0" MNPT			
System Operating Pressure		15-125psi (103-862kPa)			
Electrical	Voltage	100-240, 50/60Hz			
	Power Consumption (W)	21	35	46	67
	Lamp Watts (W)	17	30	40	60
Chamber Material		304SS			

* NSF/ANSI 55 class B maximum rated flow

System tested and certified by NSF International against NSF/ANSI Standard 55 and CSA B483.1 for disinfection performance, class B.

Conditions for Operation:

Water quality will impact the performance of your UV system, and the following levels should be utilized as a guideline for pre-treatment requirements of the influent water supply prior to UV treatment:

Iron..... < 0.3 ppm (0.3 mg/L)
 Turbidity..... < than 1 NTU
 Tannins < 0.1 ppm (0.1 mg/L)
 Manganese..... < 0.05 ppm (0.05mg/L)
 Hardness..... < 120 ppm (7 grains per gallon)
 UV Transmittance..... > 75%

If you are using untreated surface water or untreated groundwater as your source of supply, the suitability of the water supply for potable applications must be confirmed by the provincial/state and/or local health agency that has jurisdiction.

If the test results indicate that: (1) any of the above contaminant levels are being exceeded, or (2) any prevailing drinking water health standards are not being met, additional pre-treatment options must be installed that will eliminate all contaminants posing health risks. Non-municipal water should be tested on an ongoing basis to ensure treatment efficiency.

Installation Instructions:

Accessibility, Orientation & Fittings:

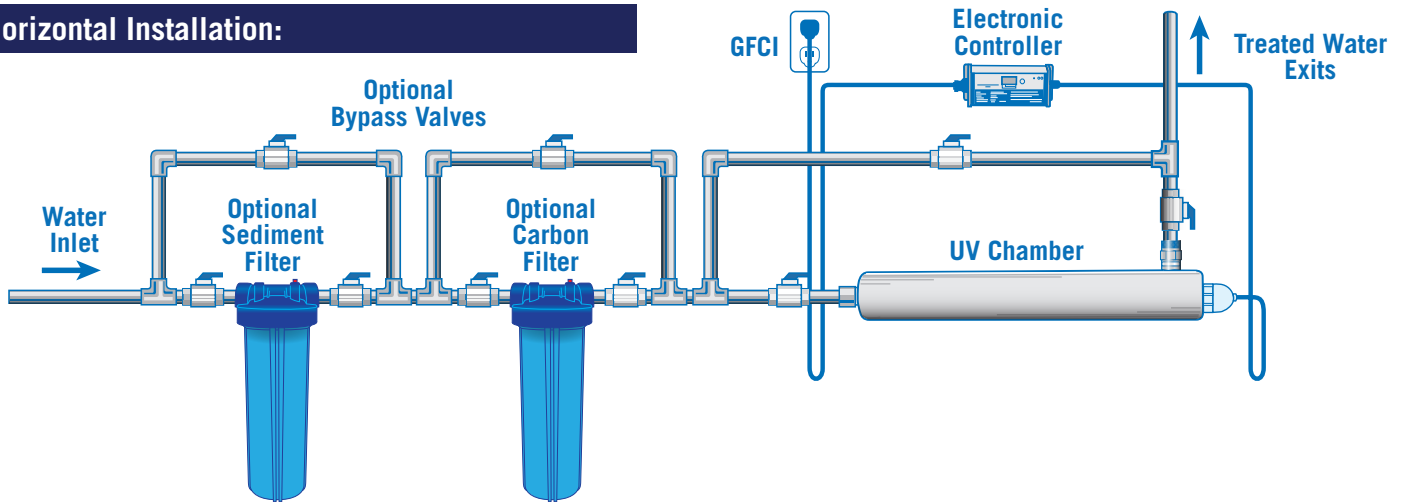
Install your UV system in a location that provides ample space for accessing and removing the lamp and quartz sleeve from the UV chamber. A minimum distance equivalent to the length of the UV reaction chamber (stainless steel cylinder) plus 6-12" (15-30cm) is required to ensure adequate clearance. As the UV system generates heat during use, ensure that no combustible items come into contact with, or are in proximity to the system. It is recommended that you maintain at least 6" (15 cm) of clear wall space on all sides of the UV for cooling purposes. This will prolong the operating life of the system. Mount electronic controllers where they will not get wet during maintenance or from condensation from copper pipes, etc.

Installation Instructions (continued):

Optional Bypass Line and Drain Valve:

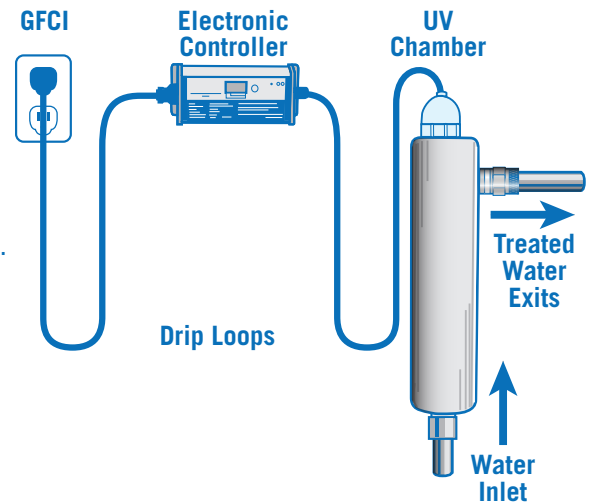
The diagram below shows the installation of a typical disinfection system and the optional components that may be used for the installation. The use of a bypass assembly is recommended in case the system requires off-line maintenance. To prevent possible contamination of water in the plumbing, which may pose a health hazard, do not use the bypass line and valve if your source of supply is untreated surface or ground water. If your source of supply is treated municipal water, use of the bypass line and valve will permit uninterrupted water supply in the event of a system malfunction. The installation of a drain valve, while not required, will allow the service technician to drain the system of water prior to conducting any service on the unit.

Horizontal Installation:

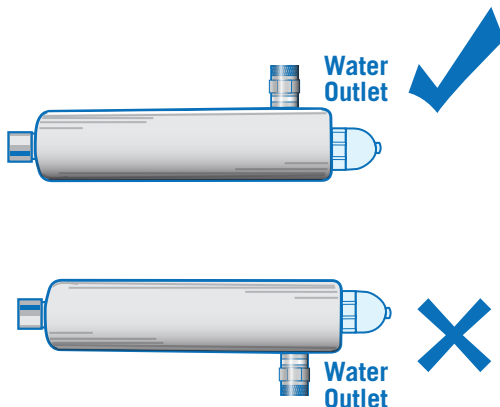


Optional Vertical Installation:

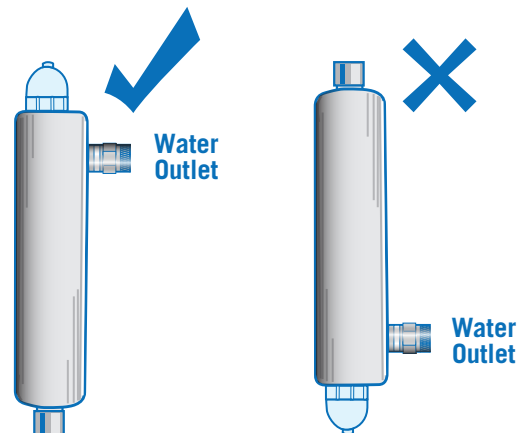
- PUR® UV systems may be installed vertically with the outlet port at the top of the system, to eliminate any trapped air, and the inlet port at the base, as shown in the diagram.
- Ensure the Controller is kept dry and away from any potential condensation. Use drip loops so moisture does not run down lamp harness or power cord and into the Controller. The Electric Controller must remain dry.
- Prior to installation, remove protective caps from inlet and outlet ports of the UV reaction chamber.



Horizontal Installation:



Vertical Installation:



Installation Instructions (continued):

System Installation:

WARNING: When handling the UV lamps and quartz sleeves, soft gloves or a cloth should always be used to prevent oil deposits on the surface. Oil deposits from your hands can create hot spots on the surface which may lead to premature lamp failure.

1. Determine a suitable location and ensure mounting of the UV system in the correct orientation can be completed. In order to install/remove the UV lamp and quartz sleeve from the stainless steel chamber, ensure the minimum clearance is double the overall length of the unit (Figure 1).
2. Attach the mounting clamp to the installation structure using an appropriate screw type for both the weight and material of the surface (Figure 2).
3. Position the UV reactor chamber into the mounting clamp and secure (Figure 3).
4. Install all inlet/outlet plumbing to the system (inclusive of all pre-filtration and valve set-ups described above).

NOTE: In order to meet NSF 55 certification the flow restrictor that is included with the UV system must be used to control the flow of water through the UV chamber. The flow restrictor is designed to thread onto either the inlet or outlet ports using Teflon sealing tape for the NPT fittings. In most settings, the system should have a manual shut off valve at the input. The water flows in the direction of the arrow located on the flow restrictor label.

5. Mount the Electronic Controller in a dry location close to the UV reaction chamber. Install power cord and lamp harness using drip loops to prevent moisture from travelling along cable and into Controller (Figure 4).
6. Ensure the quartz sleeve is intact and that the o-ring, VuCap® retaining ring and retaining nut are in position and tightened. Do not overtighten the retaining nuts (Figure 5).
7. Connect the four pins of the UV lamp to the UV lamp plug on the Controller (Figure 6).
8. Insert the UV lamp into the quartz sleeve and secure the VuCap® protective cover (Figure 7 & 8).

Figure 1

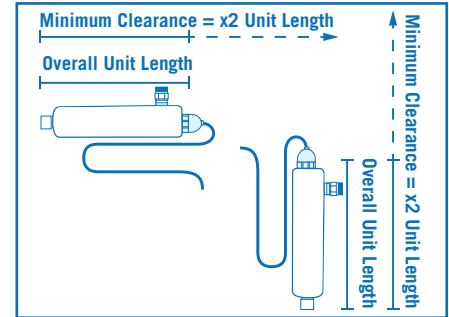


Figure 2

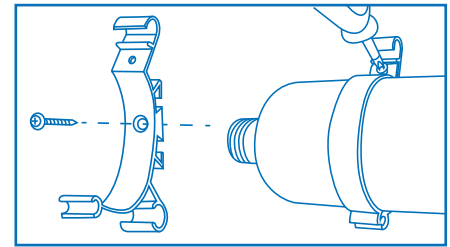


Figure 3

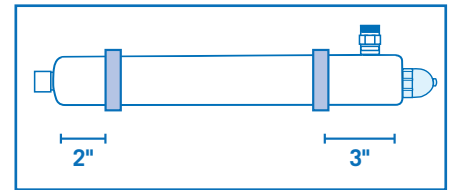


Figure 4

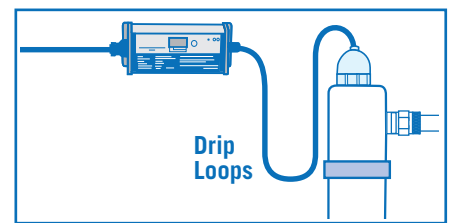


Figure 5

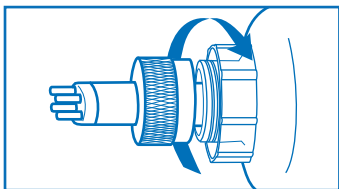


Figure 6

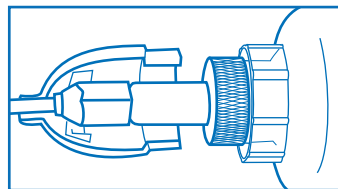


Figure 7

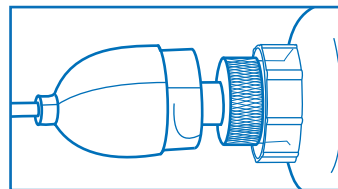
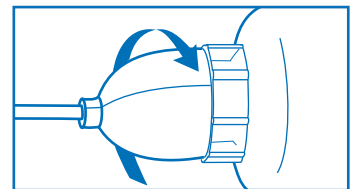
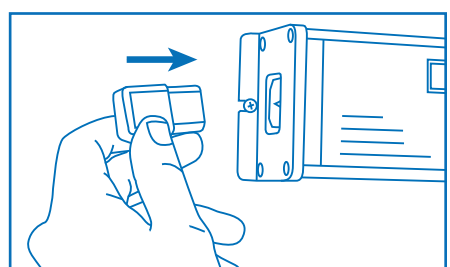


Figure 8



9. Slowly open the supply valves before and after the UV system and ensure there are no water leaks.
10. Connect the Electronic Controller to the power outlet, and ensure that both the Controller display (indicates lamp life remaining) and the green LED illuminate (Figure 9).
The glow from the UV lamp should also be visible through the VuCap® but note it may not be visible in high ambient lighting.

Figure 9



Your UV disinfection system is now ready for use.

If your system is only being used seasonally, it must be stored properly for the winter. Disconnect your system from the power source and drain all water from the system.

Before placing the system back in service, disinfection of the household plumbing system is strongly recommended.

In-House Water Distribution System Disinfection:

The following procedure is recommended for installations of the UV disinfection system in a whole house treatment application. For systems installed on a municipally treated water system, plumbing system disinfection is at the discretion of the user. To disinfect the distribution system, carry out the following steps. Ensure that the UV system remains on during the entire process.

1. Familiarize yourself with the various shut-off valves on your system. **Figure 10**

It is important to understand which combinations of valve positions allow you to isolate the UV system.

2. Shut off the main water supply, ahead of any filter housing, and depressurize the household water lines.

NOTE: Individual plumbing set-up may vary, so images are included as a visual reference only.

3. Close the valves necessary to isolate the UV Prefilters (Figure 10). Remove the filter cartridge closest to the UV (Figure 11). Fill the sump with 1-2 cups of household chlorine bleach (5.25%) (Figure 12).

4. Re-install the sump (without filter) and slowly re-pressurize the system (Figure 13). Open each faucet and allow cold water to run until you can smell chlorine in the water. Shut off the faucet and repeat with all other household faucets including hot water. Be sure to include all exterior faucets, shower heads, and dishwasher/washing machine lines within this process.

5. Allow the solution to remain in the lines for 30 minutes minimum (Figure 14).

6. Re-install the pre-filter cartridge, and flush each individual water line as above until no chlorine odor is detected (Figure 15).

It is critical to ensure that the water distribution system is fully flushed of all residual chlorine prior to use. **EXTREME CAUTION SHOULD BE EXERCISED** as the level of chlorine in the system is approximately 25-50 times greater than that observed in municipally treated water. This is required for the disinfection of the household lines. It is extremely important that proper flushing procedures be followed from all taps prior to use.

NOTE: The introduction of a chlorine disinfection solution to a hot water heater that has been used with untreated hard water or water with excessive iron, manganese or other organic contaminants may lead to oxidization of these materials. If you feel that these conditions may apply to your installation, a thorough flushing of the hot water tank should be done to eliminate the oxidized material from entering the distribution lines.

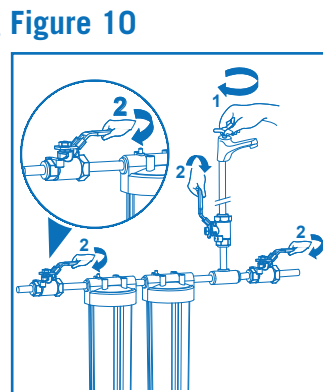


Figure 10

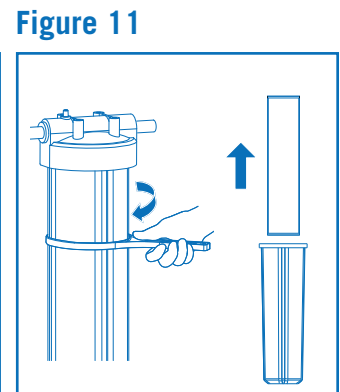


Figure 11

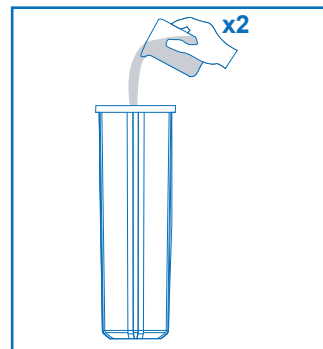


Figure 12

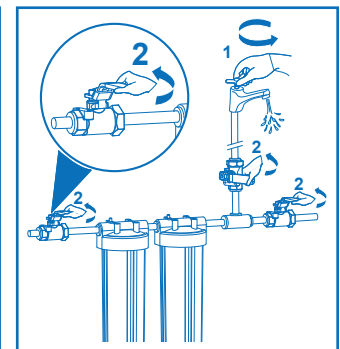


Figure 13

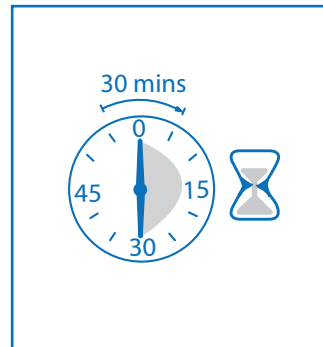


Figure 14

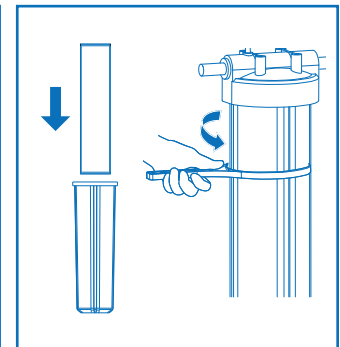


Figure 15

Operation & Maintenance:

The UV system should remain turned on continuously to ensure protection of your water system. During normal operation of the system, the green Controller power LED light will be illuminated and the display will indicate the number of days remaining until lamp replacement is required. During periods of non-use, it is normal for the temperature of the water in the stainless steel chamber to rise. Simply flushing the water line will alleviate this condition. During humid conditions, sweating or small water droplets may be noticed on the surface of the UV reaction chamber. The formation of condensation during high humidity conditions is normal. Do not allow condensation to drip onto the Controller. The following instructions have been provided to assist with general maintenance of the system; UV lamp replacement and quartz sleeve cleaning/replacement. All other system repairs should be completed by a licensed plumber/service technician.

WARNING: Never attempt to service the UV system unless you are an accredited service technician, as the performance of the system could be adversely affected.

Lamp Installation and Replacement:

WARNING: The lamp heats up after continuous use and can burn your skin if touched. Disconnect power from the wall outlet and allow lamp to cool for at least 5 minutes before removing. Do not operate the UV lamp outside of the UV Chamber. The lamp in the unit emits powerful Ultraviolet light that can cause permanent damage to skin and eyes. Never look at the lamp when the unit is turned on. Handle the UV lamp by the ends only. Do not touch the glass surface of the UV lamp with your fingers. If the surface of the lamp becomes dirty, use a clean lint-free cloth and isopropyl alcohol to remove any dirt.

Your UV disinfection system is equipped with a visible/audible lamp failure indicator. In the event of UV lamp failure, the red LED light will flash and a beeping sound will be audible from the Electronic Controller of the unit. The lamp life countdown timer will stop decrementing when in alarm mode. Please note that if these conditions occur and you are on a non-municipal supplied water source, you should immediately stop using the water for potable applications until the lamp is replaced and disinfection of all distribution lines is completed.

The ultraviolet lamp has an approximate life of one year (9000 hours). The UV lamp will continue to operate past 9000 hours, however, the UV output decreases rapidly beyond 9000 hours and the UV lamp may no longer provide adequate disinfection of your water supply. The built in 365 day countdown timer displays the number of days remaining until lamp replacement is required. When countdown timer reaches 0 days an intermittent audible alarm will be activated and the Controller display will indicate alarm A3. In order to allow time to obtain a replacement UV lamp, the audible alarm can be silenced for 7 days by pressing and holding button on Controller for 2-5 seconds. After 7 days, alarm will sound again if lamp has not been replaced. This can be done a maximum of 4 times which allows up to 28 days to obtain a replacement UV lamp. After 4 times, the alarm can no longer be silenced until a replacement lamp is installed and the lamp life alarm is reset to 365 days.

Replacement UV lamps and quartz sleeves are available from an authorized dealer. Use only PUR® approved lamps and sleeves to ensure system performance. Replacement lamps and quartz sleeves are sold under the following model numbers:

Model Number:	Controller	Lamp/Sleeve Combo
PUV15S	BA-40S	PUVLQS17S
PUV25S	BA-40S	PUVLQS30S
PUV15H	BA-95H	PUVLQS40H
PUV25H	BA-95H	PUVLQS60H

1. Depressurize UV chamber by turning off the inlet water supply and open valve downstream of system. Then close outlet valve (Figure 16).
2. Unplug the Controller from the electrical outlet (Figure 17).
3. Allow at least 5 minutes for lamp to cool before removing (Figure 18).
4. Remove the VuCap® from the UV chamber and carefully disconnect the UV lamp from the lamp connector harness (Figure 19).
5. Carefully remove the UV lamp from the quartz sleeve by gently rotating the lamp free. Be sure to hold the lamp only by the ceramic ends.
6. Carefully insert the new UV lamp into the quartz sleeve and attach the lamp connector harness to the UV lamp.

Figure 16

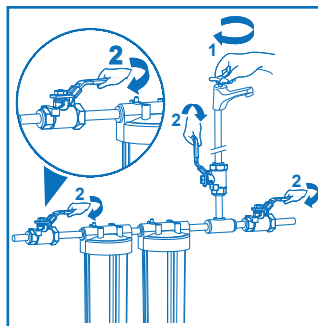


Figure 17

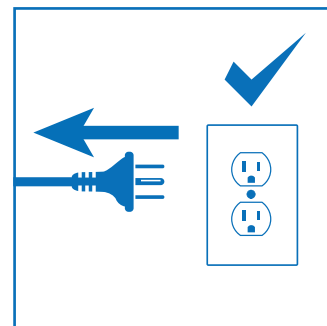


Figure 18

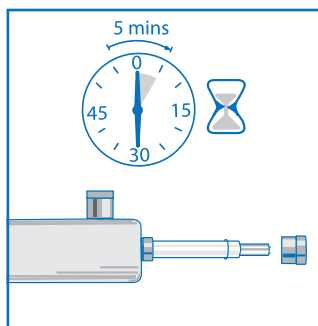
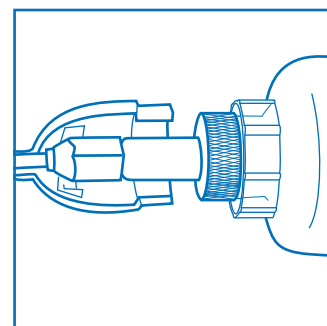


Figure 19



Lamp Installation and Replacement (continued):

7. Re-pressurize the system by slowly opening the water inlet valve (Figure 20).
8. Check the system for any leaks.
9. Plug Controller into the electrical outlet (Figure 21).
10. Ensure that the UV lamp is operating – the green power LED light should be illuminated, the red lamp failure LED light should be off and no audible alarm should be active.
11. The display will show the number of days until lamp replacement is required. If a new lamp was installed, press and hold the button on the Controller for 10 seconds to reset the lamp-life countdown timer.
12. Allow UV lamp to warm up for a minimum of 2 minutes before flushing water through the UV chamber.

Figure 20

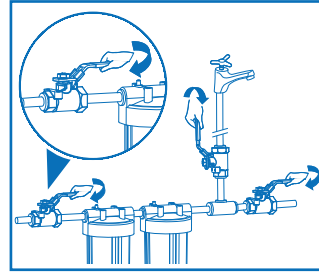
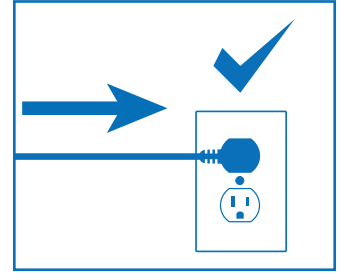


Figure 21



Quartz Sleeve Installation and Replacement:

Any mineral deposits or sediment build-up on the quartz sleeve will affect the system performance by decreasing the UV light transmitted through the quartz sleeve into the water column.

The proper maintenance and replacement of the pre-filtration required for the UV system will reduce the accumulation of mineral and sediment residue on the quartz sleeve. The quartz sleeve may be cleaned with a commercially available, non-abrasive, acidic scale remover and a lint free cloth. Cleaning of the quartz sleeve should be done on a regular basis to ensure maximum system performance. The amount of cleaning required will vary depending upon local water conditions and system pre-filtration.

All traces of the cleaning solution must be fully removed from the quartz sleeve before it is reinstalled in the system. Care should be taken to prevent any cleaning fluid from coming into contact with the inside surface of the quartz sleeve.

1. Depressurize UV chamber by turning off the inlet water supply and open valve downstream of system. Then close outlet valve (Figure 22).
2. Unplug the Controller from the electrical outlet (Figure 23).
3. Allow at least 5 minutes for lamp to cool before removing (Figure 24).
4. Remove the VuCap® from the UV chamber and carefully disconnect the UV lamp from the lamp connector harness.
5. Carefully remove the UV lamp from the quartz sleeve by gently rotating the lamp free. Be sure to hold the lamp only by the ceramic ends.
6. Drain water from the Stainless Steel UV Chamber.
7. Remove the retaining nut securing the quartz sleeve into the UV chamber.
8. Remove the quartz sleeve sealing O-ring.
9. Remove the quartz sleeve and clean as noted above (Figure 25).
10. Insert quartz sleeve into the UV chamber. Quartz sleeves should be replaced every 3 years for optimal performance.
11. Insert UV lamp into the quartz sleeve and attach the connector.
12. Slowly refill the UV chamber by opening the water supply just enough to fill the chamber with water (Figure 26).
13. Check the system for any leaks.
14. Apply power to the UV system (Figure 27).
15. Ensure that the UV lamp is operating by verifying the Controller green LED indicator is on and display is operational.

Figure 22

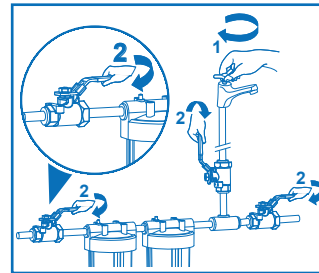


Figure 23

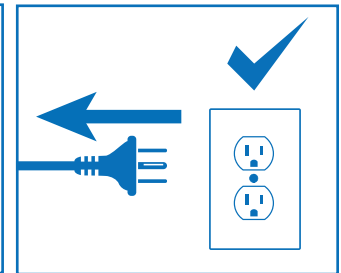


Figure 24

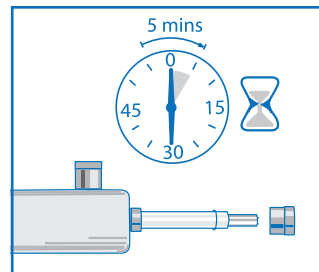


Figure 25

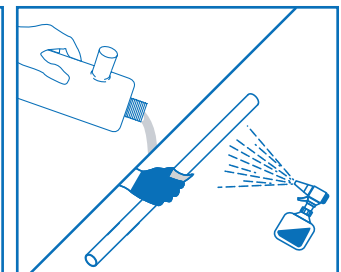


Figure 26

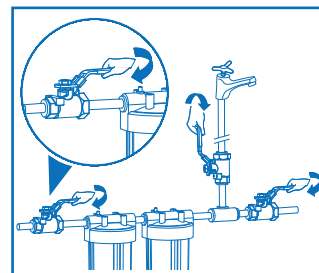
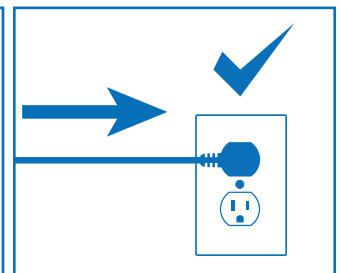


Figure 27



Troubleshooting Guide:

Problem	Possible Cause	Solution
Warm water output	Water sitting in UV reaction chamber and heating up due to infrequent use	Run tap for a short period of time.
Unit leaking water	Misaligned or cross-threaded connections on inlet/outlet ports	Reinstall to ensure a solid connection with ports. Inlet/outlet threads on UV chamber are NPT type and require thread sealant.
	Excessive water pressure	Install pressure regulator ahead of system.
	Water hammer* causing pressure spikes	Install a water hammer arrestor in system.
	Improperly sealed quartz sleeve o-ring	Re-align, apply o-ring grease and re-tighten retaining nut.
No power to UV lamp when system is plugged in	GFCI wall socket is tripped	Reset, following manufacturer's instructions provided with the outlet.
		Check socket with other appliances.
		Ensure UV chamber is grounded. Ensure all electrical ports/connections are dry.
System has power but UV lamp is not coming on (visible/audible alarm activated)	Lamp not installed correctly	Ensure lamp is installed correctly with electrical fitting (must be snug).
	Lamp failure	Replace UV lamp.
System is vibrating	Not mounted securely	Secure fasteners.
	Water hammer* causing vibrations	Install a water hammer arrestor in system.
Excessive heat generated	Not being allowed sufficient space for cooling	Clear space for cooling (min. 6-12" / 15-30 cm clearance around unit).
	Operated in an excessive ambient temperature	Unplug unit until temperature is within ambient operating conditions.
	Water temperature is too high	Ensure treatment is on cold water side only (prior to heating of water).

*Water hammer: Sudden closure of a control valve or stopping of a pump produces excessive pressure surges in a pipeline. These pressure surges can cause significant damage to equipment and/or appliances directly attached to the water line. Water hammer is usually noted due to the characteristic banging sounds when valves on the line are suddenly closed. Water hammer conditions must be immediately remedied, and damage to systems as a result of this condition are not covered under warranty.

Should service be required or you have any questions regarding how to use your PUR product, please contact Customer Service at: 1-877-447-4768 or customerservice@ghpgroupinc.com

Manufactured and warranted by GHP Group Inc.
USA: 6440 W. Howard St. Niles, IL 60714-3302
Canada: 271 Massey Rd. Guelph, Ontario, N1K 1B2

NSF Data Tags:

You must attach the following Class B tag to the UV system.

Class B System:

This system conforms to NSF/ANSI Standard 55 and CSA B483.1 for the supplemental bactericidal treatment of disinfected public drinking water or other drinking water that has been tested and deemed acceptable for human consumption by the state or local health agency having jurisdiction. The system is only designed to reduce normally occurring non-pathogenic nuisance microorganisms. Class B systems are not intended for the disinfection of contaminated water.

Always install and operate the unit in an environment where both air and water temperature will normally range between 36°F (2°C) and 104°F (40°C). See instruction manual for use conditions.

Lamp should be replaced every year (9000 Hrs.) Electronic Controller has built in 365 day countdown timer.

Warranty:

Limited Warranty:

This limited warranty is extended to the original retail purchaser of this filtration system and warrants against any defect in material and workmanship for a period of one (1) year from the date of retail sale. GHP Group, Inc., at its option, will either provide replacement parts or replace the unit, when properly returned to the retailer where purchased within one (1) year of retail purchase. (Shipping costs, labor costs, etc. are the responsibility of the purchaser.)

Duties of the Owner:

This filtration system must be installed and operated in accordance with the written instructions furnished with this system. This warranty shall not excuse the owner from properly maintaining this unit in accordance with the instructions. A bill of sale, canceled check or payment record must be kept to verify purchase date and establish warranty period. Original carton should be kept in case of warranty return of the unit.

What is Not Covered?

1. Damage caused by misuse, installation or use contrary to the owner's manual and safety guidelines.
2. Use of this product where water is microbiologically unsafe or of unknown quality.
3. Damage caused by a lack of normal maintenance and cleaning.
4. Use of non-OEM parts or accessories.
5. Damage caused in transit. Freight charges on warranty parts or products to and from the factory shall be the responsibility of the owner.

THIS LIMITED WARRANTY IS GIVEN TO THE PURCHASER IN LIEU OF ALL OTHER WARRANTIES, EXPRESSED OR IMPLIED, INCLUDING BUT NOT LIMITED TO THE WARRANTIES OF MERCHANTABILITY OF FITNESS FOR A PARTICULAR PURPOSE. THE REMEDY PROVIDED IN THIS WARRANTY IS EXCLUSIVE AND IS GRANTED IN LIEU OF ALL OTHER REMEDIES. IN NO EVENT WILL GHP GROUP, INC. BE LIABLE FOR INCIDENTAL OR CONSEQUENTIAL DAMAGES.

Some states/provinces do not allow limitations on how long an implied warranty lasts, so the above limitation may not apply to you. Some states/provinces do not allow the exclusion or limitation of incidental or consequential damages so the above limitation or exclusion may not apply to you.

Claims Handled as Follows:

1. Contact your retailer and explain the problem.
2. If the retailer is unable to resolve the problem, contact our Customer Service Dept. detailing the system model, the problem, and proof of date of purchase.
3. A representative will contact you. DO NOT RETURN THE UNIT TO GHP GROUP, INC. unless instructed by our Representative, or with written authorization.

This warranty gives you specific legal rights and you may also have other rights that vary from state/province to state/province.

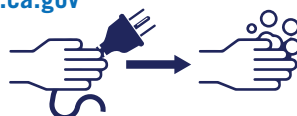
Product Registration:

To register your product, please visit: ghpgroupinc.com/product-registration.html and complete within (14) days of purchase.



Warning: This Product can expose you to chemicals including Diisononyl phthalate (DINP) which is known to the State of California to cause cancer and Mercury Compounds which is known to the State of California to cause reproductive harm.

For more information go to www.p65Warnings.ca.gov



In the event of a broken UV lamp, there may be possible exposure to mercury.
There are no known health hazards from mercury within an intact UV lamp.
After handling the electrical power cord, please wash your hands.

PUR®

Désinfection de l'eau aux rayons ultraviolets pour la maison entière

Manuel du propriétaire

PUV15S

PUV25S

PUV15H

PUV25H



Table des matières :

Précautions de sécurité.....	13	*Installation verticale optionnelle	16
Aperçu du produit.....	14	*Installation du système	17
Outils requis pour l'installation.....	14	Désinfection du système de distribution de l'eau domestique	18
À propos de votre système.....	15	Fonctionnement et entretien	18
Conditions de fonctionnement	15	Installation et remplacement de la lampe	19 - 20
Instructions d'installation.....	15 - 17	Installation et remplacement de la gaine de quartz.....	20
*Accessibilité, orientation et raccords.....	15	Guide de dépannage	21
*Ligne de dérivation et vanne de vidange optionnelles	16	Étiquettes de données NSF.....	22
*Installation horizontale.....	16	Garantie	23

Précautions de sécurité :

AVERTISSEMENT : L'installation de ce système aux rayons ultraviolets (UV) doit se conformer à toutes les lois et tous les règlements de plomberie et de services électriques étatiques, provinciaux ou régionaux en vigueur. L'installation par un plombier agréé est recommandée. Respectez toujours les avertissements et les instructions de sécurité suivants pour éviter toutes blessures ou tout dommage matériel.

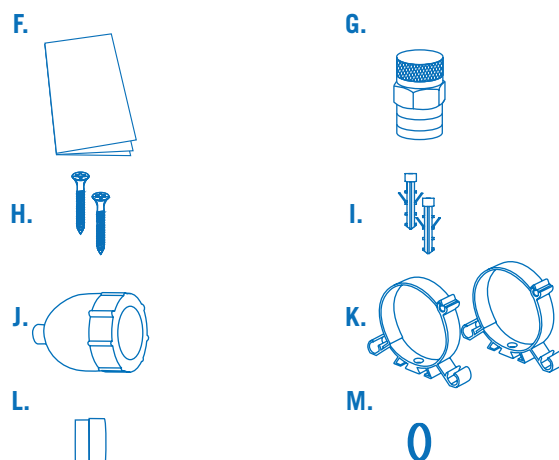
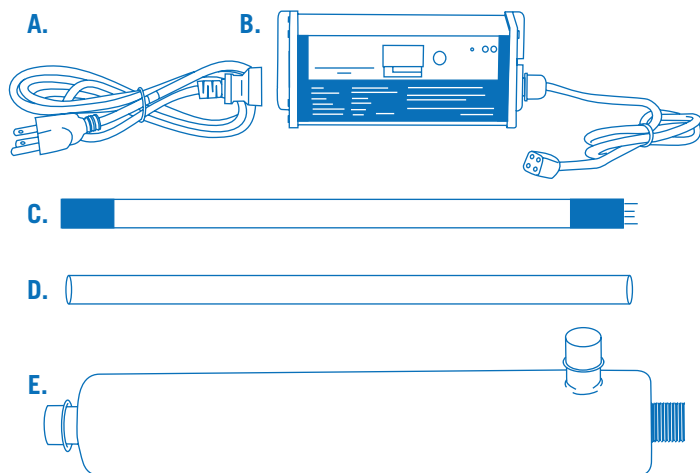
DANGER : La lampe à l'intérieur de l'appareil émet des rayons UV pouvant causer des blessures irréparables à la peau et aux yeux. Ne regardez jamais la lampe pendant que l'appareil est en marche.

- N'utilisez jamais votre système UV à moins qu'il n'ait d'abord été correctement mis à la terre afin d'éviter tout risque de choc électrique.
- Pour éviter tout choc électrique, ne branchez pas le système UV dans une prise qui n'est pas équipée d'un disjoncteur différentiel de fuite à la terre (DDFT/GFCI).
- Débranchez toujours le cordon d'alimentation avant d'installer, de nettoyer ou d'effectuer d'autres travaux d'entretien de l'appareil.
- Fermez toujours votre arrivée d'eau avant d'effectuer tout entretien de l'appareil.
- N'essayez pas de réparer cet appareil à moins d'être un technicien de service agréé, sinon vous pourriez vous blesser ou gravement endommager l'appareil.
- N'utilisez jamais cet appareil dans un environnement riche en oxygène ou à moins de 6 pieds (2 mètres) de toute source d'oxygène.
- Si les températures tombent en dessous du point de congélation (0° C/32° F), videz toute l'eau de l'appareil, égouttez-le et débranchez toute la plomberie et bouchez les ouvertures d'entrée et de sortie.
- N'essayez pas d'installer votre système UV, de l'utiliser, de le nettoyer ou d'effectuer un entretien sans avoir lu et bien compris tous les avertissements et les instructions de sécurité contenus dans ce manuel et sur les étiquettes apposées sur le système.
- N'essayez pas de démarrer le système UV s'il a été visiblement endommagé. Prenez le temps de l'inspecter attentivement pour vous assurer qu'il n'y ait pas de dommages physiques avant de l'utiliser.
- Ne démarrez pas l'appareil si le système est humide ou s'il y a des fuites visibles.
- Le système UV est conçu pour une utilisation à l'intérieur uniquement et ne doit pas être exposé à l'extérieur.
- Installez et utilisez toujours l'appareil dans un environnement où la température de l'air et de l'eau se situe entre 36 °F (2 °C) et 104 °F (40 °C)..

Le système UV a été testé et certifié selon les normes NSF/ANSI 55 et CSA B483.1 pour le traitement bactéricide supplémentaire de l'eau potable publique désinfectée ou d'autres eaux potables qui ont été testées et jugées acceptables pour la consommation humaine par l'État ou l'organisme local de santé en vigueur. Le système est uniquement conçu pour réduire les micro-organismes nuisibles non pathogènes qui sont naturellement présents. Les systèmes de classe B ne sont pas destinés au traitement de l'eau contaminée.

Aperçu du produit :

Le système de traitement de l'eau UV a été conçu pour respecter des normes strictes et a subi un contrôle de la qualité à l'usine avant d'être emballé. Veuillez consulter ce manuel dans son intégralité pour obtenir une explication détaillée du fonctionnement de l'appareil et vous assurer que les composants suivants sont inclus. Pour que le système fonctionne de manière optimale, il faut acheter tous les composants de rechange directement auprès d'un concessionnaire autorisé ou en ligne à www.ghpgroupinc.com. L'utilisation de composants achetés auprès d'autres vendeurs entraînera une annulation de la garantie et pourrait réduire les capacités de l'appareil.



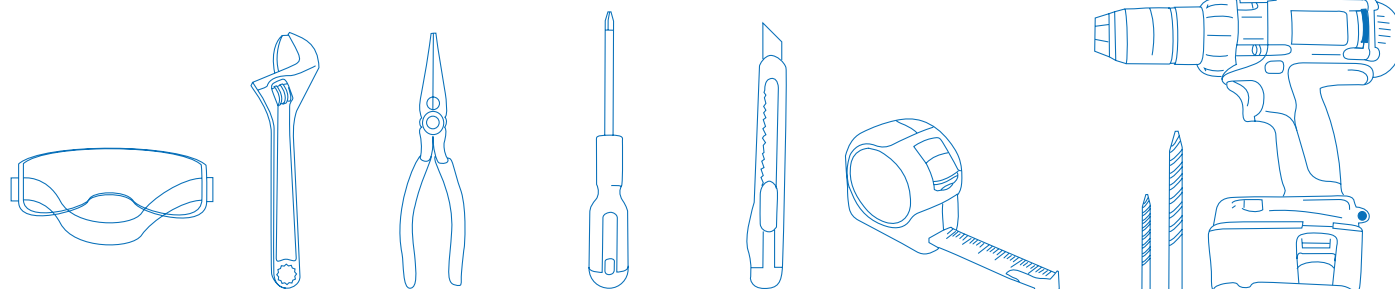
ART.	Description	QTÉ
A	Cordon d'alimentation	1
B	Contrôleur électronique	1
C	Lampe UV	1
D	Manchon de quartz	1
E	Chambre de réaction UV en acier inoxydable	1

ART.	Description	QTÉ
F	Le manuel du propriétaire	1
G	Restricteur de débit	1
H	Vis murales	2
I	Ancre murales	2
J	VuCap®	1
K	Pinces de montage de cylindre UV	2
L	Écrou de retenue	1
M	Joint torique d'étanchéité de manchon en quartz	1

AVERTISSEMENT : Les lampes doivent être remplacées après 12 mois de vie afin d'assurer une désinfection adéquate de votre eau. Nettoyez fréquemment la gaine de quartz pour obtenir une performance optimale.

Un préfiltre nominal d'au moins 5 µ est recommandé en amont (avant) du point d'installation du système UV. Comme l'efficacité du système UV dépend de la pénétration de la lumière UV dans le courant d'eau, les particules présentes dans l'eau peuvent diminuer la capacité de désinfection, et potentiellement contaminer l'eau. Un préfiltre de 5 microns et un filtre à carbone de 5 microns sont donc fournis avec le système (systèmes de filtration vendus séparément).

Outils requis pour l'installation :



Lunettes de protection

Clé réglable

Pinces

Tournevis Phillips

Couteau utilitaire

Ruban à mesurer

Perceuse et forets

À propos de votre système :

Caractéristiques :

Normes NSF/ANSI 55 de classe B et CSA B483.1

Numéro de modèle :		PUV15S	PUV25S	PUV15H	PUV25H
Débit GPM US (LPM)*		7,4 (28,2)	12,3 (46,6)	15,5 (58,7)	25,6 (96,9)
Dimensions	Contrôleur	8po x 2po x 3po(20,3cm x 5,1cm x 7,6cm)			
	Diamètre de la chambre	3,5po (8,9 cm)	3,5po (8,9 cm)	3,5po (8,9 cm)	3,5po (8,9 cm)
	Longueur de la chambre	18,5po (47 cm)	28po (71,1 cm)	18,5po (47 cm)	28po (71,1 cm)
Taille de l'ouverture I/E		3/4po FNPT - 1,0po MNPT			
Pression de fonctionnement		15-125psi (103-862kPa)			
Électrique	Voltage	100-240, 50/60Hz			
	Consommation électrique (W)	21	35	46	67
	Watts de la lampe (W)	17	30	40	60
Matériau de la chambre		304SS			

* Débit maximal selon la norme NSF/ANSI 55 de classe B

Système testé et certifié par NSF International selon les normes NSF/ANSI 55 et CSA B483.1 en matière de performance de désinfection, classe B.

Conditions de fonctionnement :

La qualité de l'eau aura une incidence sur la performance de votre système UV. Les niveaux suivants devraient être utilisés comme ligne directrice pour les exigences en matière de prétraitement de l'eau entrante avant le traitement UV :

Fer < 0,3 ppm (0,3 mg/L)
Turbidité < que 1 NTU
Tanins < 0,1 ppm (0,1 mg/L)
Manganèse < 0,05 ppm (0,05 mg/L)
Dureté < 120 ppm (7 grains par gallon)
Transmission UV > 75 %

Si vous utilisez des eaux de surface non traitées ou des eaux souterraines non traitées comme source d'eau alors l'approvisionnement en eau pour la consommation doit être validé par l'organisme de santé provincial, national ou local en vigueur.

Si les résultats des tests indiquent que : (1) l'un des niveaux de contaminants ci-dessus est excessif ou (2) les normes de santé en vigueur en ce qui concerne l'eau potable ne sont pas respectées, des dispositifs supplémentaires de prétraitement de l'eau doivent être mis en place pour éliminer tous les contaminants présentant des risques pour la santé. L'eau non municipale devrait être testée régulièrement afin d'assurer l'efficacité du traitement.

Instructions d'installation :

Accessibilité, orientation et raccords :

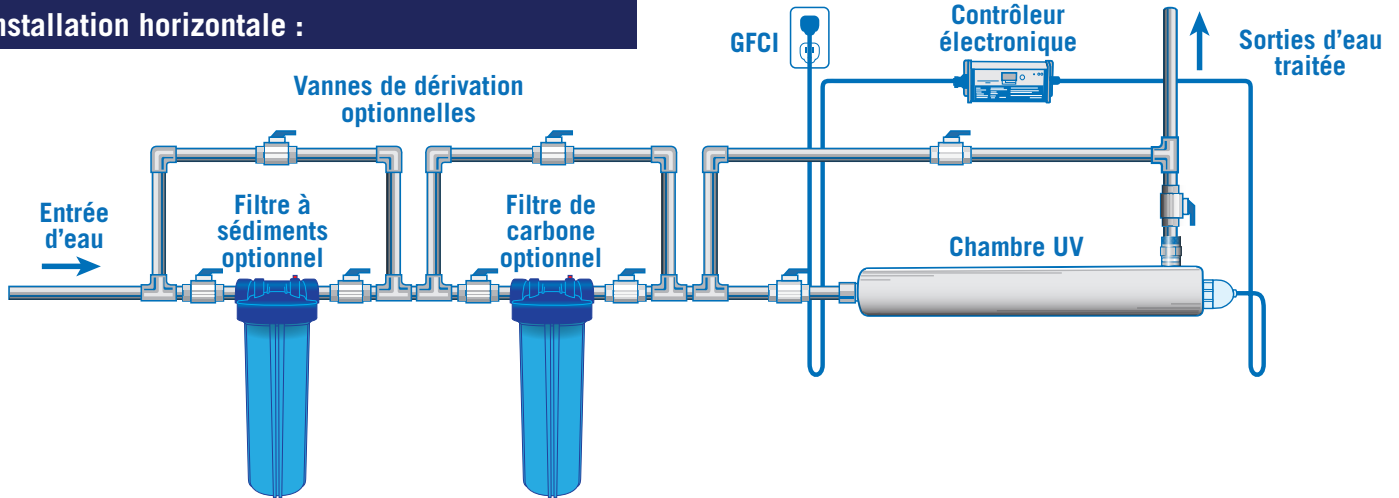
Installez toujours votre système UV dans un endroit qui offre suffisamment d'espace pour accéder à et pour retirer la lampe et la gaine de quartz de la chambre UV. Pendant l'entretien, il peut être nécessaire d'enlever la lampe UV et la gaine de quartz. Un dégagement minimum de 16 po (41 cm) doit être prévu. Comme le système UV génère de la chaleur pendant l'utilisation, assurez-vous bien qu'aucun élément combustible n'entre en contact avec le système ou ne se situe à proximité de ce dernier. Il est recommandé de laisser un espace libre d'au moins 6 po (15 cm) tout autour du système UV pour aider le refroidissement de l'appareil. Cela prolongera aussi la durée de vie de l'appareil. Installez les contrôleurs électroniques dans des zones où ils ne seront pas mouillés pendant l'entretien ou à partir de la condensation provenant des tuyaux en cuivre, etc.

Instructions d'installation (suite) :

Conduite de dérivation et vanne de vidange optionnelles :

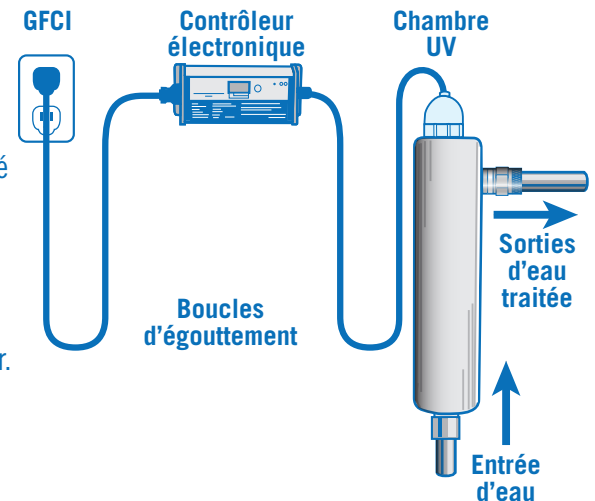
Le diagramme ci-dessous montre l'installation d'un système de désinfection typique et les composants facultatifs qui peuvent être utilisés dans son installation. L'utilisation d'un dispositif de dérivation est recommandée dans le cas où le système nécessite un entretien séparé. Pour éviter une contamination possible de l'eau dans la tuyauterie, ce qui peut présenter un danger pour la santé, n'utilisez pas la conduite ou la vanne de dérivation si votre source d'eau est de l'eau non traitée de surface ou souterraine. Si votre source d'eau est de l'eau municipale traitée, l'utilisation de la conduite et de la vanne de dérivation maintiendra un flux non-interrompu d'eau traitée en cas de dysfonctionnement du système. L'installation d'une vanne de vidange, bien qu'elle ne soit pas nécessaire, permettra au technicien de service de vider le système d'eau avant d'effectuer un service sur l'appareil.

Installation horizontale :

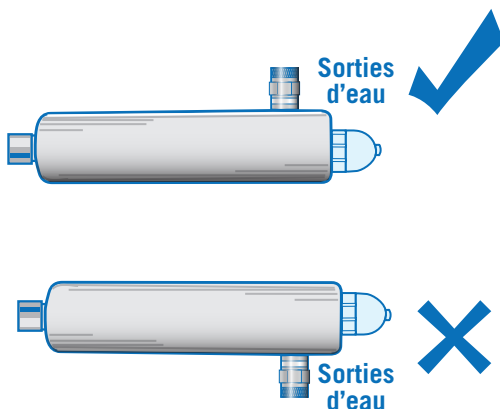


Installation verticale optionnelle :

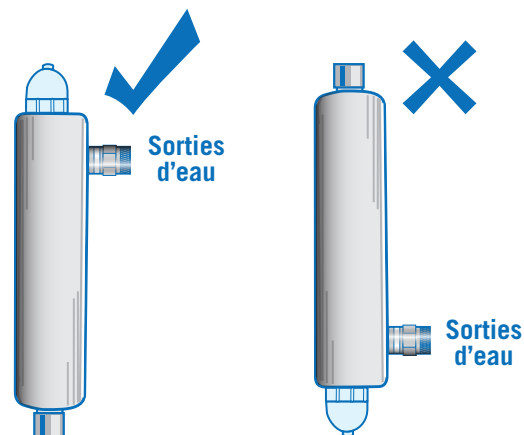
- Les systèmes UV PUR® peuvent être installés en position verticale avec l'ouverture de sortie en haut du système afin d'éliminer tout air emprisonné et avec l'ouverture d'entrée en bas du système, comme le montre le diagramme.
- Assurez-vous que le contrôleur est bien sec et loin de toute condensation. Utilisez des boucles d'égouttement pour empêcher l'humidité de couler sur le harnais de la lampe ou sur le cordon d'alimentation et dans le contrôleur. Le contrôleur électrique doit rester sec.
- Avant l'installation, retirez les bouchons de protection des ouvertures d'entrée et de sortie de la chambre de réaction UV.



Installation horizontale :



Installation verticale :



Instructions d'installation (suite) :

Installation du système :

AVERTISSEMENT : Lors de la manipulation des lampes UV et des gaines de quartz, utilisez toujours des gants souples ou un chiffon pour éviter les dépôts d'huile à la surface. Les dépôts d'huile provenant de vos mains peuvent créer des points chauds sur la surface qui peuvent entraîner une défaillance prématurée de la lampe.

1. Choisissez un emplacement approprié et assurez-vous que le montage du système UV peut se faire dans le bon sens. Afin d'installer ou d'enlever la lampe UV et la gaine de quartz de la chambre en acier inoxydable, assurez-vous que le dégagement minimum est le double de la longueur totale de l'appareil (figure 1).
2. Attachez la pince de fixation à la structure d'installation à l'aide d'une vis appropriée pour le poids et le matériau de la surface (figure 2).
3. Placez la chambre à réaction UV dans la pince de fixation et sécurisez-la (figure 3).
4. Installez toutes les conduites d'entrée/sortie dans le système (y compris toutes les préfiltrations et vannes décrites ci-dessus).

REMARQUE : Pour satisfaire aux exigences de la norme NSF 55, le limiteur de débit inclus dans le système UV doit être utilisé pour contrôler le débit d'eau dans la chambre UV. Le limiteur de débit est conçu pour se brancher sur les orifices d'entrée ou de sortie à l'aide d'un ruban d'étanchéité Téflon sur les raccords NPT. Dans la plupart des cas, le système doit avoir une vanne d'arrêt manuelle à l'entrée. L'eau coule dans la direction de la flèche située sur l'étiquette du limiteur de débit.

5. Installez le contrôleur électronique dans un endroit sec près de la chambre de réaction UV. Installez le cordon d'alimentation et le harnais de lampe à l'aide des boucles d'égouttement pour empêcher l'humidité de couler le long du câble et dans le contrôleur (figure 4).
6. Assurez-vous que la gaine de quartz est intacte et que le joint torique, l'anneau de rétention VuCap®, et l'écrou de rétention sont en position et sont bien serrés. Ne pas serrer excessivement les écrous de rétention (figure 5).
7. Branchez les quatre broches de la lampe UV à la prise de lampe UV sur le contrôleur (figure 6).
8. Insérez la lampe UV dans la gaine de quartz et fixez le couvercle protecteur VuCap® (figures 7 et 8).

Figure 1

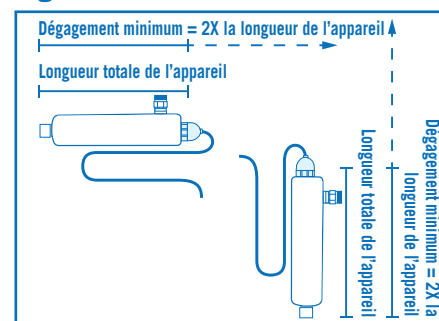


Figure 2

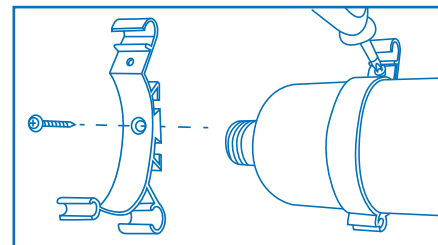


Figure 3

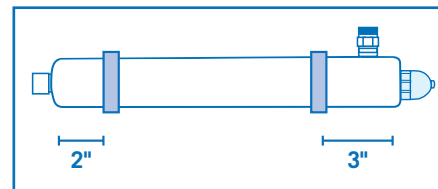


Figure 4

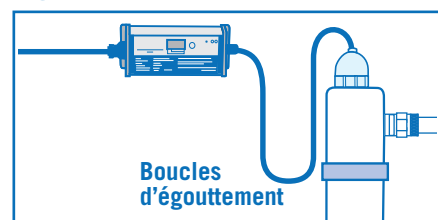


Figure 5

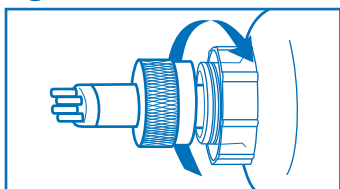


Figure 6

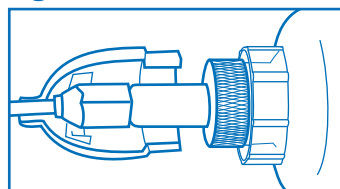


Figure 7

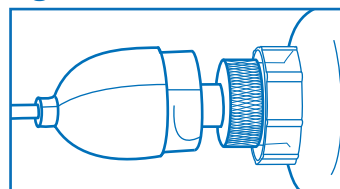
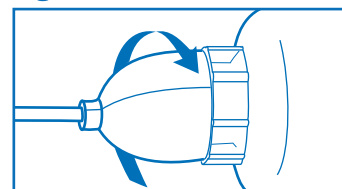
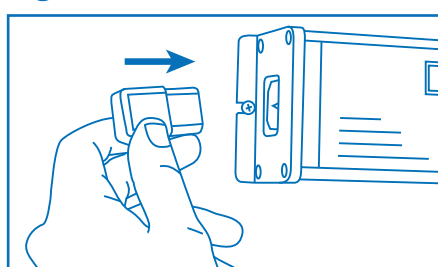


Figure 8



9. Ouvrez lentement les vannes d'alimentation en aval et en amont du système UV et assurez-vous qu'il n'y a pas de fuites d'eau.
10. Branchez le contrôleur électronique à la prise murale et assurez-vous que l'écran du contrôleur (indiquant la durée de vie de la lampe) et le voyant DEL vert s'allument (figure 9). La lumière de la lampe UV doit également être visible à travers le VuCap® mais elle peut ne pas être visible quand il y a beaucoup de lumière dans la pièce.

Figure 9



Votre système de désinfection UV est maintenant prêt à être utilisé.

Si votre appareil n'est utilisé que de façon saisonnière, il doit être entreposé correctement pendant l'hiver ou lorsqu'il n'est pas utilisé. Débranchez votre appareil et videz toute l'eau du système.

Avant de rebrancher le système, il est fortement recommandé de désinfecter le réseau d'eau domestique.

Désinfection du système de distribution de l'eau domestique :

La procédure suivante est recommandée lorsque vous utilisez de l'eau non municipale. Pour les systèmes installés dans un réseau d'eau municipale, la désinfection de la tuyauterie se fait à la discrétion de l'utilisateur. Pour désinfecter le système de distribution, procédez comme suit. Assurez-vous que le système UV reste allumé pendant tout le processus :

1. Prenez connaissance des différentes vannes d'arrêt dans votre système. Il est important de comprendre quelles positions de vanne vous permettent d'isoler le système UV.
2. Fermez l'approvisionnement principal en eau en amont de tout boîtier de filtre, et dépressurisez les conduites d'eau domestique.

REMARQUE : La configuration du système de plomberie peut varier. Par conséquent les images sont fournies seulement comme référence visuelle.

3. Fermez les vannes nécessaires pour isoler les préfiltres UV (figure 10). Retirez la cartouche de filtre la plus proche du système UV (figure 11). Remplissez le puisard de 1 à 2 tasses d'eau de Javel domestique (5,25 %).
4. Réinstallez le puisard (sans filtre) et pressurisez de nouveau le système lentement (figure 13). Ouvrez chaque robinet et laissez couler l'eau froide jusqu'à ce que vous puissiez sentir le chlore dans l'eau. Fermez le robinet et répétez cette procédure avec tous les autres robinets de la maison, y compris les robinets d'eau chaude. Assurez-vous d'effectuer cette procédure pour tous les robinets extérieurs, les pommes de douche et les conduites de lave-vaisselle/machine à laver.
5. Laissez le produit dans les conduites pendant au moins 30 minutes (figure 14).
6. Réinstallez la cartouche du préfiltre et rincez chaque conduite d'eau comme décrit ci-dessus jusqu'à ce que vous ne sentiez plus d'odeur de chlore (figure 15).

Il est absolument essentiel que le système de distribution d'eau soit entièrement vidé de tout résidu de chlore avant d'utiliser le système. **SOYEZ EXTRÊMEMENT PRUDENT** car le niveau de chlore dans le système est environ 25 à 50 fois supérieur au niveau de chlore dans l'eau municipale. Ceci est nécessaire pour la désinfection de la tuyauterie domestique. Il est extrêmement important que les procédures de rinçage appropriées soient suivies pour tous les robinets avant l'utilisation du système.

REMARQUE : L'ajout d'un produit de désinfection contenant du chlore dans un chauffe-eau qui a été alimenté dans le passé avec de l'eau dure non traitée avec des niveaux élevés de contaminants (fer, manganèse et d'autres matières organiques, etc.) entraînera l'oxydation de ces contaminants. Si vous pensez que ces conditions peuvent s'appliquer à votre installation, un rinçage complet du réservoir d'eau chaude doit être fait pour éviter que les composants oxydés n'entrent dans les conduites d'eau.

Figure 10

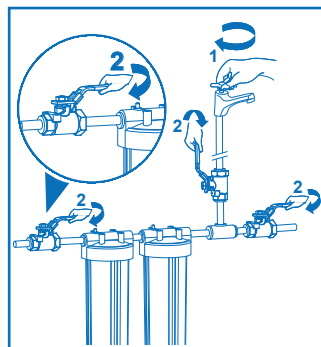


Figure 11

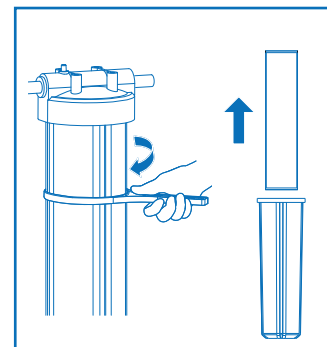


Figure 12

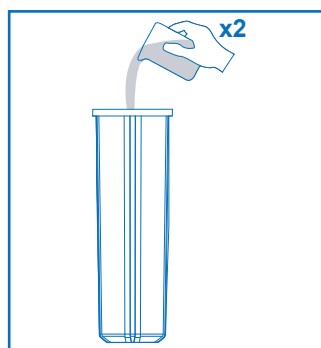


Figure 13

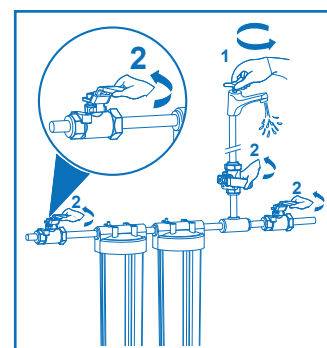


Figure 14

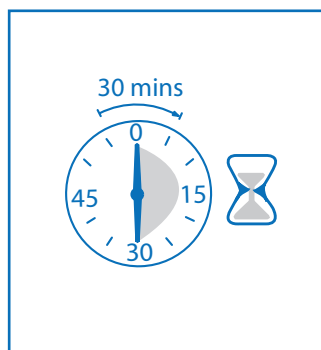
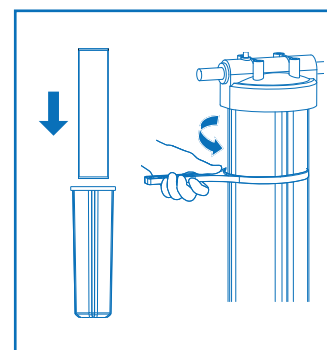


Figure 15



Fonctionnement et entretien :

Le système UV doit être allumé en permanence pour assurer la protection de votre système d'eau. Pendant le fonctionnement normal du système, le voyant DEL vert du contrôleur sera allumé et l'écran indiquera le nombre de jours restants avant de devoir remplacer la lampe. Lorsque l'appareil n'est pas utilisé, il est normal que la température de l'eau dans la chambre en acier inoxydable augmente. Il faut simplement rincer la conduite d'eau pour que la température retombe. Dans un environnement humide, vous pourriez remarquer la présence de gouttes de condensation ou de gouttelettes d'eau à la surface de la chambre de réaction UV. La formation de condensation dans des conditions de grande humidité est normale. Ne laissez pas la condensation couler sur le contrôleur. Les instructions suivantes ont été fournies pour vous aider à effectuer un entretien général du système, un remplacement de la lampe UV et un nettoyage/remplacement des gaines de quartz. Toutes les autres réparations du système doivent être effectuées par un plombier ou un technicien agréé.

AVERTISSEMENT : N'essayez jamais d'effectuer un entretien sur le système UV à moins d'être un technicien agréé, car vous pourriez endommager le système.

Installation et entretien de la lampe :

AVERTISSEMENT : La lampe chauffe après une utilisation continue et peut vous brûler si vous la touchez. Débranchez l'appareil et laissez la lampe refroidir pendant au moins 5 minutes avant de la retirer. N'allumez pas la lampe UV à l'extérieur de la chambre UV. La lampe de l'appareil émet une puissante lumière à rayons ultraviolets qui peut causer des dommages permanents à la peau et aux yeux. Ne regardez jamais la lampe directement lorsque l'appareil est allumé. Manipulez la lampe UV seulement en touchant les extrémités. Ne touchez pas la surface en verre de la lampe UV avec vos doigts. Si la surface de la lampe devient sale, utilisez un chiffon propre sans peluche et de l'alcool isopropylique pour enlever toute saleté.

Votre système de désinfection UV est doté d'un indicateur de défaillance de la lampe qui est visible et audible. En cas de défaillance de la lampe UV, le voyant DEL rouge clignotera et vous entendrez un bip sonore qui proviendra du contrôleur électronique de l'appareil. Le compte à rebours indiquant la durée de vie de la lampe cessera de diminuer lorsqu'il est en mode alarme. Veuillez noter que si ces conditions se produisent et que vous utilisez une source d'eau non municipale, vous devrez immédiatement arrêter d'utiliser cette eau comme source d'eau potable jusqu'à ce que la lampe soit remplacée et que la désinfection de toutes les conduites de distribution soit terminée.

La lampe à rayons ultraviolets a une durée de vie approximative d'un an (9 000 heures). La lampe UV continuera à fonctionner au-delà de 9 000 heures, mais la production UV diminue rapidement au-delà de 9 000 heures et la lampe UV peut ne plus désinfecter adéquatement votre approvisionnement en eau. Le compte à rebours de 365 jours affiche le nombre de jours restants jusqu'à ce que le remplacement de la lampe soit nécessaire. Lorsque le compte à rebours affiche 0 jours restants, une alarme sonore intermittente sera activée et l'alarme « A3 » sera affichée sur l'écran. Afin de vous laisser le temps de vous procurer une lampe UV de remplacement, vous pouvez mettre l'alarme sonore en mode silencieux pendant 7 jours en appuyant et en maintenant le bouton sur l'écran pendant 2 à 5 secondes. Après 7 jours, l'alarme retentira à nouveau si la lampe n'a pas été remplacée. Vous pourrez mettre en mode silencieux 4 fois maximum. Cela vous donne jusqu'à 28 jours pour vous procurer une lampe UV de remplacement. Après 4 fois, l'alarme ne peut plus être mise en mode silencieux. Elle retentira jusqu'à ce qu'une lampe de remplacement soit installée et jusqu'à ce que le compte à rebours indiquant la durée de vie de la lampe soit remis à 365 jours.

Les lampes UV et les gaines de quartz de rechange sont disponibles auprès d'un concessionnaire agréé. Utilisez uniquement les lampes et les gaines approuvées PUR® pour assurer une performance optimale du système. Les lampes et les gaines de quartz de rechange sont vendues sous les numéros de modèles suivants :

Numéro de modèle	Contrôleur	Combo Lampe/Gaine
PUV15S	BA-40S	PUVLQS17S
PUV25S	BA-40S	PUVLQS30S
PUV15H	BA-95H	PUVLQS40H
PUV25H	BA-95H	PUVLQS60H

1. Dépressurisez la chambre UV en fermant l'alimentation en eau et la vanne ouverte en aval du système. Fermez ensuite la vanne de sortie (figure 16).
2. Débranchez le contrôleur de la prise électrique (figure 17).
3. Laissez refroidir au moins 5 minutes avant de retirer la lampe (figure 18).
4. Retirez le VuCap® de la chambre UV et déconnectez la lampe UV du harnais du connecteur de la lampe avec soin (figure 19).
5. Retirez soigneusement la lampe UV de la gaine de quartz en faisant tourner doucement la lampe jusqu'à ce qu'elle soit libérée. Assurez-vous de tenir la lampe seulement par les extrémités en céramique.
6. Insérez doucement la nouvelle lampe UV dans la gaine de quartz et attachez le harnais de connecteur de lampe à la lampe UV.

Figure 16

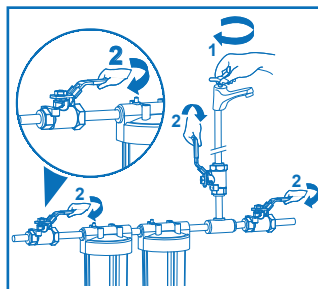


Figure 17

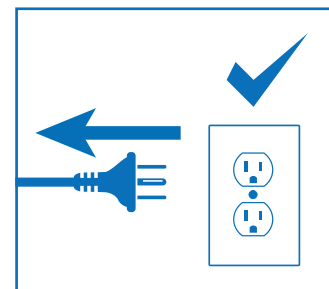


Figure 18

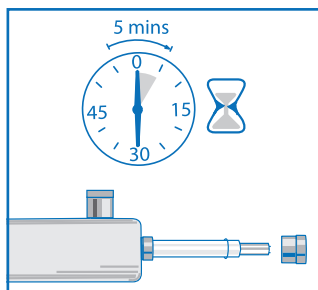
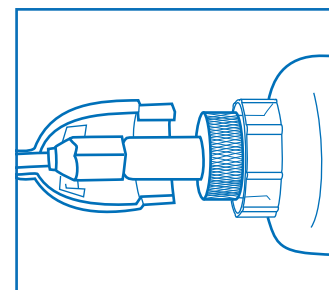


Figure 19



Installation et entretien de la lampe (suite) :

- Pressurisez de nouveau le système en ouvrant lentement la vanne d'entrée d'eau (figure 20).
- Vérifiez s'il y a des fuites dans le système.
- Branchez le contrôleur dans la prise électrique (figure 21).
- Assurez-vous que la lampe UV fonctionne – le témoin vert DEL doit être allumé, le témoin rouge DEL indiquant une défaillance de la lampe doit être éteint et aucune alarme sonore ne doit être entendue.
- Le nombre de jours restants sera affiché jusqu'à ce que le remplacement de la lampe soit nécessaire. Si une nouvelle lampe a été installée, appuyez et maintenez le bouton sur le contrôleur pendant 10 secondes pour réinitialiser le compte à rebours indiquant la durée de vie de la lampe.
- Laissez la lampe UV chauffer pendant au moins 2 minutes avant de faire circuler l'eau dans la chambre UV.

Figure 20

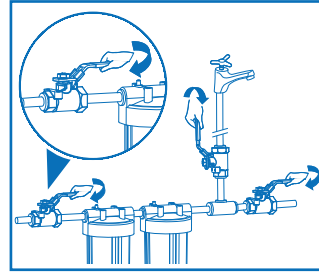
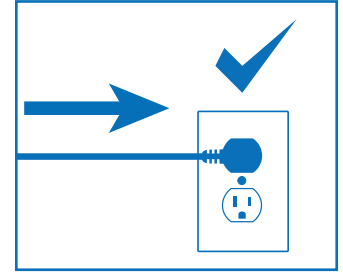


Figure 21



Installation et remplacement de la gaine de quartz :

Tout dépôt minéral ou accumulation de sédiments dans la gaine de quartz aura un effet sur la performance du système en diminuant la lumière UV transmise par la gaine de quartz dans la colonne d'eau. Le bon entretien et remplacement de la préfiltration requise pour le système UV permettront de réduire l'accumulation de résidus minéraux et de sédiments dans la gaine de quartz. La gaine de quartz peut être nettoyée à l'aide d'un solvant non corrosif disponible en magasin et d'un chiffon sans peluche. Le nettoyage de la gaine de quartz doit être effectué régulièrement afin d'assurer une bonne performance du système. La fréquence de nettoyage requis varie en fonction de la qualité de l'eau de votre région et de la préfiltration du système. Toute trace de produit de nettoyage doit être complètement enlevée de la gaine de quartz avant que la gaine ne soit réinstallée dans le système. Les produits d'entretien ne devraient pas entrer en contact avec la surface intérieure de la gaine de quartz.

- Dépressurisez la chambre UV en fermant l'entrée d'eau et la vanne ouverte en aval du système. Fermez ensuite la vanne de sortie (figure 22).
- Débranchez le contrôleur de la prise électrique (figure 23).
- Laissez refroidir au moins 5 minutes avant de retirer la lampe (figure 24).
- Retirez le VuCap® de la chambre UV et débranchez la lampe UV du harnais du connecteur de la lampe avec soin.
- Retirez soigneusement la lampe UV de la gaine de quartz en faisant tourner doucement la lampe jusqu'à ce qu'elle soit libérée. Assurez-vous de tenir la lampe seulement par les extrémités en céramique.
- Videz l'eau de la chambre UV en acier inoxydable.
- Retirez l'écrou de rétention sécurisant la gaine de quartz dans la chambre UV.
- Retirez le joint torique de la gaine de quartz.
- Retirez la gaine de quartz et nettoyez comme indiqué ci-dessus (figure 25).
- Insérez la gaine de quartz dans la chambre UV. Les gaines de quartz doivent être remplacées tous les 3 ans pour une performance optimale.
- Insérez la lampe UV dans la gaine de quartz et branchez le raccord.
- Remplissez lentement la chambre à UV en ouvrant peu à peu l'alimentation en eau juste assez pour remplir d'eau la chambre à UV (figure 26).
- Vérifiez s'il y a des fuites dans le système.
- Mettez en marche le système UV (figure 27).
- Assurez-vous que la lampe UV fonctionne en vérifiant que le voyant vert DEL est allumé et que l'écran fonctionne.

Figure 22

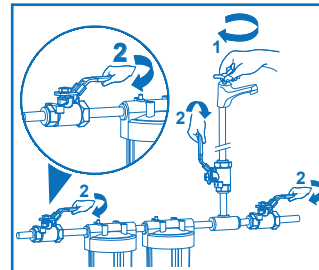


Figure 23

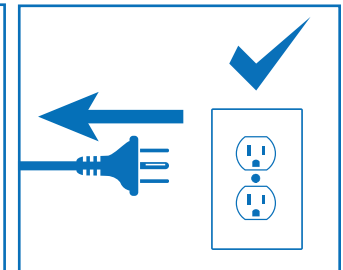


Figure 24

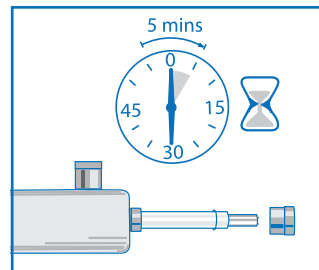


Figure 25

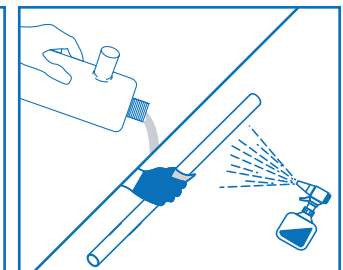


Figure 26

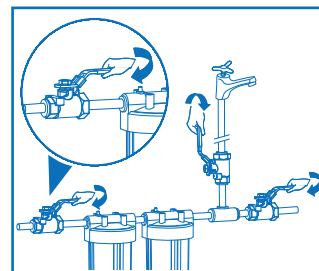
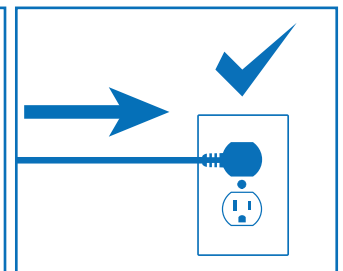


Figure 27



Problème	Cause éventuelle	Solution
L'eau tiède sort du système	L'eau reste dans la chambre de réaction UV et chauffe en raison d'une utilisation peu fréquente	Ouvrez le robinet pour faire couler l'eau pendant quelques minutes.
Fuite d'eau de l'appareil.	Raccords mal alignés ou de travers ou mal branchés dans les bouches d'entrée ou de sortie	Réinstallez les raccords pour assurer qu'ils sont bien branchés dans les orifices. Les fils d'entrée/sortie dans la chambre UV sont de type NPT et nécessitent un produit d'étanchéité.
	Pression excessive de l'eau	Installez le régulateur de pression devant le système.
	Un coup de bélier* cause des points de pression	Installez un dispositif anti-bélier dans le système.
	Joint torique de la gaine de quartz mal scellé	Réalignez, appliquez de la graisse au joint torique et resserrez à nouveau l'écrou de rétention.
La lampe UV ne s'allume pas lorsque le système est branché	La prise murale DDFT s'est déclenchée	Réinitialisez suivant les instructions du fabricant fournies avec la prise.
		Vérifiez la prise en branchant d'autres appareils.
		Assurez-vous que la chambre UV est mise à la terre. Assurez-vous que tous les orifices/raccords électriques sont secs.
Le système est alimenté, mais la lampe UV ne s'allume pas (alarme visible /sonore activée)	Lampe non installée correctement	Assurez-vous que la lampe est installée correctement avec une installation électrique (doit être bien ajustée/serrée).
	Défaillance de la lampe	Remplacez la lampe UV.
Le système vibre.	Non installé de manière sécuritaire	Vérifiez les fixations et réinstallez-les au besoin.
	Coup de bélier* entraînant des vibrations	Installez un dispositif anti-bélier dans le système.
Chaleur excessive générée	Pas suffisamment de dégagement qui permet le refroidissement	Prévoyez un espace libre pour le refroidissement (dégagement de 6 à 12 po/15 à 30 cm minimum autour de l'appareil).
	La température ambiante excessive	Débranchez l'unité jusqu'à ce que la température soit ambiante.
	La température de l'eau est trop élevée	Assurez-vous que le traitement se fait seulement sur l'eau froide (avant le chauffage de l'eau).

*Coup de bélier : La fermeture soudaine d'une vanne de commande ou l'arrêt d'une pompe produisent des surtensions excessives dans un tuyau. Ces surtensions peuvent causer des dommages importants à l'équipement ou aux appareils directement branchés à la conduite d'eau. En général, on identifie un coup de bélier en raison des bruits caractéristiques de claquement qui se font quand les vannes dans la conduite se ferment soudainement. Les conditions qui créent le coup de bélier doivent être immédiatement adressées, et les dommages causés par ce problème ne sont pas couverts par la garantie.

Si un entretien de votre système est nécessaire ou si vous avez des questions sur comment utiliser votre produit PUR, veuillez contacter le service à la clientèle au : 1-877-447-4768 ou customerservice@ghpgroupinc.com

Fabriqué et garanti par GHP Group Inc.
 États-Unis : 6440 W. Howard St. Niles, IL 60714-3302
 Canada: 271 Massey Rd. Guelph, Ontario, N1K 1B2

Vous devez fixer l'étiquette Classe B au système UV.

Système de Classe B :

Ce système se conforme aux normes NSF/ANS 55 et CSA B483.1 pour le traitement bactéricide supplémentaire de l'eau potable publique désinfectée ou d'autres eaux potables qui ont été testées et jugées acceptables pour la consommation humaine par l'État ou l'organisme local de santé en vigueur. Le système est uniquement conçu pour réduire les micro-organismes nuisibles non pathogènes qui sont naturellement présents. Les systèmes de classe B ne sont pas prévus pour la désinfection de l'eau contaminée.

Installez et utilisez toujours l'appareil dans un environnement où la température de l'air et de l'eau se situe entre 36 °F (2 °C) et 104 °F (40 °C). Référez-vous aux instructions du manuel pour voir les conditions d'utilisation.

La lampe doit être remplacée chaque année (9 000 heures.) Le contrôleur électronique est doté d'un compte à rebours de 365 jours.

Garantie

Limited Warranty:

Cette garantie limitée est destinée à l'acheteur initial de ce distributeur d'eau et garantit contre tout défaut de matériel et de fabrication pour une période d'un (1) an à compter de la date de vente au détail. GHP Group Inc., à sa seule discrétion, fournira soit des pièces de rechange, soit remplacera l'unité si elle est bien retournée au détaillant original où elle a été achetée dans une période d'un (1) an après l'achat. (Les frais d'expédition, les coûts de main-d'œuvre, etc. relèvent de la responsabilité de l'acheteur.)

Devoirs du propriétaire :

Ce distributeur d'eau doit être installé et utilisé conformément aux instructions écrites fournies avec cet appareil. Cette garantie ne relève pas le propriétaire de son obligation de bien entretenir cet appareil conformément aux instructions. Un reçu, un chèque annulé ou une preuve de paiement doivent être conservés pour confirmer la date d'achat et pour établir la période de la garantie. Le carton d'emballage d'origine doit être conservé en cas de retour de l'appareil sous la garantie.

Qu'est-ce qui n'est pas couvert?

1. Des dommages causés par une mauvaise utilisation ou installation ou le non-respect des instructions fournies dans le manuel du propriétaire et aux directives de sécurité.
2. L'utilisation de cet appareil si l'eau est microbiologiquement insalubre ou de qualité inconnue.
3. Des dommages causés par un manque d'entretien et de nettoyage normaux.
4. L'utilisation de pièces ou d'accessoires qui ne proviennent pas du fabricant de l'équipement d'origine.
5. Des dommages causés par le transport. Les frais de transport pour envoyer les pièces ou produits de à l'usine et pour recevoir ces pièces et produits de l'usine sont de la responsabilité du propriétaire.

CETTE GARANTIE LIMITÉE EST ACCORDÉE À L'ACHETEUR ET REMPLACE TOUTES AUTRES GARANTIES, EXPRIMÉES OU IMPLICITES, Y COMPRIS, MAIS SANS S'Y LIMITER, LES GARANTIES MARCHANDES POUR UN USAGE PARTICULIER. LE RECOURS PRÉVU DANS CETTE GARANTIE EST EXCLUSIF ET EST ACCORDÉ À LA PLACE DE TOUS LES AUTRES RECOURS. EN AUCUN CAS GHP GROUP, INC. NE SERA RESPONSABLE DES DOMMAGES ACCESSOIRES OU CONSÉQUENTS.

Certains États et/ou provinces n'autorisent pas de limitations quant à la durée d'une garantie implicite, et la limitation décrite ci-dessus peut ne pas s'appliquer à vous. Certains États et/ou provinces n'autorisent pas l'exclusion ou la limitation de dommages accessoires ou de dommages-intérêts accessoires ou conséquents, et la limitation ou l'exclusion susmentionnée peut ne pas s'appliquer à vous.

Les réclamations sont traitées comme suit :

1. Contactez votre détaillant et expliquez le problème.
2. Si le détaillant n'est pas en mesure de résoudre le problème, contactez notre service à la clientèle indiquant le modèle du système, le problème et la preuve de la date d'achat.
3. Un représentant vous contactera. NE RENVOYEZ PAS L'UNITÉ À GHP GROUP, INC. à moins que notre représentant ne vous demande de le faire ou par autorisation écrite. Cette garantie vous donne des droits juridiques spécifiques et vous pouvez également avoir d'autres droits qui varient selon l'État ou la province.

Enregistrement du produit:

Pour enregistrer votre produit, veuillez visiter : ghpgroupinc.com/product-registration.html et remplissez le formulaire dans les (14) jours suivant l'achat.



Avertissement : Ce produit peut vous exposer à des substances chimiques comme le phtalate de diisononyl (DINP), qui est reconnu par l'État de Californie comme causant le cancer, ainsi qu'à des composés du mercure, qui sont reconnus par l'État de la Californie comme causant des problèmes de reproduction.

Pour plus de renseignements, visitez le www.p65Warnings.ca.gov



**En cas de bris de la lampe UV, il peut y avoir une exposition au mercure.
Il n'y a aucun danger connu pour la santé associé au mercure dans une lampe UV intacte.
Après avoir touché le cordon électrique, veuillez vous laver les mains.**

PUR®

Desinfección ultravioleta
de agua para toda la casa

Manual del
propietario

PUV15S

PUV25S

PUV15H

PUV25H



Tabla de contenido:

Medidas de seguridad.....	25	*Instalación vertical opcional.....	28
Descripción del producto.....	26	*Instalación del sistema	29
Herramientas requeridas para la instalación.....	26	Desinfección del sistema de distribución de agua doméstico	30
Acerca de su sistema	27	Funcionamiento y mantenimiento	30
Condiciones de funcionamiento	27	Instalación y reemplazo de la lámpara.....	31 - 32
Instrucciones de instalación	27 - 29	Instalación y reemplazo de la funda de cuarzo	32
*Accesibilidad, Orientación y Accesorios:.....	27	Guía de solución de problemas	33
*Línea de desvío y válvula de drenaje opcionales	28	Etiquetas de datos NSF.....	34
*Instalación horizontal.....	28	Garantía.....	34

Medidas de seguridad:

ADVERTENCIA: La instalación de este sistema ultravioleta (UV) debe ser conforme con todas las regulaciones provinciales/estatales y/o locales concernientes a servicios de plomería y eléctricos. Se recomienda que la instalación la realice un plomero certificado. Siempre cumpla con las siguientes advertencias e instrucciones de seguridad para prevenir daño corporal, lesiones o daño a la propiedad.

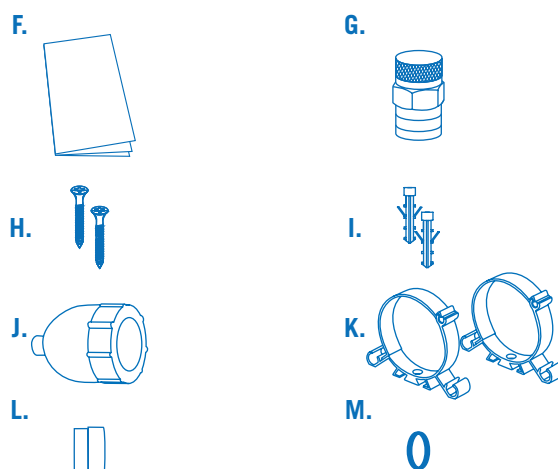
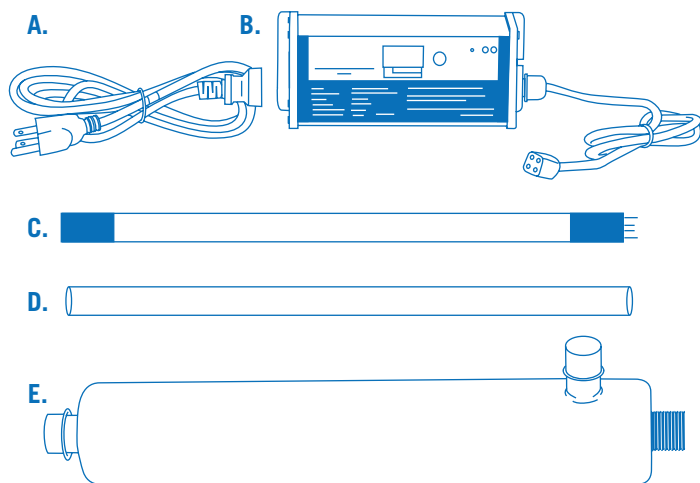
PELIGRO: La lámpara dentro de esta unidad emite luz ultravioleta que puede causar daño permanente a la piel y ojos. Nunca mire la lámpara mientras la unidad esté en funcionamiento.

- Nunca intente operar su sistema UV a menos que se haya conectado a tierra antes, para evitar cualquier riesgo de electrocución.
- Para prevenir una electrocución, no enchufe el sistema UV en una toma que no se haya equipado con un dispositivo diferencial residual (DDR)
- Siempre desenchufe el cable de alimentación antes de intentar instalar, limpiar o realizar otro trabajo de mantenimiento a esta unidad.
- Siempre cierre la entrada de agua antes de realizar cualquier mantenimiento a esta unidad.
- No intente darle servicio a esta unidad a menos que usted sea un técnico de servicio acreditado, ya que lesiones personales podrían ocurrir y/o el funcionamiento del sistema podría verse afectado perjudicado.
- Nunca opere esta unidad en un ambiente rico en oxígeno, o a menos de 6 pies (2 metros) de una fuente de oxígeno.
- Si las temperaturas caen por debajo del punto de congelamiento (0°C / 32°F), drene toda el agua de la unidad, drene y desconecte todas las tuberías, y tape los puertos de entrada y de salida.
- No intente instalar, operar, limpiar o realizar una rutina de mantenimiento en su sistema UV sin haber leído y entendido todas las advertencias e instrucciones de seguridad que están contenidas en este manual y en las etiquetas que están pegadas en el sistema.
- No intente operar el sistema UV si ha sido visiblemente dañado. Inspecciónelo cuidadosamente para asegurarse de que esté libre de daño físico antes de utilizarlo.
- No lo opere sistema si está mojado o si hay fugas visibles.
- El sistema ultravioleta está eléctricamente certificado para su uso en espacios interiores solamente y no debe exponerse al aire libre.
- Siempre instale y opere la unidad en un ambiente donde la temperatura tanto del aire como del agua esté normalmente entre 36°F (2°C) and 104°F (40°C).

El sistema UV ha sido probado y certificado según las normas NSF/ANSI 55 y CSA B483.1 para el tratamiento bactericida suplementario del agua potable pública desinfectada o de otras aguas potables que hayan sido probadas y consideradas aceptables para el consumo humano por la agencia sanitaria estatal o local que tenga jurisdicción. El sistema está diseñado solamente para reducir los microorganismos inconvenientes no patogénicos presentes normalmente. Los sistemas clase B no están destinados para el tratamiento de agua contaminada.

Descripción del producto :

El sistema de tratamiento de agua UV ha sido diseñado bajo estándares estrictos y ha pasado un control de calidad en la fábrica antes de ser empacado. Por favor consulte este manual en su totalidad para obtener una explicación detallada del sistema y asegurarse de que los siguientes componentes acompañen el sistema. Para asegurar el desempeño del sistema, todos los componentes de reemplazo deben comprarse directamente a un distribuidor autorizado o en línea en www.groupinc.com. El uso de componentes comprados de otras fuentes anulará la garantía, y potencialmente causará que el sistema funcione a una capacidad inferior a la prevista.

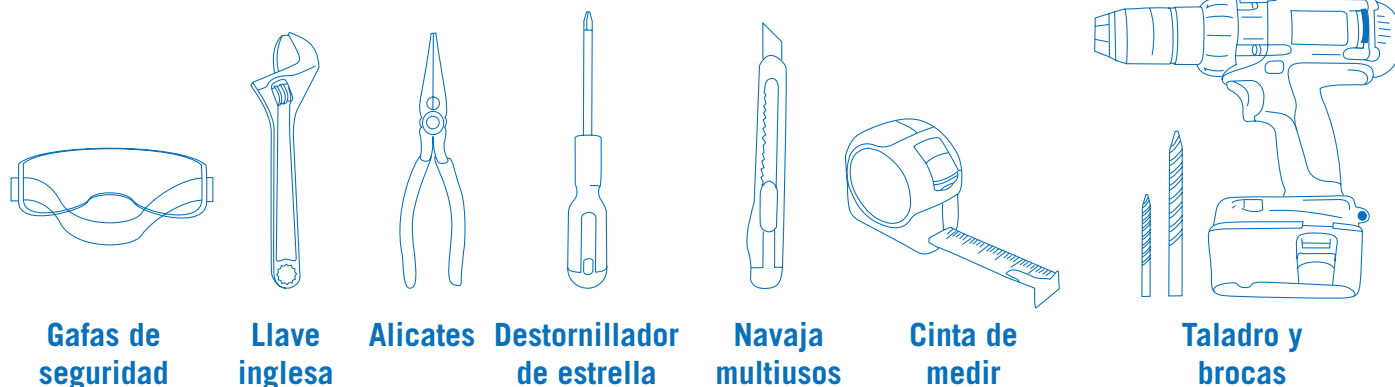


Art.	Descripción	Cant.
A	Cable de alimentación	1
B	Controlador electrónico	1
C	Lámpara UV	1
D	Manga de cuarzo	1
E	Cámara de reacción UV de acero inoxidable	1

Art.	Descripción	Cant.
F	El manual del propietario	1
G	Limitador de flujo	1
H	Tornillos de pared	2
I	Anclas de pared	2
J	VuCap®	1
K	Abrazaderas de montaje de cilindro UV	2
L	Tuerca de retención	1
M	Junta tórica de sellado de manga de cuarzo	1

ADVERTENCIA: Las lámparas deben reemplazarse después de 12 meses de funcionamiento para asegurar una desinfección apropiada de su agua. Limpie las fundas de cuarzo frecuentemente para un rendimiento óptimo. Se recomienda un pre-filtro nominal de al menos 5 μ de subida (antes) del punto de instalación del sistema UV. Como la eficiencia del sistema UV depende de la penetración de la luz UV a través de la columna de agua, las partículas sólidas dentro de la columna de agua podrían disminuir la capacidad de desinfección y potencialmente generar una condición dañina. Con el sistema se suministra un pre-filtro de 5 micras y un filtro de carbono de 5 micras (los sistemas de filtrado se venden por separado).

Herramientas requeridas para la instalación:



Acerca de su sistema :

Especificaciones:

Normas NSF/ANSI 55 Clase B y CSA B483.1

Número de modelo:		PUV15S	PUV25S	PUV15H	PUV25H
Caudal GPM US (LPM)*		7,4 (28,2)	12,3 (46,6)	15,5 (58,7)	25,6 (96,9)
Dimensiones	Controlador	8" x 2" x 3" (20,3cm x 5,1cm x 7,6cm)			
	Diámetro de la cámara	3,5" (8,9 cm)	3,5" (8,9 cm)	3,5" (8,9 cm)	3,5" (8,9 cm)
	Longitud de la cámara	18,5" (47 cm)	28" (71,1 cm)	18,5" (47 cm)	28" (71,1 cm)
Tamaño de la apertura I/E		3/4" FNPT - 1,0" MNPT			
Presión de funcionamiento		15-125psi (103-862kPa)			
Eléctrica	Voltaje	100-240, 50/60Hz			
	Consumo eléctrico (W)	21	35	46	67
	Vatios de la lámpara (W)	17	30	40	60
Material de la cámara		304SS			

*Caudal nominal máximo según la normal NSF/ANSI 55 clase B

Sistema probado y certificado por la NSF International para las normas NSF/ANSI 55 y CSA B483.1 para el rendimiento de desinfección clase B.

Condiciones de funcionamiento:

La calidad del agua afectará el rendimiento de su sistema UV, y los siguientes niveles deben utilizarse como una guía de los requisitos previos al tratamiento del suministro de agua entrante antes del tratamiento UV:

Hierro	< 0,3 ppm (0,3 mg/L)
Turbidez	< 1 NTU
Taninos	< 0,1 ppm (0,1 mg/L)
Manganeso	< 0,05 ppm (0,05 mg/L)
Dureza	< 120 ppm (7 granos por galón)
Transmisión UV	> 75%

Si está utilizando agua superficial no tratada o aguas subterráneas no tratadas como su fuente de suministro, la idoneidad del suministro de agua para aplicaciones potables debe ser confirmada por la agencia sanitaria provincial, estatal y/o local que tenga jurisdicción.

Si los resultados de la prueba indican que: (1) se están superando cualquiera de los niveles de contaminantes anteriores, o (2) no se cumplen las normas sanitarias vigentes del agua potable, se deben instalar opciones de pre-tratamiento adicionales que eliminen todos los contaminantes que representan riesgos para la salud. El agua no municipal debe examinarse de forma continua para garantizar la eficiencia del tratamiento.

Instrucciones de instalación:

Accesibilidad, Orientación y Accesorios:

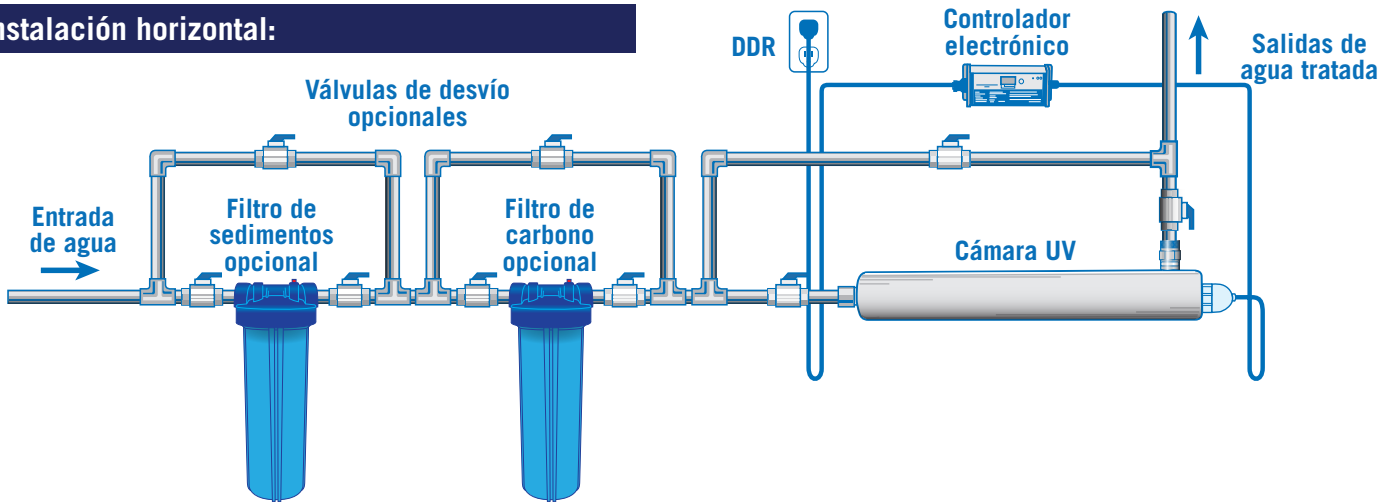
Instale su sistema UV en un lugar que proporcione un espacio amplio para acceder y quitar la lámpara y la funda de cuarzo de la cámara UV. Una distancia mínima equivalente a la longitud de la cámara de reacción UV (cilindro de acero inoxidable) más 6" a 12" (15 a 30 cm) es necesaria para asegurar un espacio libre adecuado. Como el sistema UV genera calor durante el uso, asegúrese de que ningún elemento combustible entre en contacto con el sistema o esté cerca del sistema. Se recomienda mantener al menos 6" (15 cm) de espacio libre de la pared alrededor del UV para fines de enfriamiento. Esto prolongará la vida útil del sistema. Instale los controladores electrónicos donde no se vayan a mojar durante tareas de mantenimiento o por condensación de las tuberías de cobre, etc.

Instrucciones de instalación (continuado):

Línea de desvío y válvula de drenaje opcionales:

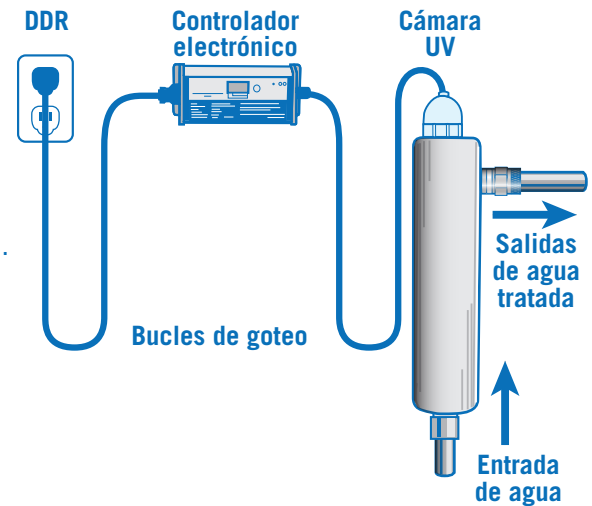
El diagrama a continuación muestra la instalación de un sistema de desinfección típico y los componentes opcionales que pueden ser utilizados para la instalación. El uso de un dispositivo de desvío se recomienda en caso de que el sistema requiera mantenimiento por separado. Para evitar una posible contaminación del agua en la tubería, la cual puede suponer un riesgo para la salud, no utilice la línea de desvío y la válvula si su fuente de suministro es agua superficial o subterránea no tratada. Si su fuente de suministro es agua municipal tratada, el uso de la línea de desvío y la válvula permitirá el servicio de agua tratada ininterrumpidamente en caso de un mal funcionamiento del sistema. La instalación de una válvula de drenaje, aunque no es necesaria, permitirá al técnico de servicio drenar el sistema de agua antes de realizar cualquier servicio a la unidad.

Instalación horizontal:

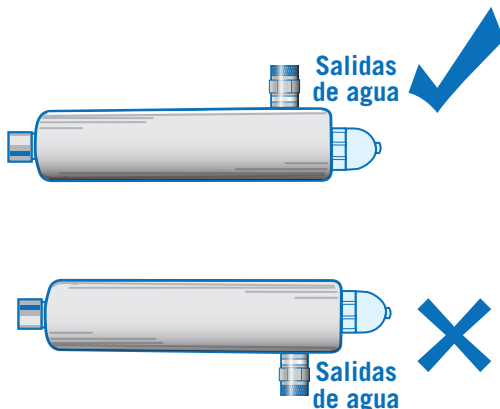


Instalación vertical opcional:

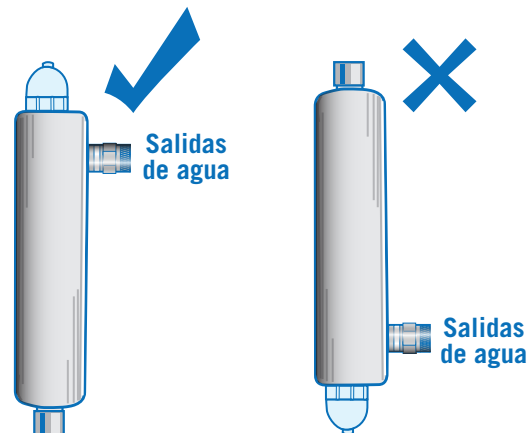
- PUR® UV systems may be installed vertically with the outlet port at the top of the system, to eliminate any trapped air, and the inlet port at the base, as shown in the diagram.
- Ensure the Controller is kept dry and away from any potential condensation. Use drip loops so moisture does not run down lamp harness or power cord and into the Controller. The Electric Controller must remain dry.
- Prior to installation, remove protective caps from inlet and outlet ports of the UV reaction chamber.



Instalación horizontal:



Instalación vertical:



Instrucciones de instalación (continuado):

Instalación del sistema:

ADVERTENCIA: Al manipular las lámparas UV y las fundas de cuarzo, siempre deben usarse guantes suaves o un paño para evitar que se deposite aceite en la superficie. Los depósitos de aceite proveniente de sus manos pueden crear puntos calientes en la superficie que pueden provocar fallas prematuras de la lámpara.

1. Determine una ubicación adecuada y asegúrese de que se pueda completar el montaje del sistema UV en la orientación correcta. Para instalar y/o quitar la lámpara UV y la funda de cuarzo de la cámara de acero inoxidable, asegúrese de que el espacio libre mínimo sea el doble de la longitud total de la unidad (Figura 1).
2. Fije la abrazadera de montaje a la estructura de instalación utilizando un tipo de tornillo apropiado tanto para el peso como para el material de la superficie (Figura 2).
3. Coloque la cámara del reactor UV en la abrazadera de montaje y asegúrela (Figura 3).
4. Instale todas las tuberías de entrada y/o de salida en el sistema (incluyendo todas las configuraciones de pre-filtrado y las válvulas descritas anteriormente).

NOTA: Para satisfacer las exigencias de la norma NSF 55, el limitador de caudal que se incluye con el sistema UV debe usarse para controlar el caudal de agua a través de la cámara UV. El limitador de caudal está diseñado para enroscarse en los puertos de entrada o de salida utilizando cinta selladora de teflón para los accesorios NPT. En la mayoría de las configuraciones, el sistema debe tener una válvula de cierre manual en la entrada. El agua fluye en la dirección de la flecha ubicada en la etiqueta del limitador de caudal.

5. Instale el controlador electrónico en un lugar seco cerca de la cámara de reacción UV. Instale el cable de alimentación y el arnés de la lámpara usando bucles de goteo para evitar que la humedad viaje a lo largo del cable y entre al controlador (Figura 4).
6. Asegúrese de que la funda de cuarzo esté intacta y que la junta tórica, el anillo de retención VuCap® y la tuerca de retención estén en su posición y apretados. No apriete demasiado las tuercas de retención (Figura 5).
7. Conecte los cuatro pines de la lámpara UV al enchufe de la lámpara UV del controlador (Figura 6).
8. Inserte la lámpara UV en la funda de cuarzo y asegure la cubierta protectora VuCap® (Figuras 7 y 8).

Figura 1

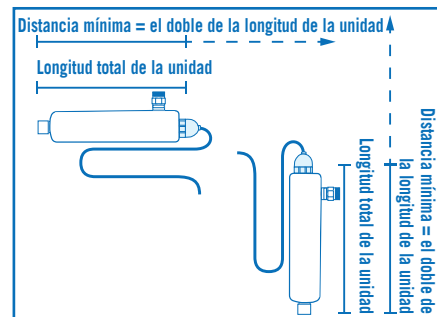


Figura 2

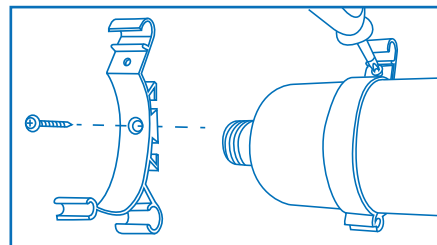


Figura 3

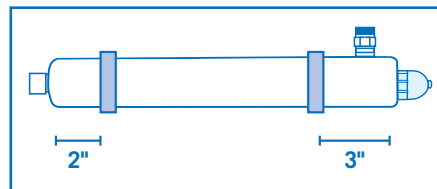


Figura 4

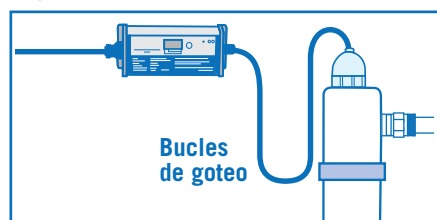


Figura 5

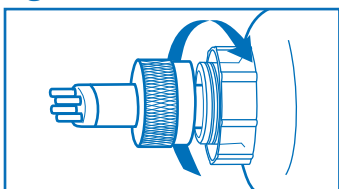


Figura 6

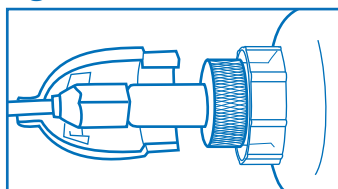


Figura 7

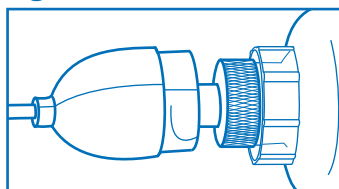
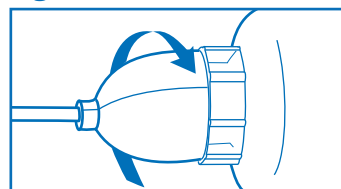
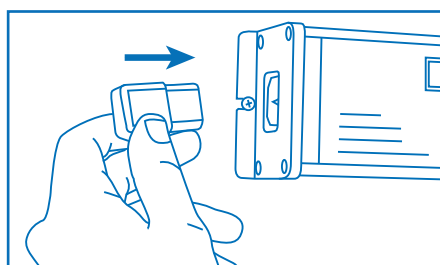


Figura 8



9. Abra lentamente las válvulas de suministro antes y después del sistema UV y asegúrese de que no haya fugas de agua.
10. Conecte el controlador electrónico al tomacorriente y asegúrese de que tanto la pantalla del controlador (indica la vida restante de la lámpara) como la luz LED verde se iluminan (Figura 9). El brillo de la lámpara UV también debe ser visible a través del VuCap®, pero tenga en cuenta que puede no ser visible si hay demasiada luz en el ambiente.

Figura 9



Su sistema de desinfección UV ya está listo para usar.

Si su sistema sólo se utiliza de manera estacional, debe almacenarse correctamente durante el invierno.

Desconecte su sistema de la fuente de alimentación y drene toda el agua del sistema.

Antes de volver a conectar el sistema, es altamente recomendado desinfectar el sistema de tuberías del hogar.

Desinfección del sistema de distribución de agua doméstico:

Se recomienda el siguiente procedimiento para instalaciones de sistemas de desinfección UV en aplicaciones de tratamiento para toda la casa. Para los sistemas instalados en un sistema de agua tratada municipalmente, la desinfección del sistema de plomería queda a discreción del usuario. Para desinfectar el sistema de distribución, realice los siguientes pasos. Asegúrese de que el sistema UV permanezca encendido durante todo el proceso.

1. Familiarícese con las diversas válvulas de cierre de su sistema. Es importante entender qué combinaciones de posiciones de las válvulas le permiten aislar el sistema UV.
2. Cierre el suministro de agua principal, arriba de cualquier carcasa de filtro, y despresurice las líneas de agua domésticas.

NOTA: La configuración individual de tuberías puede variar, por lo que las imágenes se incluyen solo como referencia visual.

3. Cierre las válvulas necesarias para aislar los pre-filtros UV (Figura 10). Retire el cartucho del filtro más cercano al sistema UV (figura 11). Llene el sumidero con 1 a 2 tazas de cloro doméstico (5,25%).
4. Vuelva a instalar el sumidero (sin filtro) y vuelva a presurizar lentamente el sistema (figura 13). Abra cada grifo y deje correr agua fría hasta que pueda oler el cloro en el agua. Cierre el grifo y repita con todos los demás grifos de la casa, incluyendo los de agua caliente. Asegúrese de incluir todos los grifos en el exterior de la casa, cabezales de ducha y líneas de lavavajillas y/o lavadora en este proceso.
5. Deje que la solución permanezca en las líneas durante 30 minutos como mínimo (figura 14).
6. Vuelva a instalar el cartucho del pre-filtro y lave cada línea individual de agua como se indica arriba hasta que no se detecte olor a cloro (figura 15).

Es crítico asegurarse que el sistema de distribución de agua esté bien enjuagado y completamente libre del cloro residual antes de su uso. **SE DEBE EJERCER PRECAUCIÓN EXTREMA**, ya que el nivel de cloro en el sistema es aproximadamente 25-50 veces mayor que el observado en el agua tratada municipalmente. Esto es necesario para la desinfección de las líneas domésticas. Es extremadamente importante que se sigan los procedimientos de enjuagado adecuados para todos los grifos antes de su uso.

NOTA: Agregar una solución de desinfección con cloro en un calentador de agua caliente que se haya utilizado con agua dura no tratada o agua con exceso de hierro, manganeso u otros contaminantes orgánicos puede provocar la oxidación de estos materiales. Si considera que estas condiciones pueden aplicarse a su instalación, se debe realizar un lavado completo del tanque de agua caliente para evitar que el material oxidado entre en las líneas de distribución de agua.

Figura 10

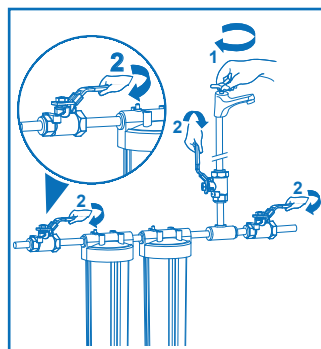


Figura 11

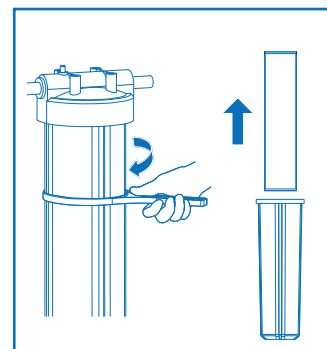


Figura 12

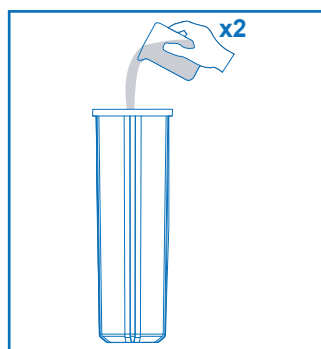


Figura 13

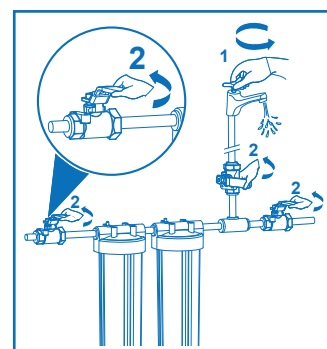


Figura 14

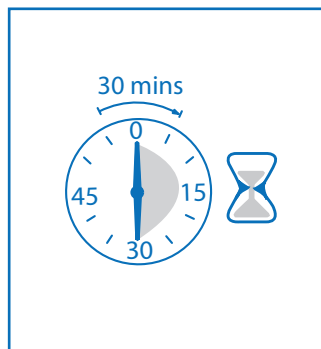
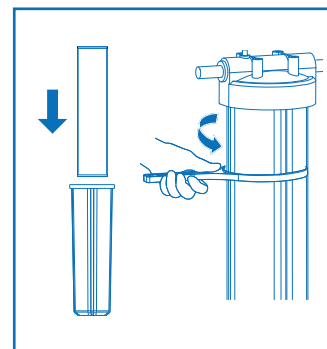


Figura 15



Funcionamiento y mantenimiento:

El sistema UV debe permanecer encendido continuamente para garantizar la protección de su sistema de agua. Durante el funcionamiento normal del sistema, la luz LED verde del controlador se iluminará y la pantalla indicará el número de días restantes hasta que se requiera el reemplazo de la lámpara. Durante períodos de inactividad, es normal que la temperatura del agua en la cámara de acero inoxidable aumente. Simplemente enjuague la línea de agua para mejorar la temperatura. En ambientes húmedos, se puede notar sudoración o pequeñas gotas de agua en la superficie de la cámara de reacción UV. La formación de condensación durante condiciones de alta humedad es normal. No permita que la condensación gotee sobre el controlador. Se han proporcionado las siguientes instrucciones para ayudar con el mantenimiento general del sistema; el reemplazo de la lámpara UV y la limpieza y/o el reemplazo de la manga de cuarzo. Todas las demás reparaciones del sistema deben ser completadas por un plomero o un técnico de servicio autorizado.

ADVERTENCIA: Nunca intente reparar el sistema UV a menos que usted sea un técnico de servicio acreditado, ya que esto podría dañar el sistema.

Instalación y mantenimiento de la lámpara:

ADVERTENCIA: La lámpara se calienta después de su uso continuo y puede quemar la piel si se toca. Desconecte el cable de alimentación del tomacorriente y deje que la lámpara se enfríe durante al menos 5 minutos antes de retirarla. No utilice la lámpara UV fuera de la cámara UV. La lámpara de la unidad emite una potente luz ultravioleta que puede causar daños permanentes en la piel y los ojos. Nunca mire la lámpara cuando la unidad esté encendida. Manipule la lámpara UV solamente por los extremos. No toque la superficie de vidrio de la lámpara UV con los dedos. Si la superficie de la lámpara se ensucia, utilice un paño limpio y libre de pelusas y alcohol isopropílico para eliminar cualquier suciedad.

Su sistema de desinfección UV está equipado con un indicador de falla visual y acústico de la lámpara. En caso de falla de la lámpara UV, la luz LED roja parpadeará y se escuchará un pitido desde el controlador electrónico de la unidad. El temporizador de cuenta regresiva de la vida útil de la lámpara detendrá el conteo cuando esté en modo de alarma. Por favor tenga en cuenta que, si se producen estas condiciones y usted tiene una fuente de suministro de agua no municipal, debe dejar de utilizar inmediatamente el agua para aplicaciones potables hasta que se sustituya la lámpara y se complete la desinfección de todas las líneas de distribución.

La lámpara ultravioleta tiene una vida útil de un año (9000 horas) aproximadamente. La lámpara UV seguirá funcionando más allá de las 9000 horas, sin embargo, el rendimiento del sistema UV se reduce rápidamente después 9000 horas y la lámpara UV puede que ya no proporcione una desinfección adecuada de su suministro de agua. El temporizador integrado de 365 días de cuenta regresiva muestra el número de días restantes hasta que se requiera reemplazar la lámpara. Cuando el temporizador de cuenta regresiva llegue a 0 días, se activará una alarma acústica intermitente y la pantalla del controlador indicará alarma "A3". Con el fin de darle tiempo de obtener una lámpara UV de reemplazo, la alarma acústica se puede silenciar durante 7 días pulsando y manteniendo pulsado el botón en la pantalla del controlador durante 2 a 5 segundos. Después de 7 días, la alarma volverá a sonar si la lámpara no ha sido reemplazada. Esto se puede hacer un máximo de 4 veces, lo cual permite hasta 28 días para obtener una lámpara UV de reemplazo. Después de 4 veces, la alarma ya no se puede silenciar hasta que se instale una lámpara de reemplazo y la alarma de vida útil de la lámpara se restablezca a 365 días.

Las lámparas UV de repuesto y las fundas de cuarzo están disponibles en distribuidores autorizados. Utilice únicamente lámparas y fundas aprobadas por PUR® para garantizar el rendimiento del sistema. Los reemplazos para las lámparas y las fundas de cuarzo se venden bajo los siguientes números de modelo:

Número de modelo	Controlador	Combo lámpara/funda
PUV15S	BA-40S	PUVLQS17S
PUV25S	BA-40S	PUVLQS30S
PUV15H	BA-95H	PUVLQS40H
PUV25H	BA-95H	PUVLQS60H

1. Despresurice la cámara UV cerrando el suministro de agua y abriendo la válvula para que salga agua del sistema. A continuación, cierre la válvula de salida de agua (figura 16).
2. Desenchufe el controlador del tomacorriente (figura 17).
3. Espere al menos 5 minutos para que la lámpara se enfríe antes de retirarla (figura 18).
4. Quite el VuCap® de la cámara UV y desconecte cuidadosamente la lámpara UV del arnés del conector de la lámpara (figura 19).
5. Quite con cuidado la lámpara UV de la funda de cuarzo girando suavemente la lámpara para sacarla. Asegúrese de sujetar la lámpara sólo por los extremos de cerámica.
6. Inserte cuidadosamente la nueva lámpara UV en la funda de cuarzo y fije el arnés del conector de la lámpara a la lámpara UV.

Figura 16

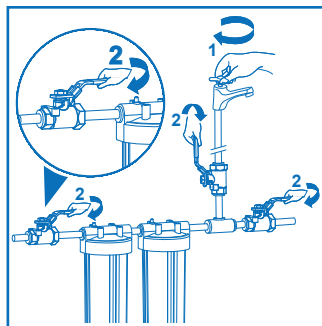


Figura 17

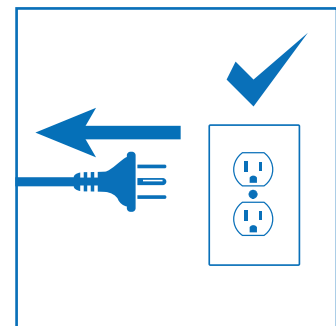


Figura 18

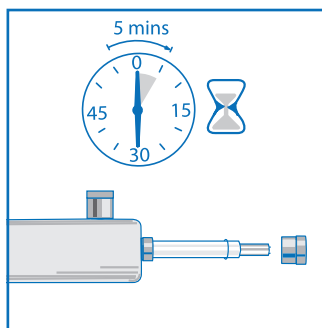
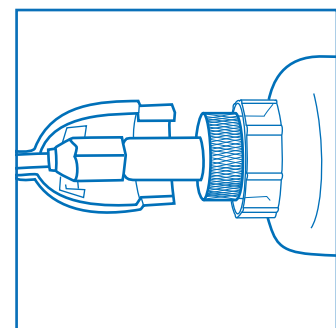


Figura 19



Lamp Installation and Replacement (continued):

7. Vuelva a presurizar el sistema abriendo lentamente la válvula de entrada de agua (figura 20).
8. Compruebe si hay fugas en el sistema.
9. Enchufe el controlador en el tomacorriente (figura 21).
10. Asegúrese de que la lámpara UV funcione – la luz LED verde de encendido debe estar iluminada, la luz LED roja de falla de la lámpara debe estar apagada y no debe haber ninguna alarma acústica activa.
11. La pantalla mostrará el número de días que faltan hasta que sea necesario reemplazar la lámpara. Si se ha instalado una lámpara nueva, pulse y mantenga pulsado el botón del controlador durante 10 segundos para reiniciar el temporizador de cuenta regresiva de vida útil de la lámpara.
12. Deje que la lámpara UV se caliente durante un mínimo de 2 minutos antes de enjuagar con agua a través de la cámara UV.

Figura 20

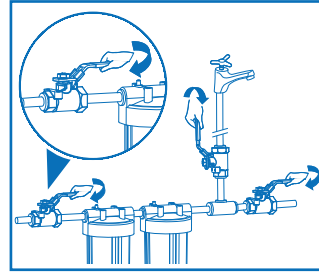
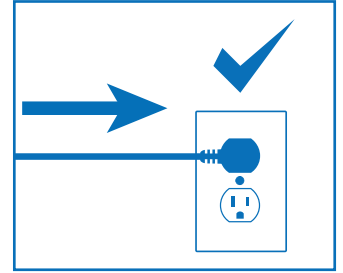


Figura 21



Instalación y reemplazo de la funda de cuarzo:

Cualquier depósito mineral o acumulación de sedimentos en la funda de cuarzo afectará el rendimiento del sistema reduciendo la luz UV transmitida a través de la funda de cuarzo en la columna de agua. El mantenimiento y la sustitución adecuados del pre-filtrado necesario para el sistema UV reducirán la acumulación de residuos minerales y de sedimentos en la funda de cuarzo. La funda de cuarzo se puede limpiar con un desincrustador no abrasivo disponible comercialmente y un paño libre de pelusas. La limpieza de la funda de cuarzo debe realizarse de forma regular para garantizar el máximo rendimiento del sistema. La frecuencia de limpieza requerida variará dependiendo de las condiciones locales del agua y el pre-filtrado del sistema. Todos los restos de la solución de limpieza deben removerse completamente de la funda de cuarzo antes de volver a instalarla en el sistema. Se debe tener cuidado para evitar que cualquier líquido de limpieza entre en contacto con la superficie interior de la funda de cuarzo.

1. Despresurice la cámara UV cerrando el suministro de entrada de agua y abriendo la válvula para que salga agua del sistema. A continuación, cierre la válvula de salida de agua (figura 22).
2. Desenchufe el controlador del tomacorriente (figura 23).
3. Espere al menos 5 minutos para que la lámpara se enfríe antes de sacarla (figura 24).
4. Quite el VuCap® de la cámara UV y desconecte cuidadosamente la lámpara UV del arnés del conector de la lámpara.
5. Quite cuidadosamente la lámpara UV de la funda de cuarzo girando suavemente la lámpara para sacarla. Asegúrese de sujetar la lámpara sólo por los extremos de cerámica.
6. Drene el agua de la cámara UV de acero inoxidable.
7. Retire la tuerca de retención que fija la funda de cuarzo en la cámara UV.
8. Retire la junta tórica de sellado de la funda de cuarzo.
9. Retire la funda de cuarzo y límpiela como se indicó anteriormente (figura 25).
10. Inserte la funda de cuarzo en la cámara UV. Las fundas de cuarzo deben reemplazarse cada 3 años para un rendimiento óptimo.
11. Inserte la lámpara UV en la funda de cuarzo y fije el conector.
12. Rellene lentamente la cámara UV abriendo el suministro de agua lo suficiente como para llenar la cámara con agua (figura 26).
13. Compruebe si hay fugas en el sistema.
14. Conecte el sistema UV a la fuente de alimentación (figura 27).
15. Asegúrese de que la luz UV funciona verificando que la luz LED verde del indicador del controlador esté encendida y la pantalla esté operativa.

Figura 22

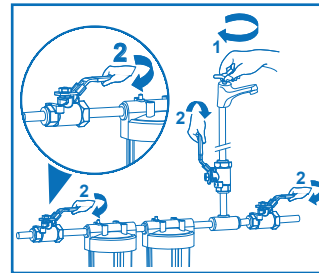


Figura 23

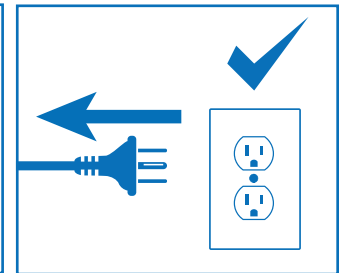


Figura 24

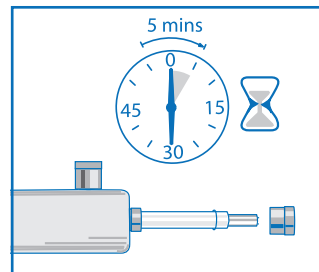


Figura 25

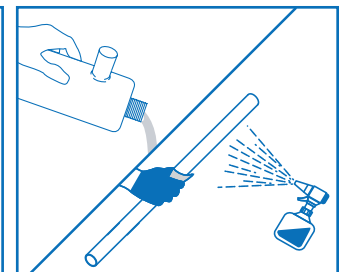


Figura 26

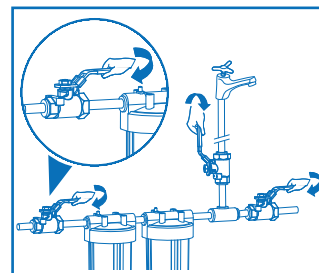
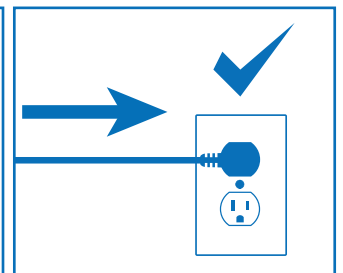


Figura 27



Guía de solución de problemas:

Problema	Posible causa	Solución
Salida de agua caliente	Agua asentada en la cámara de reacción UV y calentándose debido a su uso poco frecuente	Abra el grifo para dejar correr agua durante un corto período de tiempo.
Unidad con fugas de agua	Conexiones desalineadas o entrecruzadas en puertos de entrada y/o salida	Vuelva a instalar los conectores para garantizar una conexión sólida con los puertos. Las roscas de entrada y/o salida en la cámara UV son de tipo NPT y requieren sellador de rosca.
	Presión excesiva del agua	Instale el regulador de presión antes del sistema.
	Golpe de ariete* causando picos de presión	Instale un supresor de golpes de ariete en el sistema.
	Junta tórica de la funda de cuarzo mal sellada	Vuelva a alinear, aplique grasa a la junta tórica y vuelva a apretar la tuerca de retención.
No llega alimentación a la lámpara UV cuando el sistema está enchufado	El zócalo de pared del DDR se disparó	Reinicie, siguiendo las instrucciones del fabricante proporcionadas con el tomacorriente.
		Compruebe el tomacorriente con otros aparatos.
		Asegúrese de que la cámara UV esté conectada a tierra. Asegúrese de que todos los puertos y/o conexiones eléctricas estén secos.
El sistema está alimentado pero la lámpara UV no se enciende (alarma visible y acústica activada)	La lámpara no está instalada correctamente	Asegúrese de que la lámpara esté instalada correctamente con un acople eléctrico (debe estar bien ajustada).
	Falla de la lámpara	Reemplace la lámpara UV.
El sistema está vibrando	No está montado de forma segura	Asegure los tornillos.
	Golpe de ariete* causando vibraciones	Instale un supresor de golpes de ariete en el sistema.
Se genera calor excesivo	No se ha dejado suficiente espacio para el enfriamiento	Deje espacio libre para el enfriamiento (mín. 6-12"/15-30 cm de espacio libre alrededor de la unidad).
	El sistema está funcionando a una temperatura ambiental muy alta	Desenchufe la unidad hasta que la temperatura alcance las condiciones del ambiente.
	La temperatura del agua está demasiado alta	Asegúrese de que el tratamiento esté en el lado del agua fría solamente (antes del calentamiento del agua).

*Golpe de ariete: el cierre repentino de una válvula de control o detener una bomba produce despuntes excesivos de presión en una tubería. Estos despuntes de presión pueden causar daños significativos a los equipos y/o aparatos directamente conectados a la línea de agua. El golpe de ariete se percibe generalmente debido a los sonidos característicos de golpes cuando las válvulas en la línea se cierran repentinamente. Las condiciones que producen el golpe de ariete deben corregirse inmediatamente, y el daño a cualquier sistema como resultado de esta condición no están cubiertos por la garantía.

Si requiere servicio técnico o tiene alguna pregunta acerca de cómo utilizar su producto PUR, por favor contacte al Servicio de Atención al Cliente al: 1-877-447-4768 o a customerservice@ghpgroupinc.com

Fabricado y garantizado por: GHP Group Inc.
 USA: 6440 W. Howard St. Niles, IL 60714-3302
 Canada: 271 Massey Rd. Guelph, Ontario, N1K 1B2

Etiquetas de datos NSF:

Usted debe pegar la siguiente etiqueta de Clase B al sistema UV.

Sistema de clase B:

Este sistema es conforme a las normas NSF/ANSI 55 y CSA B483.1 para el tratamiento bactericida suplementario del agua potable pública desinfectada o de otras aguas potables que hayan sido probadas y consideradas aceptables para el consumo humano por la agencia sanitaria estatal o local que tenga jurisdicción. El sistema está diseñado solamente para reducir los microorganismos inconvenientes no patogénicos presentes normalmente. Los sistemas de clase B no están destinados a la desinfección de agua contaminada.

Siempre instale y opere la unidad en un ambiente donde la temperatura tanto del aire como del agua esté normalmente entre 36°F (2°C) and 104°F (40°C). Consulte el manual de instrucciones para las condiciones de uso. La lámpara se debe reemplazar cada año (9000 horas). El controlador electrónico tiene incorporado un temporizador de cuenta regresiva de 365 días.

Garantía:

Garantía limitada:

Esta garantía limitada se extiende al comprador minorista original de este dispensador de agua y garantiza contra cualquier defecto de materiales y mano de obra durante un período de un (1) año a partir de la fecha de su venta minorista. GHP Group, Inc., a su discreción, proveerá piezas de repuesto o reemplazará la unidad, cuando se devuelva correctamente a la tienda donde se compró dentro del plazo de un (1) año desde su compra. (Costos de envío, costos de mano de obra, etc. son responsabilidad del comprador).

Obligaciones del comprador:

Este dispensador de agua debe ser instalado y puesto en funcionamiento de acuerdo con las instrucciones escritas proporcionadas con esta unidad. Esta garantía no eximirá al propietario de mantener adecuadamente esta unidad de acuerdo con las instrucciones. Un ticket de compra, cheque pagado o registro de pago debe conservarse para verificar la fecha de compra y establecer el período de garantía. La caja original debe conservarse en caso de devolución de la unidad bajo garantía.

¿Qué no está cubierto?

1. Daños causados por mal uso, instalación o uso contrarios a las pautas de seguridad establecidas en el manual del propietario.
2. Uso de este producto donde el agua es microbiológicamente insegura o de calidad desconocida.
3. Daños causados por la falta de mantenimiento y limpieza normales.
4. Uso de piezas o accesorios que no sean originales del fabricante.
5. Daños causados durante el transporte. Los gastos de envío de las piezas o productos en garantía, hacia y desde la fábrica serán responsabilidad del propietario.

ESTA GARANTÍA LIMITADA SE OTORGA AL COMPRADOR EN LUGAR DE TODAS LAS DEMÁS GARANTÍAS, EXPRESAS O IMPLÍCITAS, INCLUYENDO, PERO NO LIMITADAS A LAS GARANTÍAS DE COMERCIABILIDAD DE APTITUD PARA UN PROPÓSITO PARTICULAR. EL RECURSO PROPORCIONADO EN ESTA GARANTÍA ES EXCLUSIVO Y ES OTORGADO EN LUGAR DE TODOS LOS DEMÁS RECURSOS. EN NINGÚN CASO GHP GROUP, INC. SERÁ RESPONSABLE POR DAÑOS INCIDENTALES O CONSECUENTES.

Algunos estados y/o provincias no permiten limitaciones en la duración de una garantía implícita, por lo que la limitación anterior puede que no aplique en su caso. Algunos estados y/o provincias no permiten la exclusión o limitación de daños incidentales o consecuentes por lo que la limitación o exclusión puede que no aplique en su caso.

Las reclamaciones se manejan de la siguiente manera:

1. Contacte a la tienda y explique el problema.
2. Si la tienda no puede resolver el problema, contacte a nuestro departamento de atención al cliente especificando el modelo del sistema, el problema y constancia de la fecha de compra.
3. Un representante le contactará. NO DEVUELVA LA UNIDAD A GHP GROUP, INC. a menos que se lo indique nuestro representante, o con autorización escrita.

Esta garantía le otorga derechos legales específicos y usted podría también tener otros derechos que varían según el estado y/o provincia.

Registro del producto:

Para registrar su producto, por favor visite: ghpgroupinc.com/product-registration.html y complete el registro dentro de los (14) días después de su compra.



Advertencia: Este producto puede exponerlo a usted a agentes químicos incluyendo ftalato de diisononilo (DINP), reconocido por el estado de California como causante de cáncer, y componentes de mercurio, reconocidos por el estado de California como causantes de daños reproductivos.

Para más información visite www.p65Warnings.ca.gov



En caso de que se rompa una lámpara UV, puede haber una posible exposición al mercurio. No se conocen riesgos para la salud causados por mercurio dentro de una lámpara UV intacta. Después de manipular el cable de alimentación eléctrica, lávese las manos.

