

VALLEY  [®]

Installation Manual

Introduction

Thank you for choosing a Valley product! This installation manual provides you with general information on the proper installation of our bath products.

IMPORTANT NOTE: Never lift or carry your unit by the grab bar, or by any piping if equipped with a whirlpool system. These elements are not designed for carrying, and doing so may result in damage to the unit, or bodily injury. Carrying your unit in this manner will void your warranty.

Before you begin

- Read this instruction manual carefully before beginning your installation.
- Consult your local building codes when installing your tub.
- Remove the unit from its packaging. Inspect your unit carefully to ensure there is no damage before receiving your unit from your sales representative, and before disposing of your packaging. Damage can occur during shipping, and responsibility ceases upon delivery of the product in good order to the carrier. All complaints regarding damage due to transport must be made directly to the carrier.
- It is recommended that you place the unit in the bathroom before beginning installation.
- To protect the unit during installation, we suggest laying it onto a piece of flat cardboard rather than on the floor itself.
- Do not remove the polyethylene protective film until installation is complete to gain maximum protection. Do remove it where two surfaces will be in permanent contact.
- The floor must be level and strong enough to support the weight of the water-filled bathtub.
- Verify that all dimensions on the plan are the same as on your unit.
- If an apron is being installed, ensure that your floor covering material can fit between the apron & the floor.
- If your bathtub is equipped with both a whirlpool, and an air system, space must be made for the air system's blower either inside or outside the alcove, or island. If the blower cannot be installed under the bathtub, it can be located up to 9 feet away.
- Make sure an access panel, recommended to be at least 30" x 30" (750mm x 750mm), is located near the whirlpool pump and/or the air system blower to allow easy servicing.
- Access must be provided for each product component (water heater, light, nozzle, electronic and air control, faucet).
- Whirlpool and/or air systems must be connected before final installation (see the Installation and user's guide for whirlpool and air systems).
- Dedicated GFI (Ground Fault Interrupter) circuits are required on electrical components ie) Comfort warm heater, Jetting, Chromatherapy, & Aromatherapy. Check your local electrical code for full details.

Structure installation

Do not build the surrounding structure before receiving your unit. Structure measurements should be verified against the unit to ensure a proper fit.

Tools required

- Measuring tape
- Pencil
- 3/16" (5 mm) and 1/8" (3mm) drill bits
- Hole saw
- Electric drill
- Screwdriver
- Pliers
- Level
- Safety glasses
- Silicone sealant
- Wood wedges
- 2" x 2" x 3" wood blocks (51 mm x 51 mm x 76 mm)
- No.8 x 1 1/4" screws (4.2 mm x 32 mm - Flat or Phillips head)
- 3/4" x 1" wood studs (19 mm x 25 mm) for alcove installation.

Plumbing

Make sure you install all plumbing, and drainage before securing the unit. It is always recommended to have a certified, professional plumber to perform the installations.

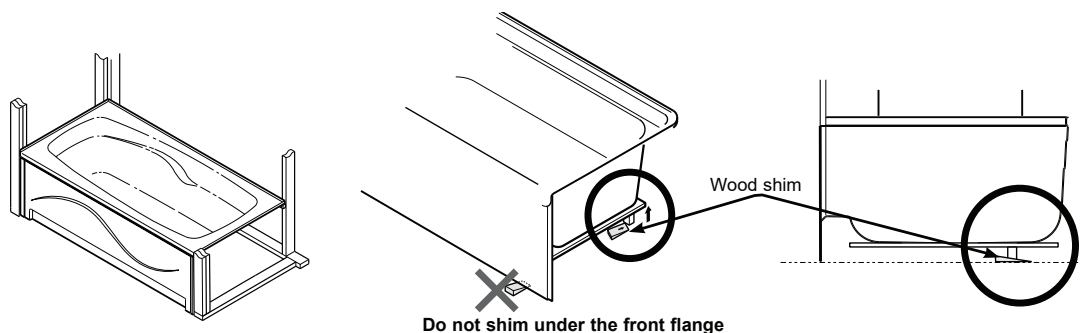
Before drilling a hole in the floor for your drain pipe, ensure that there are no hidden elements beneath. (Pipes, floor joists, heating ducts, electrical wires, etc)

Leveling & support

The unit must be installed perfectly level. Level your unit using wooden wedges affixed to the floor beneath the wooden base, or using mortar cement. All legs must be in contact with the floor. If leveling does not permit this, it is imperative to add a wood wedge to support your bath or shower.

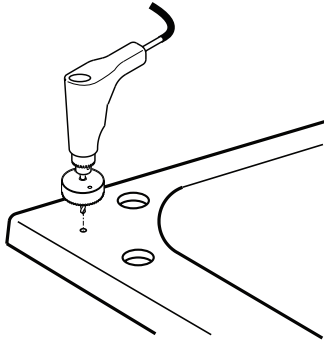
To provide additional support, sound-proofing, & levelling, it is recommended that a layer of mortar be applied to the base of the bathtub's legs, and covered with a 1/16" (2mm) polyethylene sheet. The layer should be thick enough to facilitate the levelling of the unit without raising it. Once the unit is in position, ensure it is level in both directions for proper draining.

Leveling must be done under the wood legs located beneath the unit. Do not level directly behind or under the unit's front flange.



The frame, and plumbing must be completed according to the instructions before installing the unit in your bathroom. If it is renovation work, the wall surfaces will have to be removed in order to allow for the installation of the unit to the appropriate structural frame.

IMPORTANT NOTE: Check local building codes to ensure that the floor can support your tub's filled weight.



Drilling for plumbing

Mark the location of the faucets on the underside of your unit and drill 3/16" (5 mm) pilot holes. Ensure that your holes are lined up with the plumbing. Your chosen faucet will determine the number and size of holes required for proper installation.

Drill directly on the finished side, following the faucet installation instructions for your chosen faucet, or tub filler.

Position the faucets at the recommended marks. The bathtub must be tested prior to completing installation. To properly test your tub, fill it to the overflow with water, and inspect it for leaks. Check the surface of the tub as well as all pipes and joints for leakage.

Drilling for Valley jetted tubs

IMPORTANT SAFETY NOTE: Never run a whirlpool system dry. This can cause damage to your whirlpool jet pump. Damages to whirlpool jet pumps caused by being run dry are not covered by warranty. Air systems, however, are designed to be run dry for a short period of time; such as during a system's purge cycle.

IMPORTANT WARRANTY NOTE: Installation of a tub with a known, or visible defect will not be repaired by Valley Acrylic once installed, and the warranty will be void. Please contact Valley immediately if you notice a defect in your tub prior to install.

Fill tub to overflow before testing the jetting system or looking for leaks. Inspect closely for any damage or leakage from under the bathtub.

After your preliminary inspection, run your tub's jet system for 30 minutes, and again inspect for any leaks that may have occurred to the tub or jetting system during transportation or installation. Your Valley Acrylic bath has been shipped to you leak-free from the factory.

Allow the tub to stand, full of water, for 24 hours and monitor for leaks as some may not be apparent during operation. When you are sure your bath is completely leak-free proceed with the installation steps provided in this guide.



Structure measurements from product specifications must be verified against your unit. Some units are available with left-hand, right-hand, or centre drains; check the drain position, and double-check all dimensions before drilling the floor.

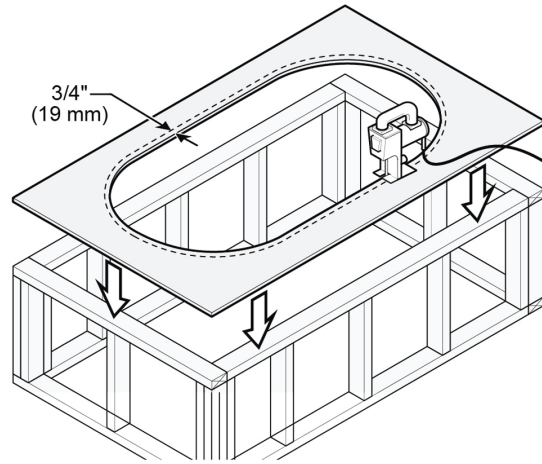
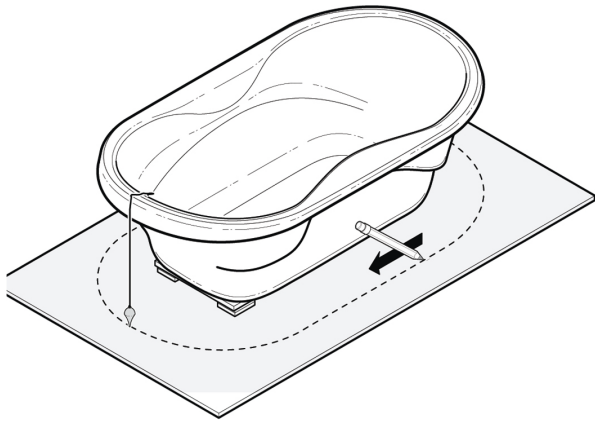
Drop-In installation

Bathtub without a drilling template

Lay the bathtub on a piece of plywood which will be used to cover the island.

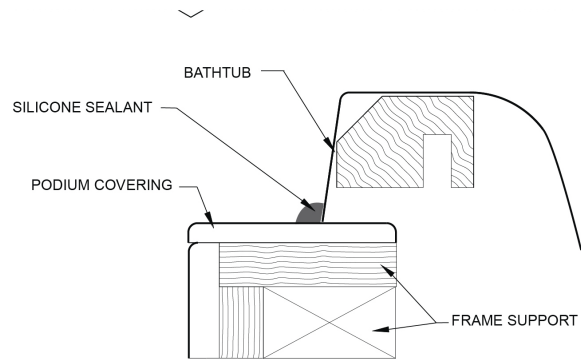
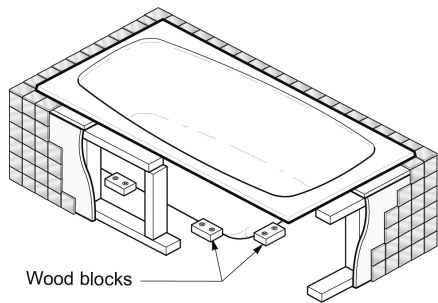
Using a level or a plumb line, mark the contours of the bathtub onto the piece of plywood.

Cut 3/4" (19 mm) inside the traced line, and install the piece of plywood on top of the island. (See diagram below)



Level the bathtub within the podium, and fasten six (6) wood blocks around the perimeter of the bathtub to secure it into position (Blocks not supplied). The bathtub must be supported by the island 3/4" (19 mm), and the floor; never by the island alone.

* If necessary, remove wood blocks under the edge of your bathtub.



Alcove installation

Construct the alcove in accordance with Fig. A using your tub dimensions.

NOTE: Structure measurements must be verified against your actual unit to ensure a proper fit.

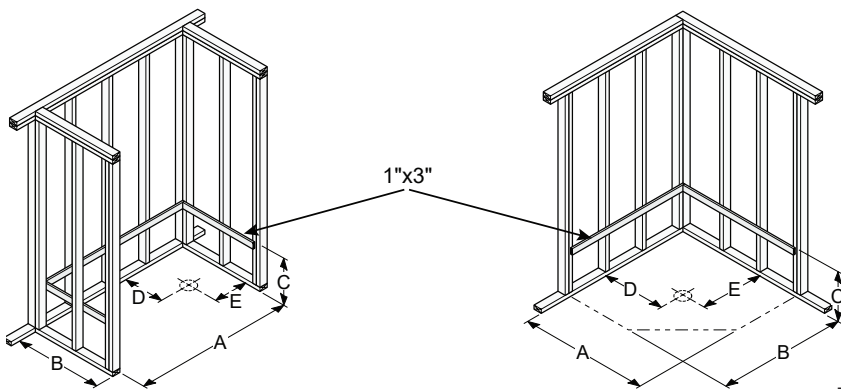
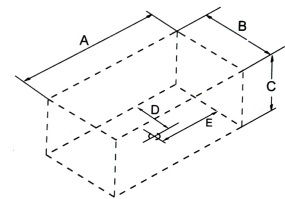


Fig. A



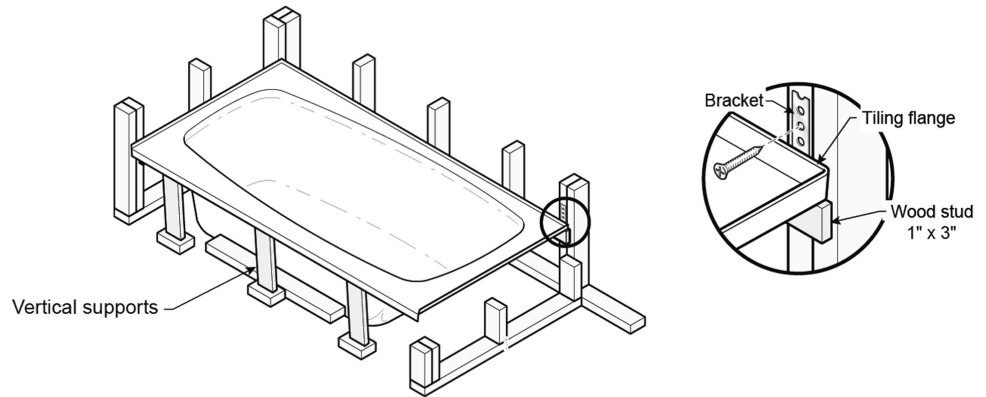
NOTE: All measurements may vary ($\pm 1/4"$). For easier installation, add 1/4" (6 mm) to dimensions A, and B only. If necessary, remove the wooden blocks under the edge of the bathtub.



Some units are available with left-hand, right-hand, or centre drains; check the drain position, and double check all dimensions before drilling the floor.

Connecting the plumbing

Connect the plumbing (drain, overflow, faucets, etc.) according to local building codes, and keep to the general rules in this guide. Make sure that all joints are waterproof. Fill up the bathtub with water to inspect for leaks.



Finishing up

Install the finish covering over the island, and fill the joints with a silicone sealant.

Install a standard 1" x 3" piece of wood (not provided with your product) [$3/4" \times 2 1/2"$ | 2 cm x 6.3 cm] all around the alcove, at height **C** (Fig A). The 1" x 3" must be cut down to 1 1/4" inside dimension **B** (Fig A).

Install, and level the bathtub within the alcove, and secure vertical supports along the front of the bathtub (See diagram below).

Note: Leave a space in front of the supports to allow space for the apron, if applicable to your product. Ensure that these vertical supports do not press on any jets or piping you may have installed.

Construct the alcove in accordance with Fig. A using your tub dimensions.

NOTE: Structure measurements must be verified against your actual unit to ensure a proper fit.

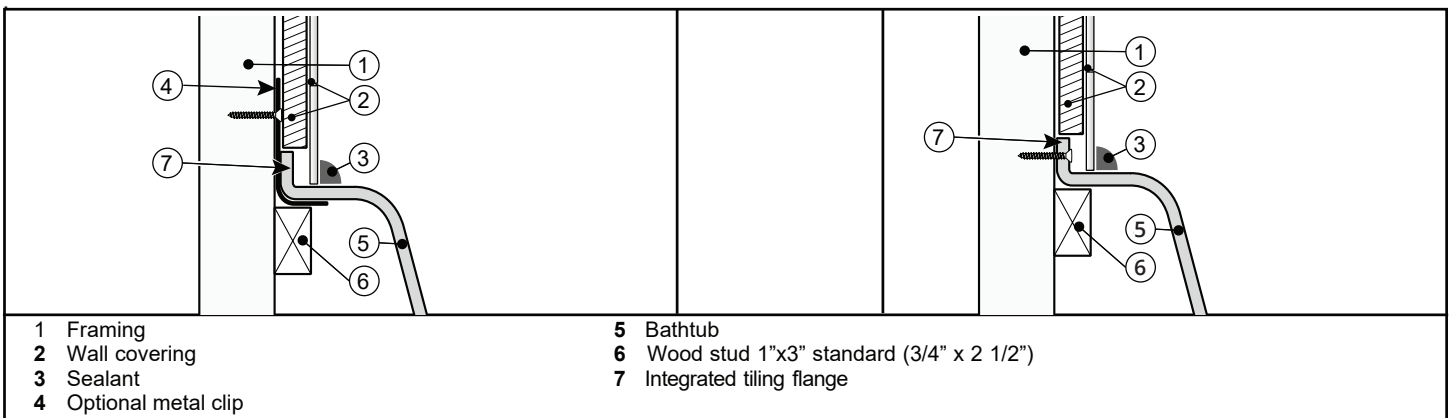
Incline the support as required to allow easy installation.

The bathtub cannot be supported by the wood under the tiling flange as it is not designed to carry the weight of the bathtub. Rather, your bathtub should be supported by the wood studs, and the floor; using wood shims if necessary.

Connect plumbing (drain, overflow, faucets, etc.) according the local standards, and using the general rules found in this guide. Ensure that all plumbing joints have waterproof seals before use.

Note: The apron, and if applicable, the wall, must be installed before proceeding to the finish.

Install your wall finish around the bathtub. The wall finish should overlap the integrated tiling flange (2). Seal the joint between the bathtub and wall finish with a bead of silicone (3).



Maintenance

General cleaning: Cleaning can be accomplished with hot, soapy water and a damp cloth. Whirlpool systems can be cleaned by running bleach, or a mixture of baking soda and vinegar through the system while in use; then cycling the cleaner. After cleaning is complete, refill with water, and allow the system to run through a thorough rinse; cycling the water through the whirlpool jets to clear them. Weekly cleaning is recommended for tubs and whirlpool jetting systems.

Regular cleaning provides an effective defense against various types of bacteria capable of developing in deposits which can build up over time in all bathtubs and showers.

For acrylic surfaces, occasional use of special acrylic surface cleaners will add luster and protect your finish. Do not use abrasive cleaners, scrapers, metal brushes, or any items or products that could scratch or dull the surface.

Removing joint compound: Use a plastic or wood spatula covered with a damp cloth. Do not use any metal blades or a metal brush. If a rubber mat is used, it must be removed immediately after each use. Ignoring this recommendation will cause damage not covered by the warranty.

Congratulations on becoming a part of the Valley Acrylic family. You are now the proud owner of one of Canada's best made & most hygienic bath products; proudly made in Canada, by Canadians.

Valley Acrylic Product Guide

33778 North Railway Ave
Mission BC, V2V1H6

Toll Free 1.877.398.8827(TUBS)

Fax (604)820.0124

Email Sales@valleyacrylic.com

Website www.ValleyAcrylic.com