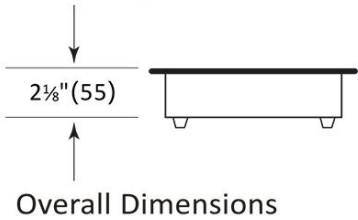
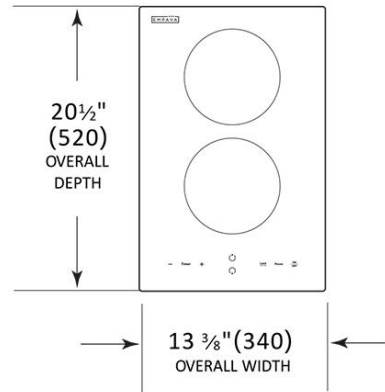


Installation

MODEL EMPV-IDC12
120V 60Hz
1800W



MODEL	EMPV-IDC12
Overall Width	13 3/8" (340)
Overall Depth	20 1/2" (520)
Overall Height	2 1/8" (55)
Minimum Height Clearance	5 3/16" (132)
Cut-Out Depth	Min 19 7/8" (504) / Max 20 1/16" (510)
Cut-Out Width	Min 12 3/8" (314) / Max 12 9/16" (320)

