

Assembly Instructions: 4074-2, 3, 4 (Belle Meade)

IMPORTANT:

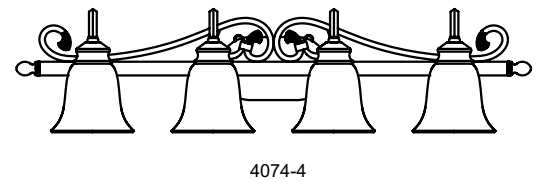
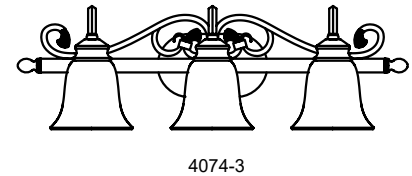
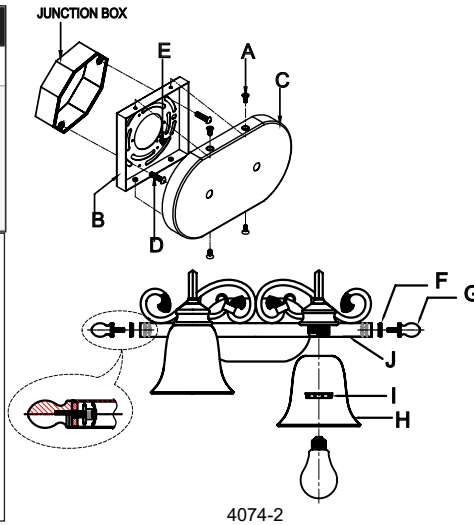
- ALL INSTALLATION WORK SHOULD BE DONE BY ACCREDITED PROFESSIONAL.
- SHUT OFF POWER SUPPLY AT FUSE OR CIRCUIT BREAKER!
- USE ONLY THE SPECIFIED BULBS. DO NOT EXCEED THE MAXIMUM WATTAGE!

For Customer Service, contact the place of purchase.

How to Identify the Fixture's Wires		
Hot	Neutral	Ground
Smooth	Ribbed	Bare Metal, Green, or Green Inner Thread
Black	White	
Black Inner Thread	White Inner Thread	Thread

House Wires
Hot
Neutral
Ground

Fixture Wires
Hot
Neutral
Ground



PREPARING FOR INSTALLATION

1. Remove all of the contents from the carton. See the important notes above. Shut off the power at the circuit breaker and completely remove the old fixture from the wall, including the old mounting strap.
2. Mounting strap (B) is attached to the back of the fixture. The mounting strap contains several pairs of threaded holes. Find the pair of holes that matches the spacing of the holes on the junction box and your fixture's backplate. Pull the house wires through the center of mounting strap (B). Place mounting strap (B) over the junction box and secure mounting strap (B) to the junction box with mounting screws (D) and a screwdriver. Tighten the screws securely.

CONNECTING THE WIRES

3. Have an assistant support the fixture's weight while completing the wiring. Cut away the excess wires. Refer to the wiring diagram below and attach the fixture's wires to the power supply wires from the junction box. Connect Hot to Hot, Neutral to Neutral, and Ground to Ground. Twist the ends of the wire pairs together, and then twist on a wire connector. Make sure all twists are in the same direction. If there is no house ground wire coming from the junction box, locate ground screw (E) on the mounting bracket/mounting strap and wrap the fixture's ground wire around the ground screw. Use a screwdriver to tighten the top of ground screw (E) onto the wires and into the mounting bracket/mounting strap. Tuck the wires into the junction box.

FINISHING THE INSTALLATION

4. Place backplate (C) over mounting strap (B). Thread deco screws (A) into the holes in backplate (C). Twist until the backplate of the fixture is snug against the wall.
5. Carefully slide shades (H) over the sockets and secure in place by threading socket rings (I) over the threads of the sockets.
6. Carefully thread spacers (F) and finials (G) into the ends of bar (J).
7. Twist light bulbs (not provided) into the sockets in accordance with the fixture's specifications. Do not exceed the maximum wattage.

Your installation is now complete. Turn on the power and test the fixture.

CLEANING TIPS

Treat the fixture gently! Regular cleaning will reduce the need for deep cleaning. For regular cleaning, turn off the light and wipe down the fixture with a clean lint-free cotton or microfiber cloth. Never spray cleaner directly onto the fixture.