



NOVATTO

UPD-MB mbrella Drain, Matte Black

Requested By: _____

Specific Features: _____

STANDARD SPECIFICATIONS:

- Umbrella vessel sink drain
- Matte black finish
- Solid brass construction
- Drain includes: rubber seals and fastener
- Drain: 9.5-inches total length
- Fits any standard 1.75-inch drain opening
- cUPC
- Drain STAYS open

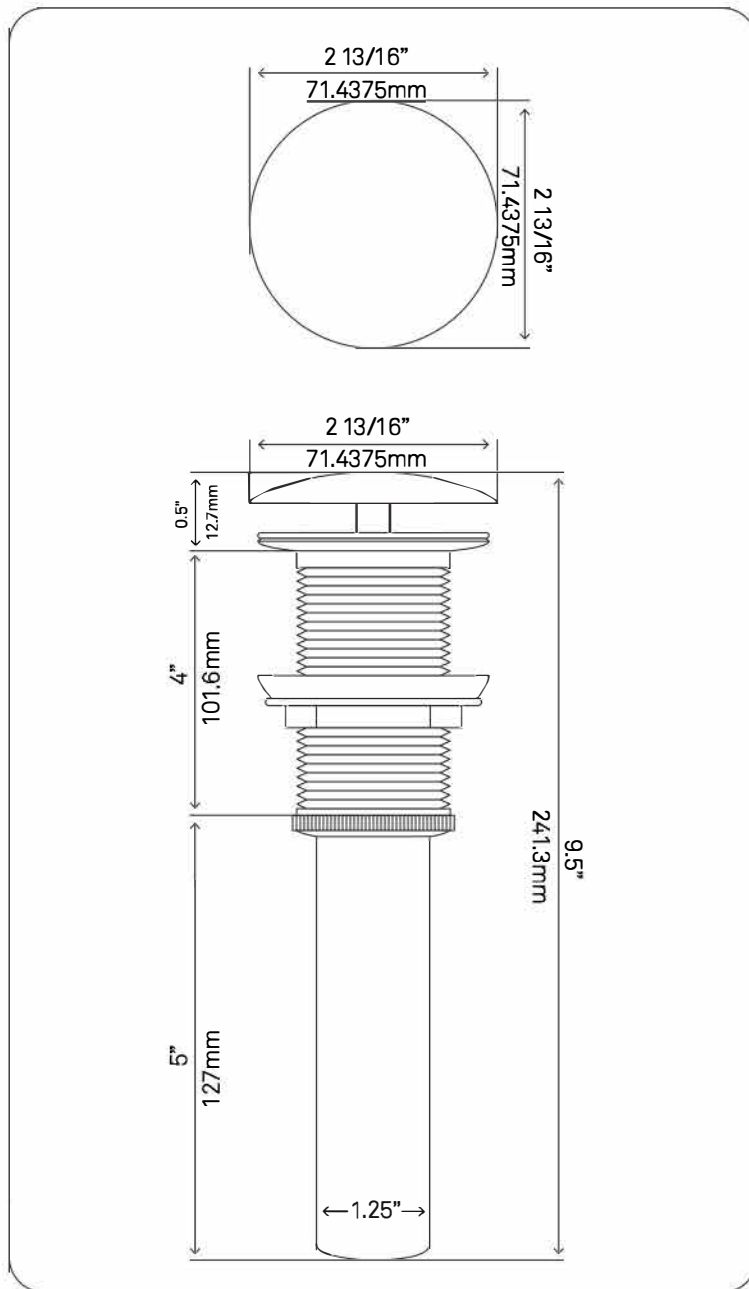
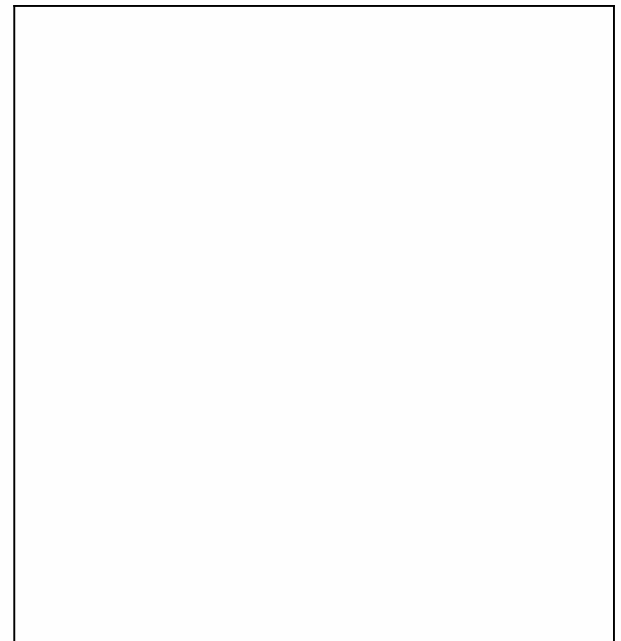
WARRANTY:

- Limited lifetime warranty
- See www.Novatto.com for details

COORDINATING ACCESSORIES:

- Glacier Ice Restoration and Sealer kit
- Matching mounting ring in matte black - MR001-MB

NOTES



Novatto reserves the right (1) to make changes in specifications and materials, and (2) to change or discontinue models, both without notice or obligation. Dimensions are for reference only, see www.Novatto.com for finish options and product availability.

Novatto Inc
TOLL FREE 844.404.4242
www.Novatto.com