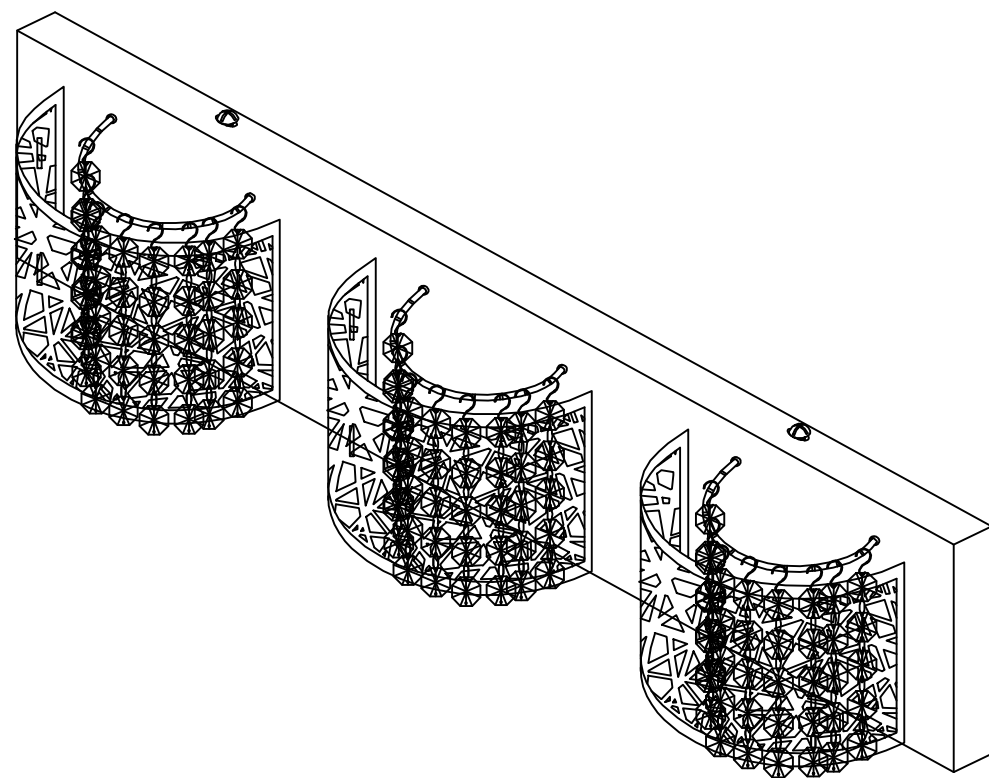


Contemporary Lighting

PRODUCT NAME: Inca
ITEM NUMBER: E21316-10BZ

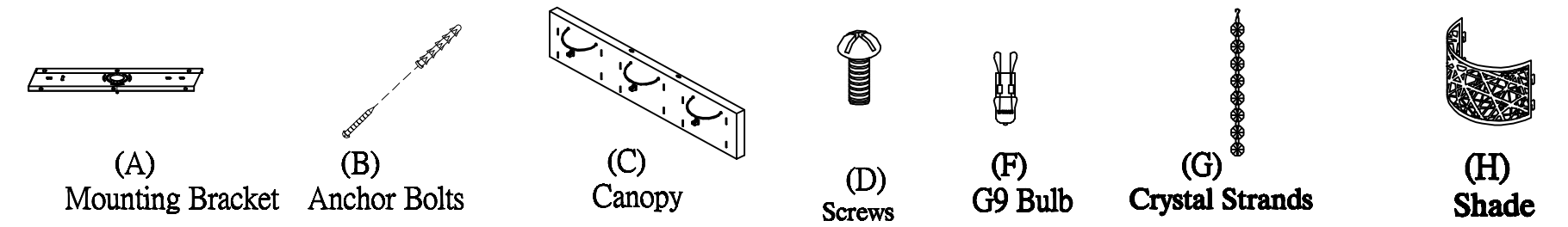
Please consult your electrician for hanging fixture and wiring.



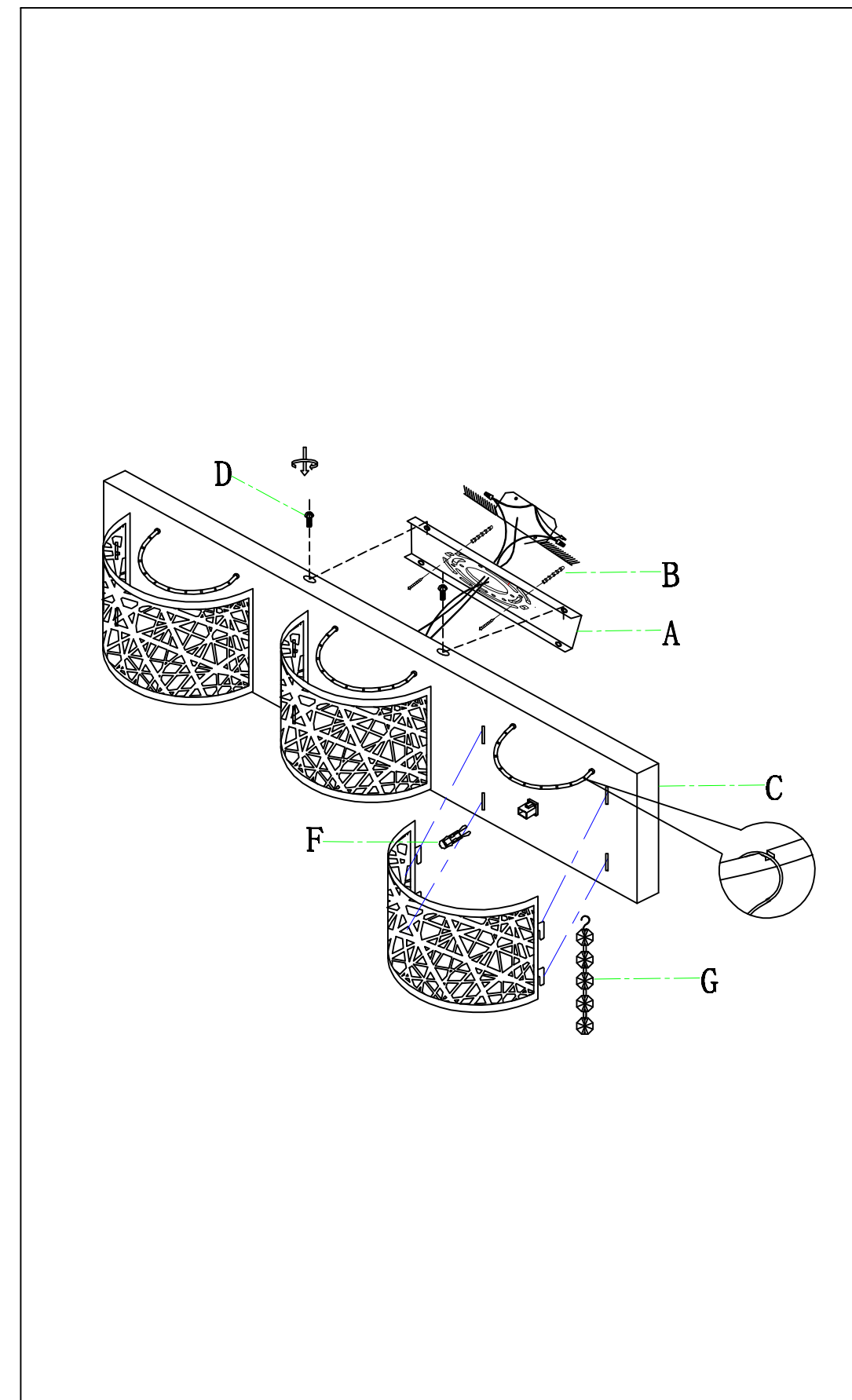
Caution: Xenon bulbs get very hot and may burn you. Always make sure bulbs are off for a minimum of 10 minutes before handling. Fixture may be dimmed using an electronic low voltage dimmer.

Bulbs (Included): G9X40W

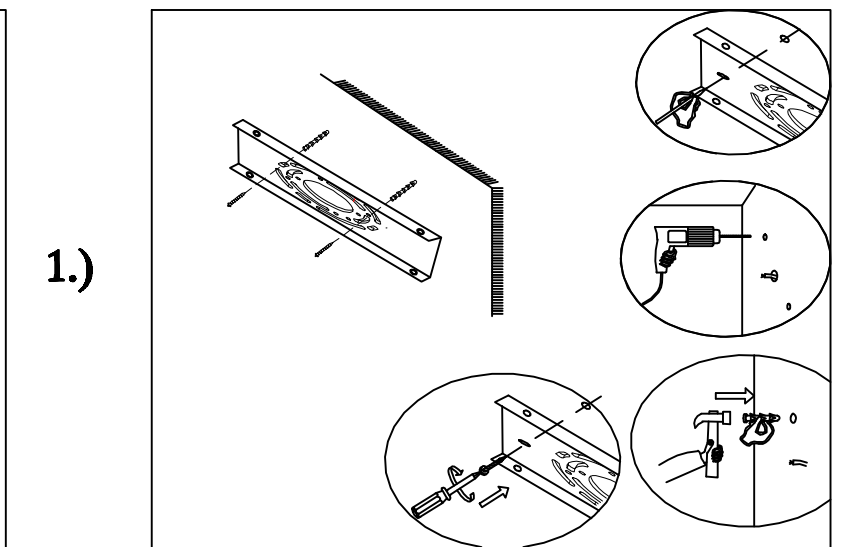
IMPORTANT: Turn off the power at the main fuse or circuit breaker box before starting installation



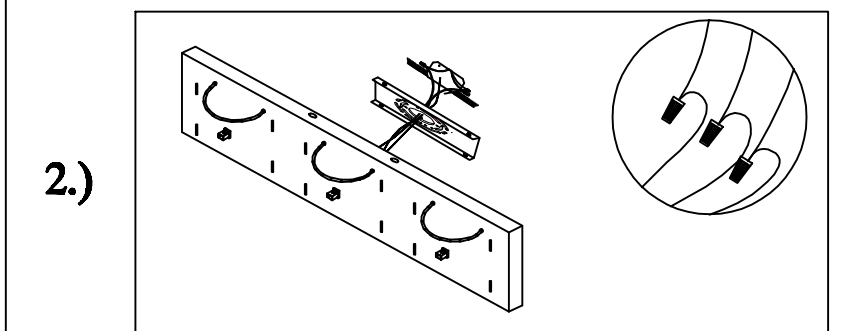
Locate all hardware & components before discarding packaging



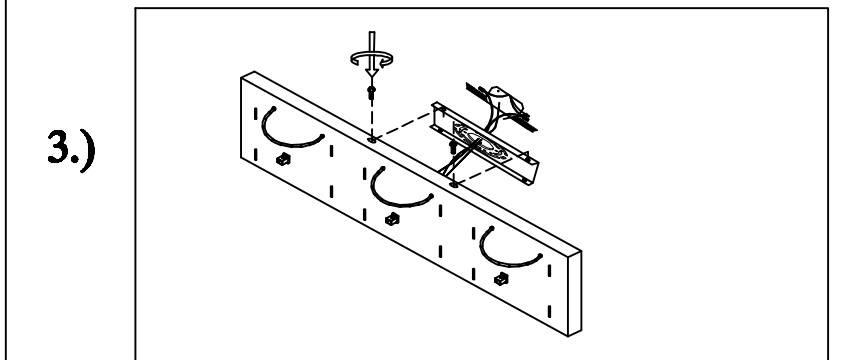
Cleaning & Care:
Clean with soft cloth and a mild detergent.
Do not use abrasive cleaner.



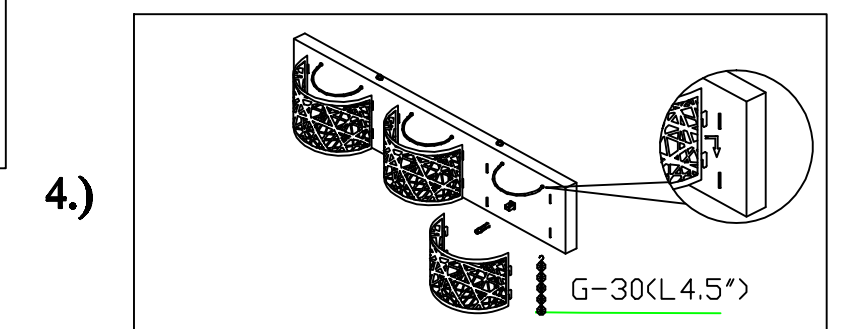
1.) **Step.1:** Remove mounting bracket (A) from Canopy (C) to install to electrical box



2.) **Step.2:** Wire fixture to wires in outlet box. Green wire is for Ground.



3.) **Step.3:** Secure fixture to mounting bracket using screws (D).



4.) **Step.4:** Slide shade (H) onto clips, install G9 bulbs (F) and hang crystal strands (G).