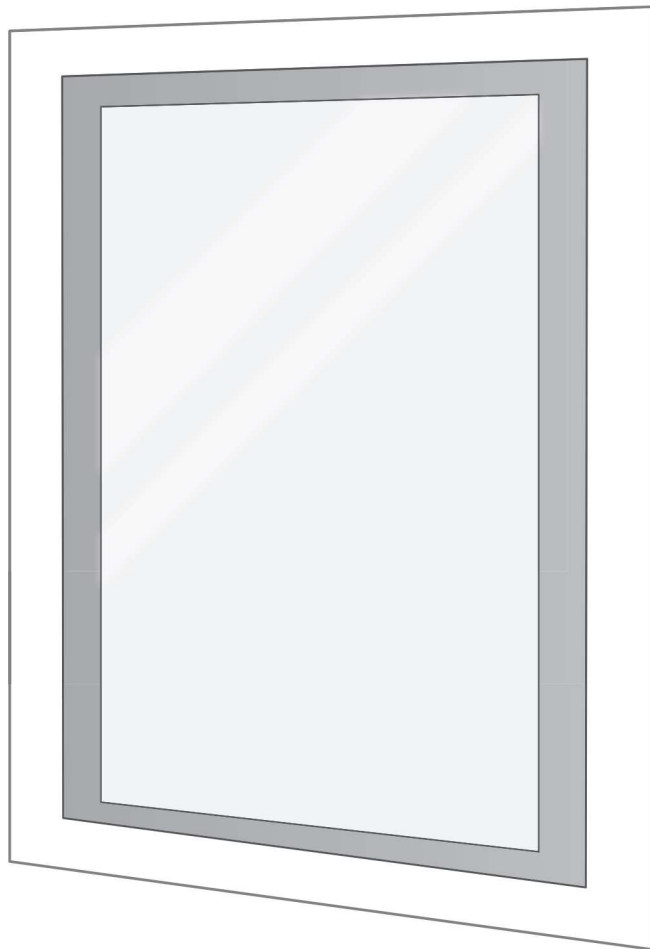


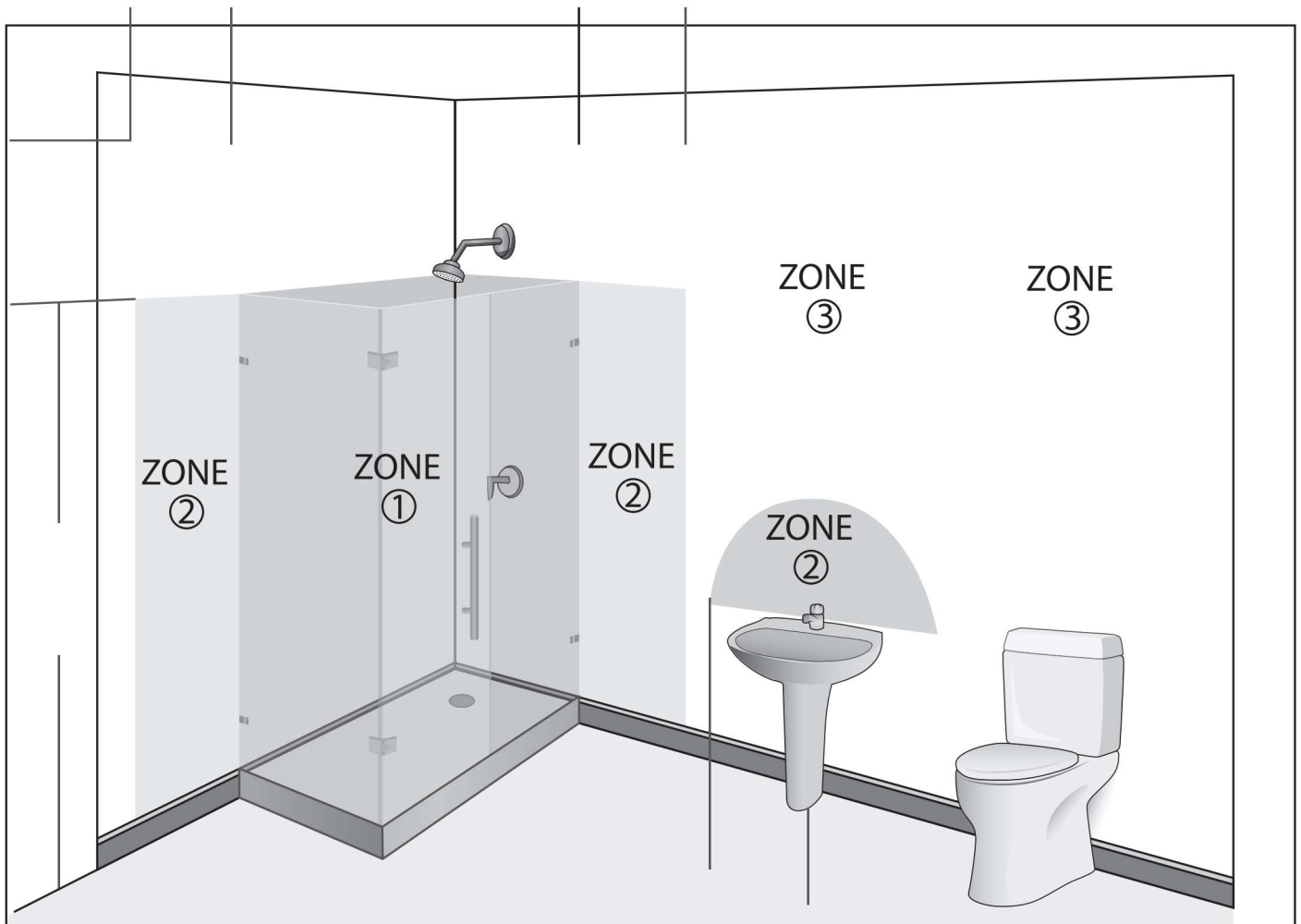
ICON

Bathroom Mirror Installation & User Guide



WARNING

- All fittings must be installed in accordance with current IEE wiring regulations. If in doubt, consult a qualified electrician.
- Switch off the electrical supply at the main circuit board BEFORE installation and maintenance.
- Suitable for Bathroom Zones 2, 3 and non bathroom/dry areas. See diagram below.
- NOT suitable for above baths or Zone 1 nor for installation in Saunas, Steam Rooms or Shower Cubicles.
- DO NOT connect to a plug and socket outlet. Suitable for indoor use only.
- DO NOT fix to damp or conductive surfaces.
- Site well away from curtains and fabrics.
- Never cover the mirror.
- Switch off after use.



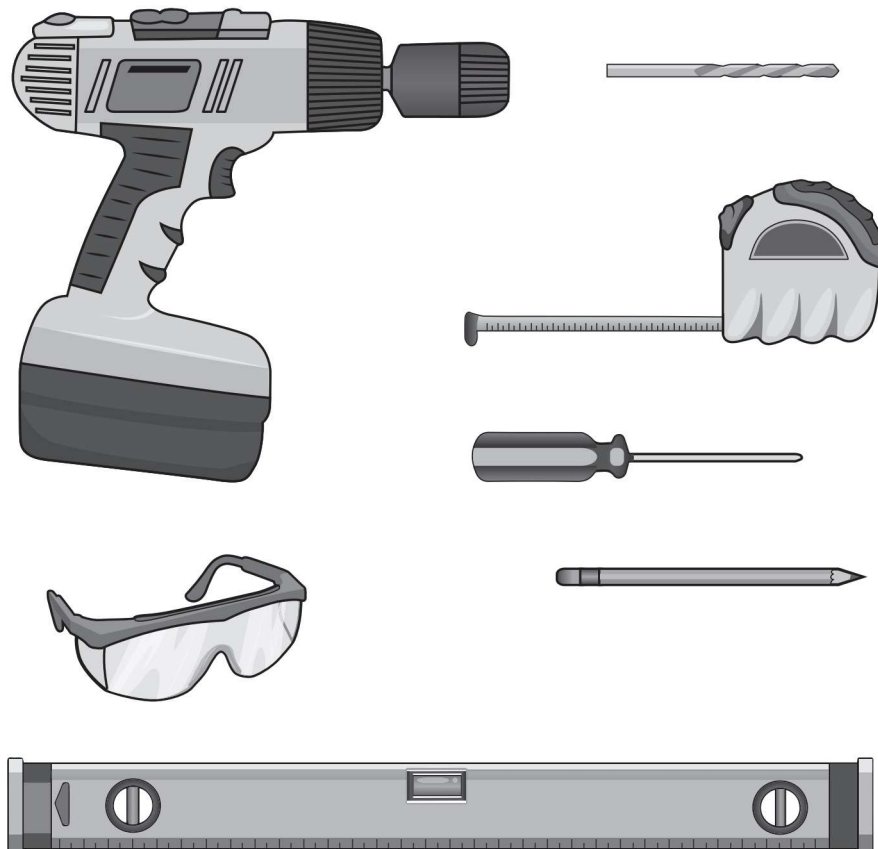
IMPORTANT—BEFORE YOU BEGIN

- Inspect the product immediately upon receipt for transit damage or missing parts.
- Handle the product with care and protect against knocks to all sides and edges of the glass.
- Make sure that you have all the tools you need to complete the job. (SEE BELOW)
- Ensure there are no hidden pipes or cables in the wall before drilling.
- If drilling holes in ceramic tiles use a piece of masking tape on the tile to stop the drill bit from slipping.

Aftercare Instructions

- Clean using a soft dry cloth only when turned off.
- Never use cleaning agents or abrasive materials.
- Do not allow moisture to come into contact with lamps.

TOOLS USED



ELECTRICAL WIRE INFORMATION

Icon Electrical Connection

The LED Driver inside Icon mirror already has converted the electric to 110 volts. You are able to connect lead coming out the back of the mirror directly to your electrical connection box.

The Lead Contains 3 Wires:

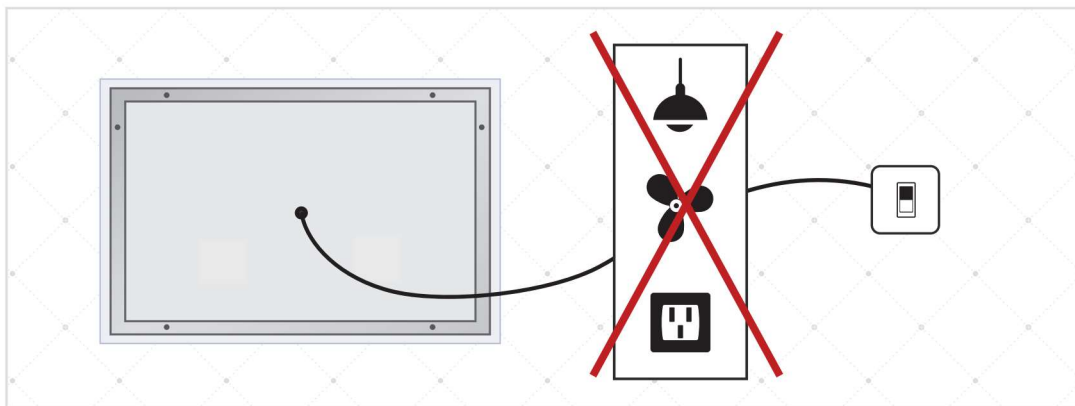
COPPER WIRE (GREEN) = *GROUND WIRE*...Connect to *GROUND WIRE* in your box, or to the box as a ground.

WHITE (or BROWN) = *NEUTRAL WIRE*...Connect to the *WHITE NEUTRAL WIRE* in your box.

BLACK (or BLUE) = *HOT WIRE*...Connect to the *BLACK HOT WIRE* in your box.

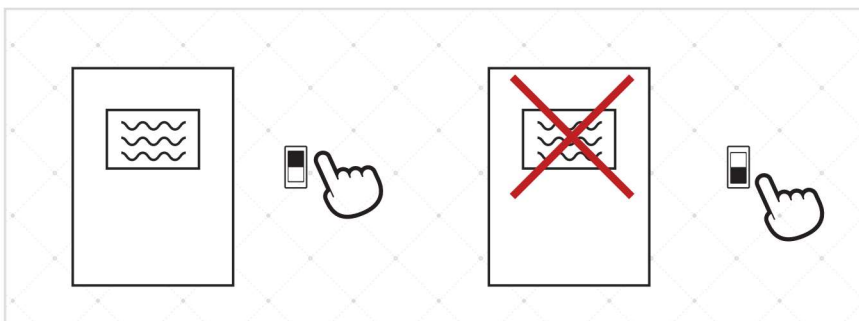
The Icon wires will be connected to your 110 Volt electric box. This should be placed in the wall, behind your Icon Mirror. The suggested method for placement is towards the center, however there is flexibility with the lead wire.

Icon Mirror requires a dedicated electrical line

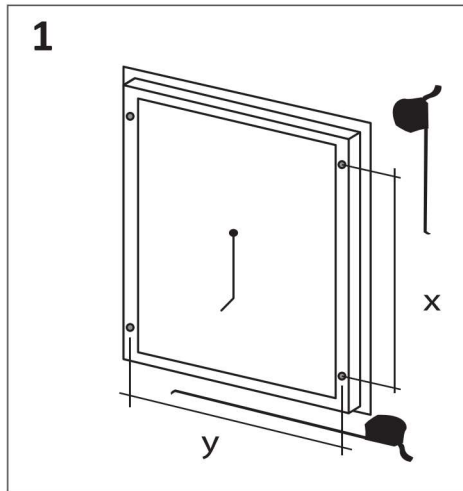


*Install optional outside switch to control the defogger
Refer to how to use guide for more information*

You CANNOT use an outside dimmer with the mirror

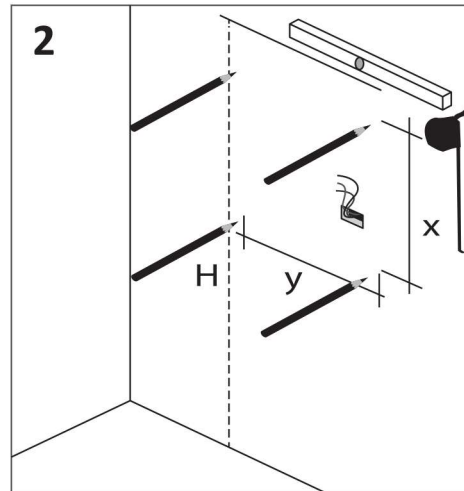


INSTALLATION GUIDE



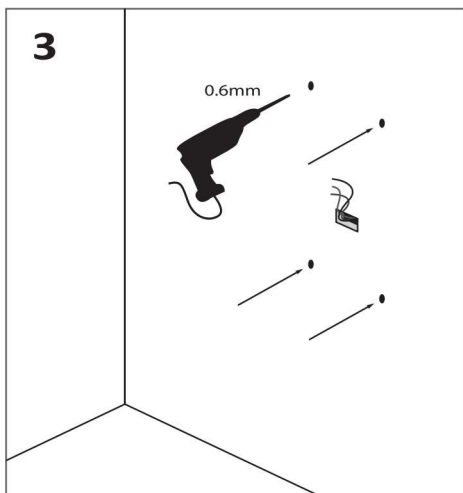
1

Measure distance between anchor positions



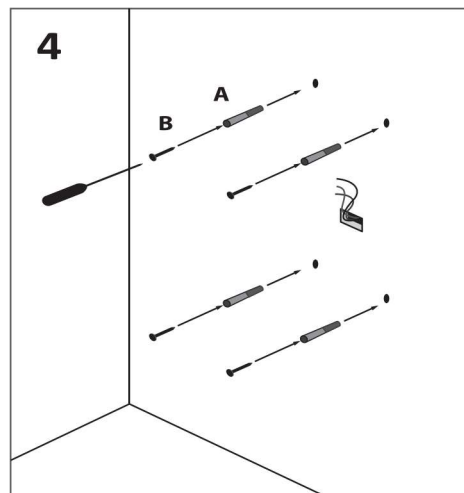
2

Mark hole positions on the wall ready for drilling



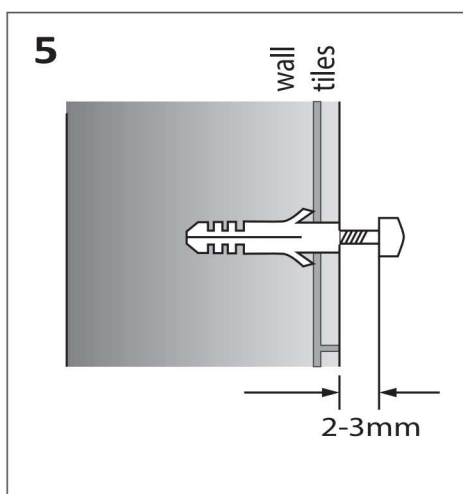
3

Carefully drill each of the holes



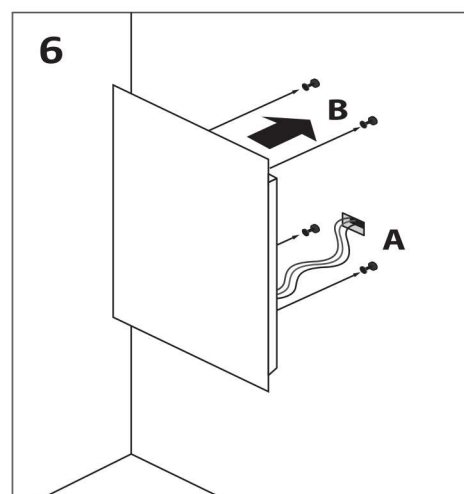
4

Insert anchors into predrilled holes



5

Drive in the screws leaving 2-3mm showing



6

Hang the mirror with care onto the screws making sure it's secure

USE AND MAINTENANCE

- The interior is constructed of mirrored glass and aluminum. Use only a damp cloth to clean. Ammonia or vinegar-based cleaners can damage mirrors.
- When cleaning, spray the cloth, not the mirror, or surrounding surfaces. Do not use abrasive cleansers on any part of the light fixture.

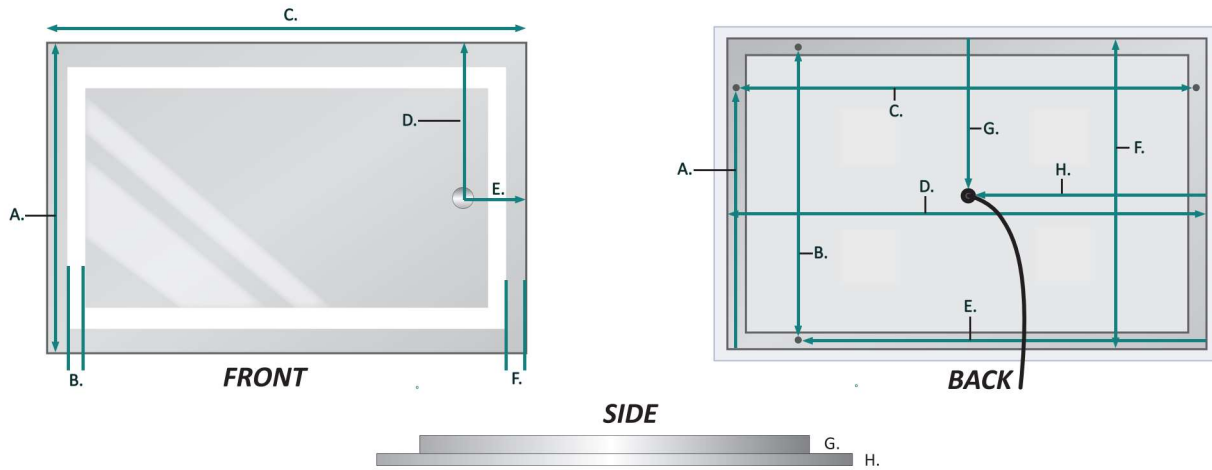
LIMITED WARRANTY

Subject to the terms and conditions specified herein, Krugg Reflections USA LLC, (“KRUGG”) hereby extends a limited lifetime warranty (this “Limited Warranty”) to original Purchasers (as defined below) of the Krugg LED Medicine Cabinet (the “Product”) with respect to certain specified components of the Product. Specifically, KRUGG, by this Limited Warranty, warrants that, for the durations specified herein, Products purchased directly from KRUGG or KRUGG’s authorized retailers will be free of defects in the material and workmanship of the Product’s electrical components, glass, mirrors, and certain mechanical components, which defects would cause the Product to substantially fail to function when subject to normal use.

COMMERCIAL WARRANTY

Subject to the terms and conditions specified herein, Krugg Reflections USA LLC, (“KRUGG”) hereby extends a limited one-year warranty (this “Limited Warranty”) to Commercial Purchasers (as defined below) of the Krugg Stainless Steel Laundry Bin & Hamper (the “Product”) with respect to the external finish of the Product. Specifically, KRUGG, by this Limited Warranty, warrants that, for a one-year period, the finish on Products purchased directly from KRUGG or KRUGG’s authorized retailers will be free of defects in workmanship and material.

Additional Warranty Information can be found @ <http://www.kruggusa.com>
For any installation and warranty related issues, contact us at info@kruggusa.com



FRONT & SIDE

MODELS	A	B	C	D	E	F	G	H	ELECTRIC CURRENT	WATTAGES
ICON1830	18	1-1/8	30	9	5	1-5/8	1-3/8	3/16	0.34A	37.4W
ICON2032	20	1	32	10	5-1/4	1-5/8	1-3/8	1/4	0.41A	45.1W
ICON2436	24	1-1/8	36	12	5	1-5/8	1-3/8	3/16	0.46A	50.6W
ICON2424	24	1-1/4	24	12	5	2	1-1/2	1/4	0.33A	36.3W
ICON2424sq	24	1	24	12	5	1-5/8	1-1/4	1/4	0.33A	36.3W
ICON4824	24	1-1/4	48	5	24	1-1/2	1-1/4	1/4	0.49A	53.9W
ICON5424	24	1	54	5-3/8	27	1-5/8	1-3/8	1/4	0.54A	59.4W
ICON6030	30	1-1/8	60	5	30	1-5/8	1-1/16	1/4	0.66A	72.6
ICON47230	30	1-1/8	72	5-1/2	30	1-11/16	1-5/16	1/4	0.68A	74.8W

BACK

MODELS	A	B	C	D	E	F	G	H
ICON1830	13-3/8	16-1/2	28-3/8	29-1/4	19-3/4	17-5/16	8-13/20	14-3/4
ICON2032	15-1/8	19-1/4	30-1/2	31-1/8	27-1/4	19-1/4	9-3/4	15-3/8
ICON2436	22-3/8	23-1/4	34-1/4	35-3/8	31	19-1/4	9-5/8	17-7/8
ICON2424	-	17-5/8	17-5/8	21-1/2	-	21-1/2	12	12
ICON2424sq	-	22-1/2	22-1/2	23-1/8	-	23-1/8	11-1/2	11-1/2
ICON4824	19-1/4	22-3/8	46-3/8	47-1/8	44	23-1/8	12	24
ICON5424	19-1/4	22-1/2	52-3/8	53-1/8	49-1/4	23-1/8	12-1/2	25-7/8
ICON6030	25-1/8	28-3/8	58-3/8	59-1/8	56-7/8	29-3/16	14-3/5	29-9/16
ICON47230	25-1/4	28-1/2	70-1/2	71-3/8	-	29-1/8	-	-