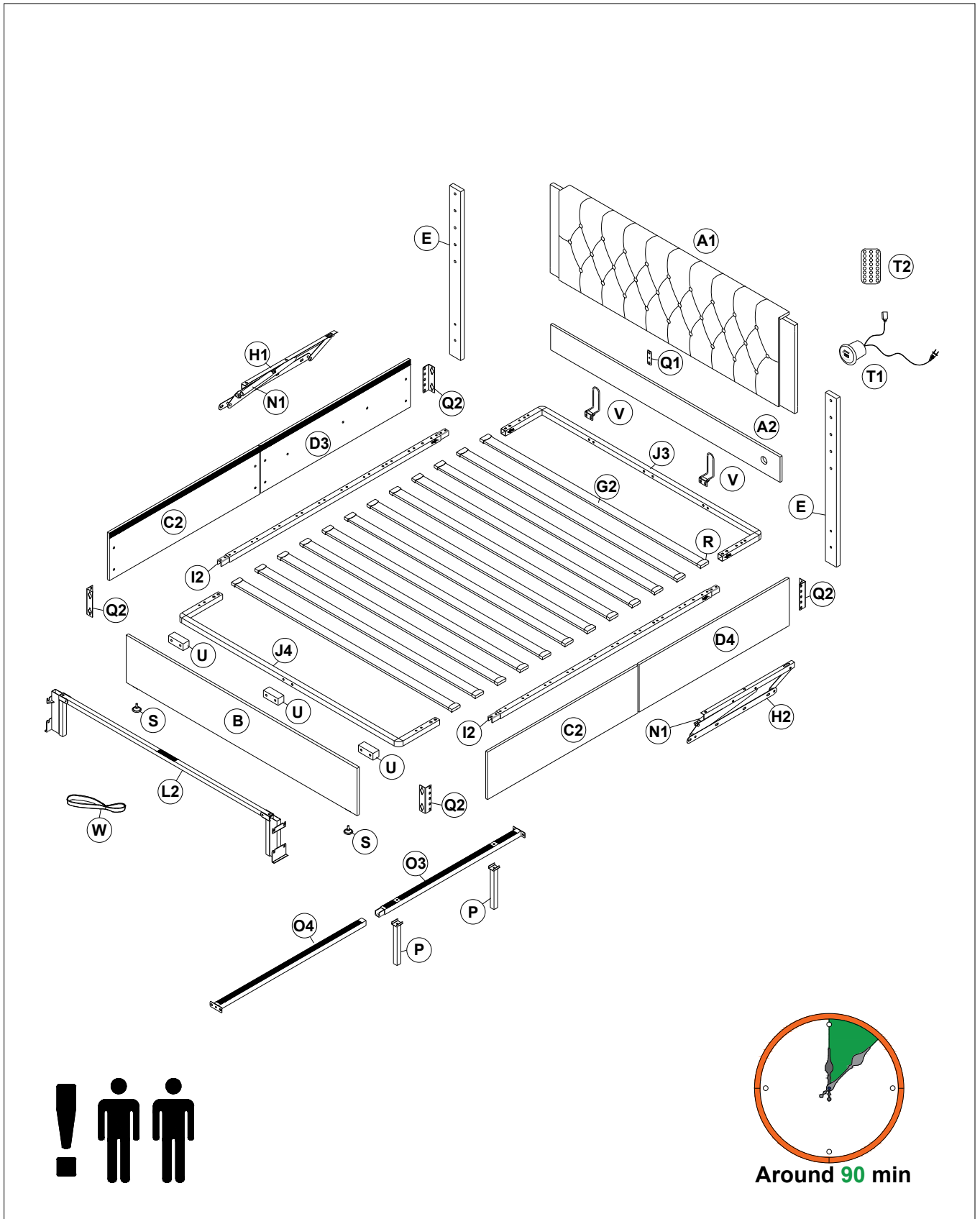


ITEM NO. Z6BDKR0352 Queen Bed

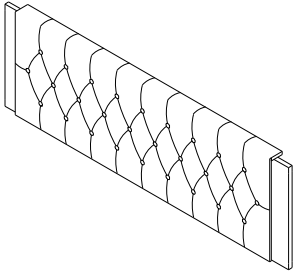
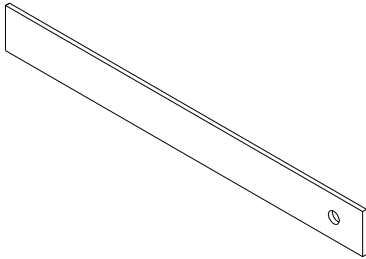
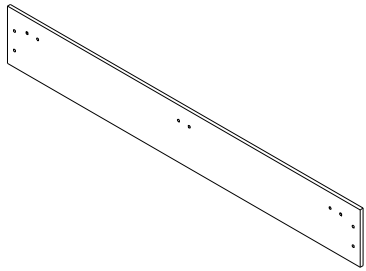
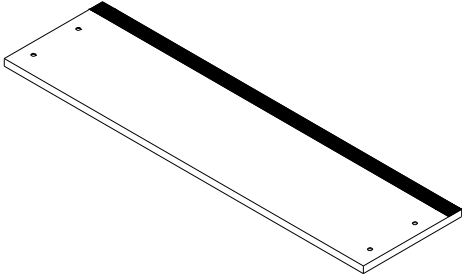
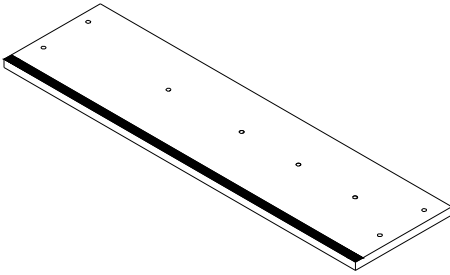
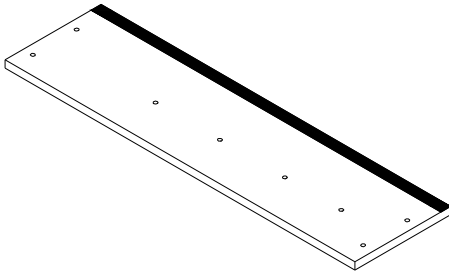

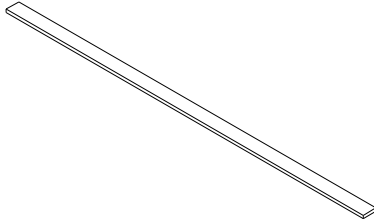
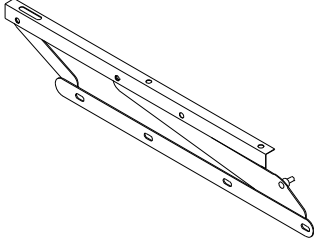
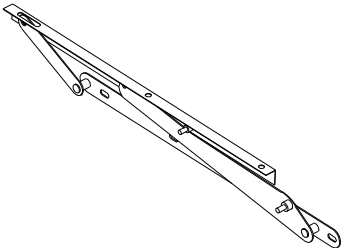
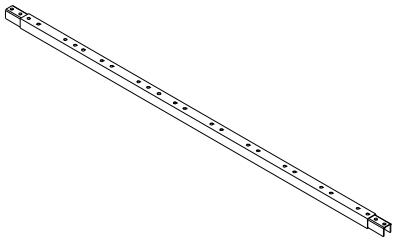
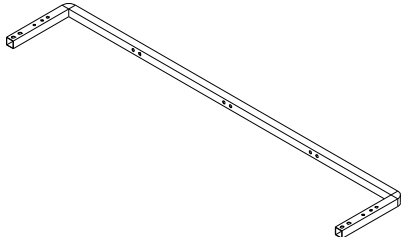
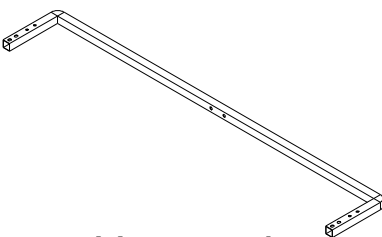
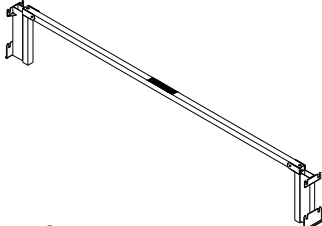
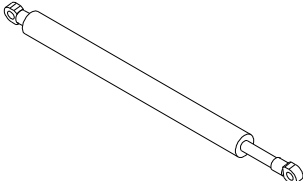
Thank you for purchasing the bed . Please read the instructions and warnings carefully before use, to ensure safe and satisfactory operation of this product. At hulalahome we are committed to making great products possible. From our in-house Design Team, to our Buyers, we work together to bring great designs to life. Our expert Product Technologists work collaboratively with our buyers and suppliers to assure the legality, safety and quality of the product we sell. We are all committed to designing and developing products to the highest industry standards. We hope you are happy with your product and welcome any feedback or comments you may have.

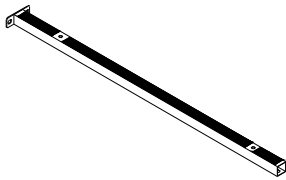
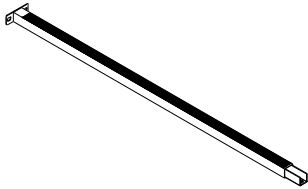

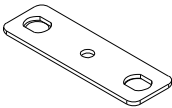
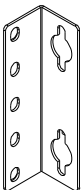
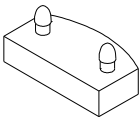
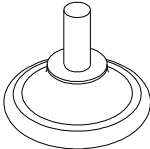
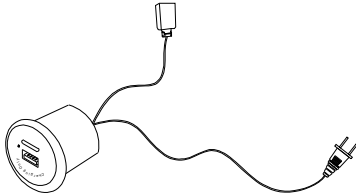
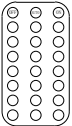
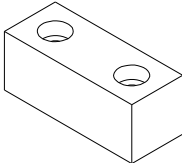
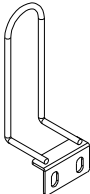

Exploded Diagram



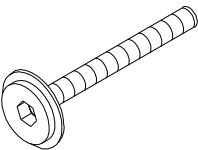
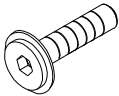
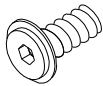
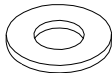
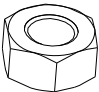
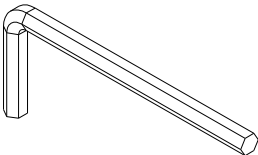
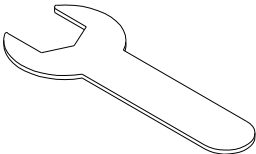
Be sure to check all packing material carefully for small parts, which may have come loose inside the carton during shipment.

PARTS LIST

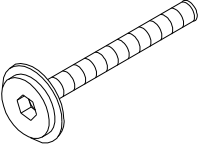
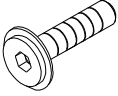
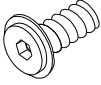
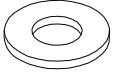
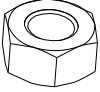
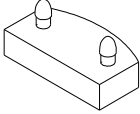
<p>A1 1x</p>  <p>Top Headboard</p>	<p>A2 1x</p>  <p>Under the headboard</p>	<p>B 1x</p>  <p>Footboard</p>
<p>C2 2x</p>  <p>Rear bed side</p>	<p>D3 1x</p>  <p>Left front bed side</p>	<p>D4 1x</p>  <p>Right front bed side</p>
<p>E 2x</p>  <p>Headboard leg</p>	<p>G2 12x</p>  <p>Slat</p>	<p>H1 1x</p>  <p>Left lift frame</p>
<p>H2 1x</p>  <p>Right lift frame</p>	<p>I2 1x</p>  <p>Vertical bar</p>	<p>J3 1x</p>  <p>Back U cross bar</p>
<p>J4 1x</p>  <p>Front U cross bar</p>	<p>L2 1x</p>  <p>Cross bar</p>	<p>N1 2x</p>  <p>Hydraulic rod</p>

O3  Front Middle support bar	1x	O4  Rear middle support bar	1x	P  Support leg	2x	Q1  Connector	1x
Q2  Connector	4x	R  Plastic cap	24x	S  Leg	2x	T1  Usb&type-c adaptor	1x
T2  Remote control	1x	U  Plastic block	3x	V  L stop	2x	W  Hand strap	1x

HARDWARE LIST

X1  M8*45mm	24x	X2  M8*30mm	12x	X3  M8*18mm	40x	Y1  Ø22*Ø8.5mm	8x
Y2  Nut M8	10x	Z1  Allen wrench 5#	1x	Z2  Spanner M8	1x		

SPARE LIST




<p>X1 2x</p>  <p>M8*45mm</p>	<p>X2 1x</p>  <p>M8*30mm</p>	<p>X3 3x</p>  <p>M8*18mm</p>	<p>Y1 1x</p>  <p>Ø22*Ø8.5mm</p>
<p>Y2 1x</p>  <p>Nut M8</p>	<p>R 2x</p>  <p>Plastic cap</p>		

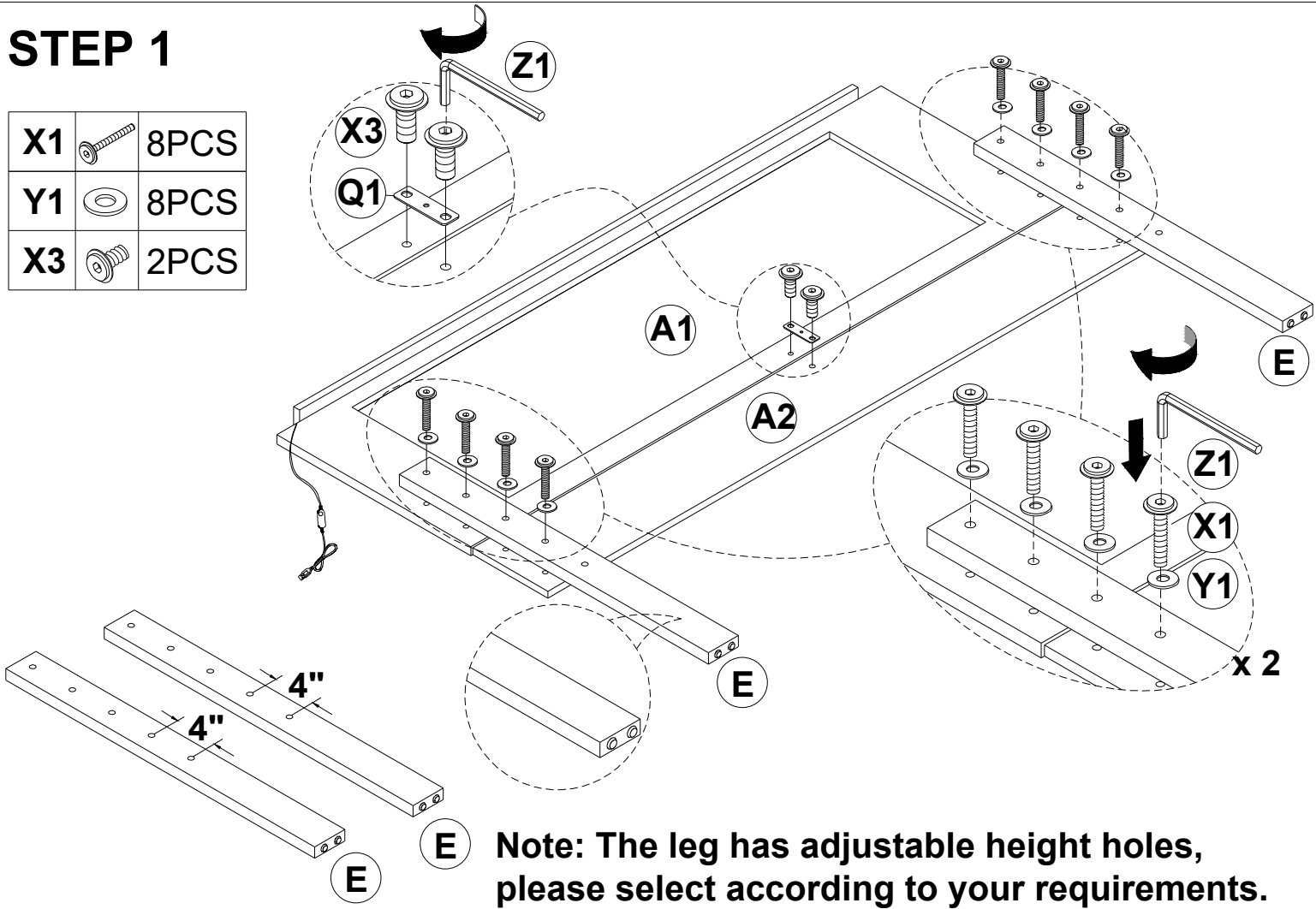
Before your installation, please make sure that you have all the parts listed on the manual. If you find something missing, stop installing and contact your supplier immediately.

NOTE: Please do not completely tighten all the hardware until the entire assembly is completed! Be sure to tighten all the hardware once the assembly completed.


NOTE: Should be assembled on soft surface to keep balance.

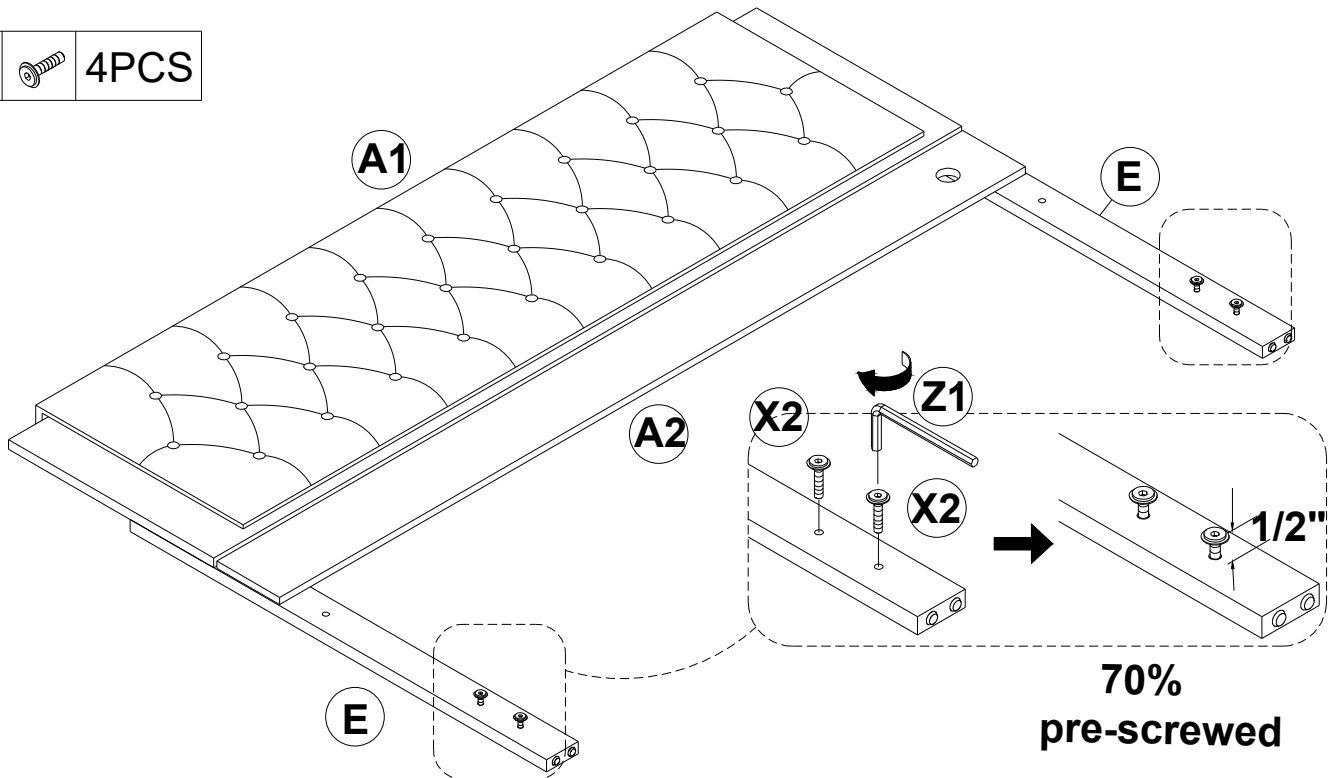
STEP 1

X1		8PCS
Y1		8PCS
X3		2PCS





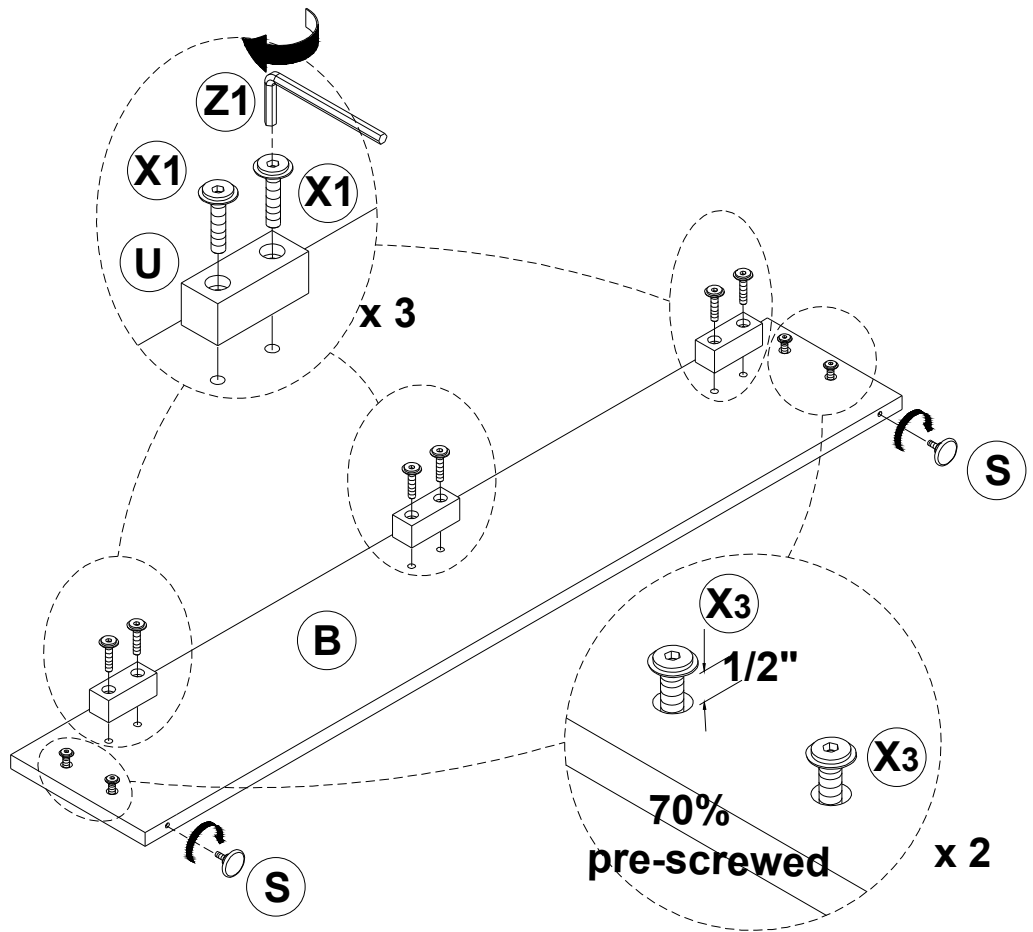
STEP 2

X2		4PCS
----	---	------




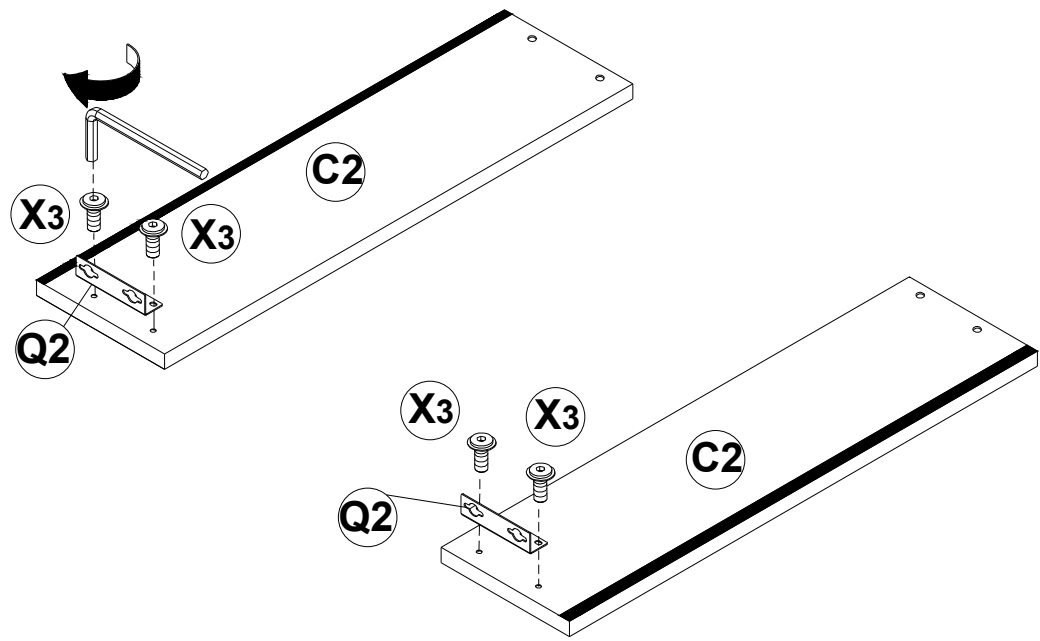
STEP 3

X1		6PCS
X3		4PCS

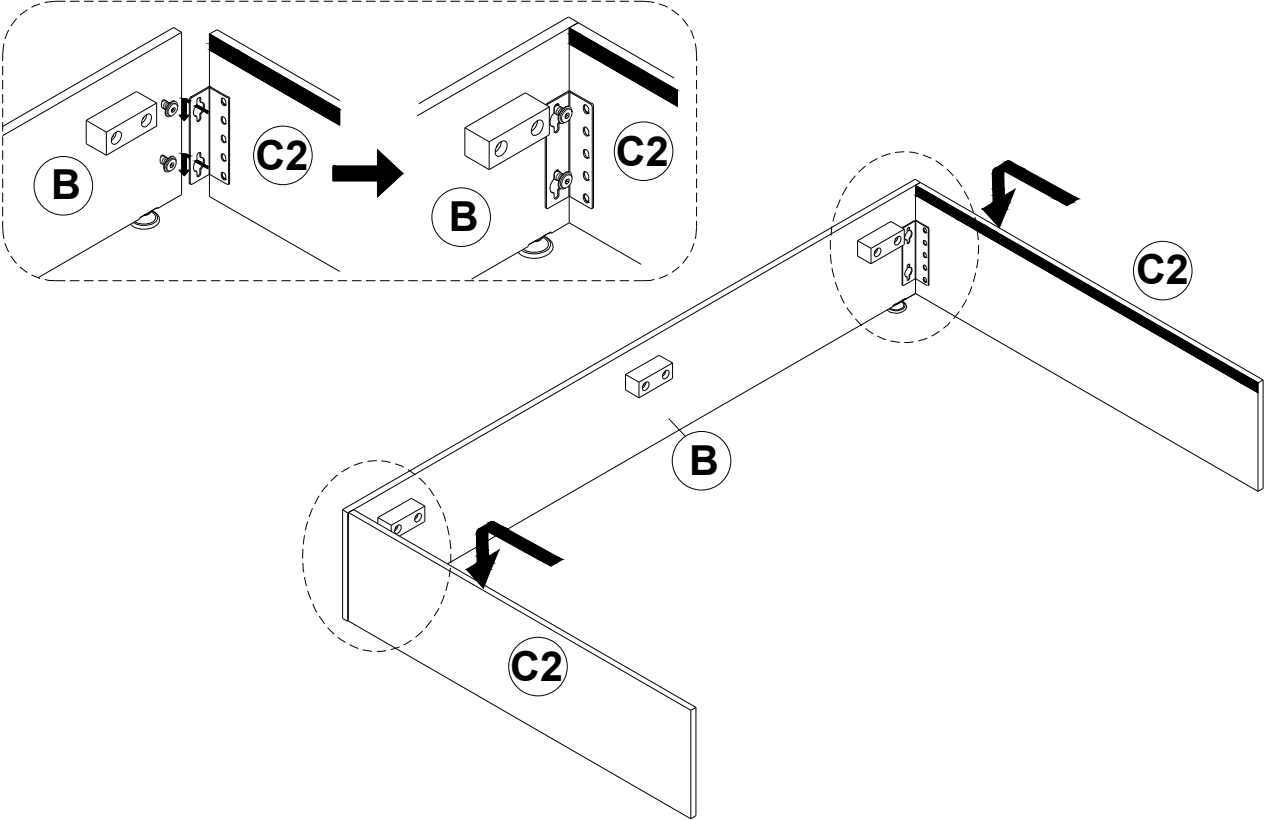


STEP 4

X3		4PCS
----	---	------

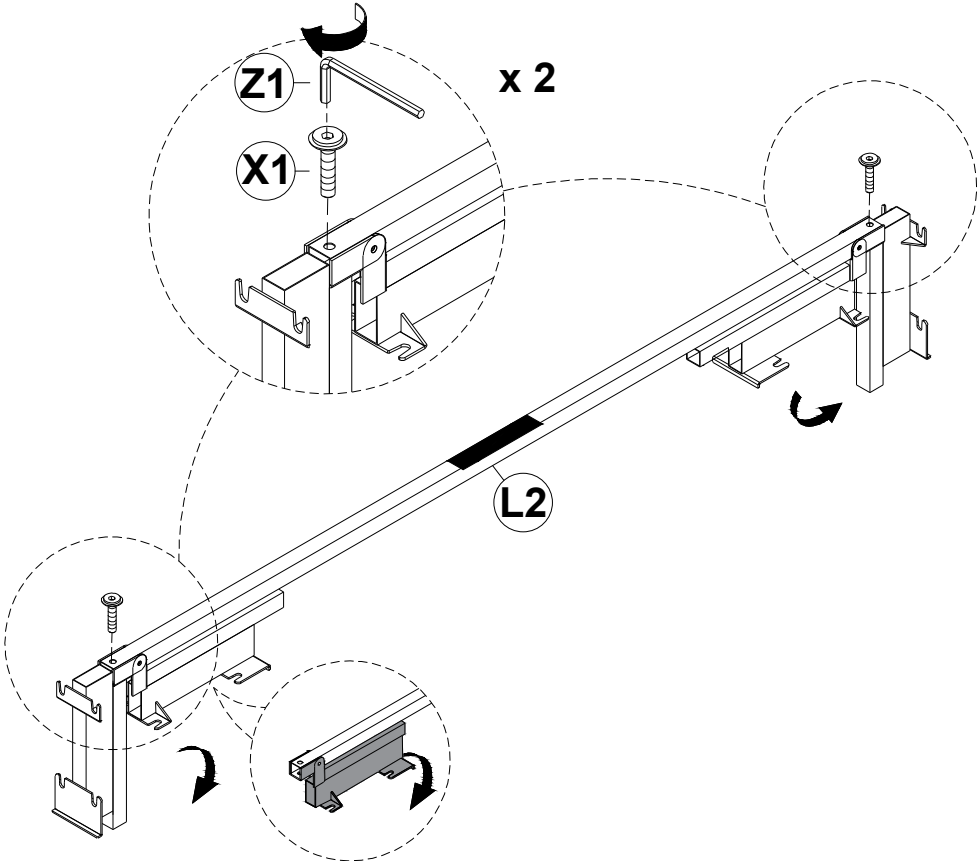


STEP 5




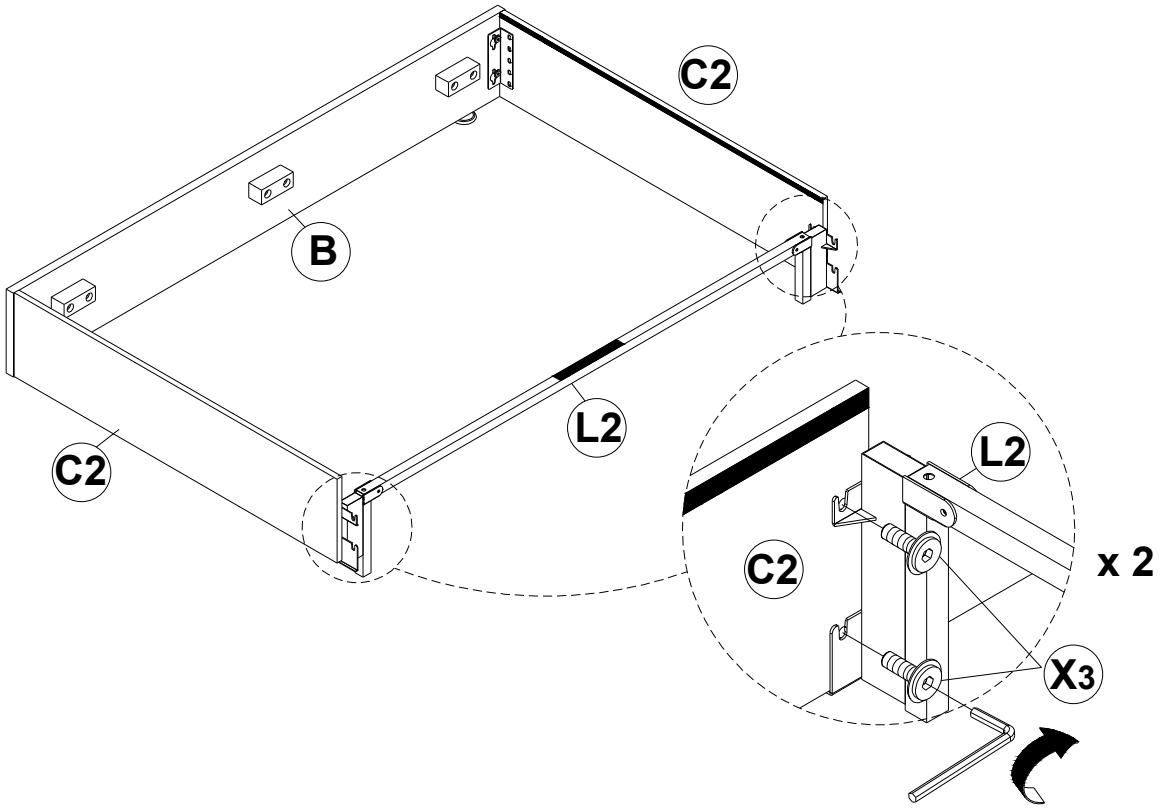
STEP 6

X1  2PCS




STEP 7

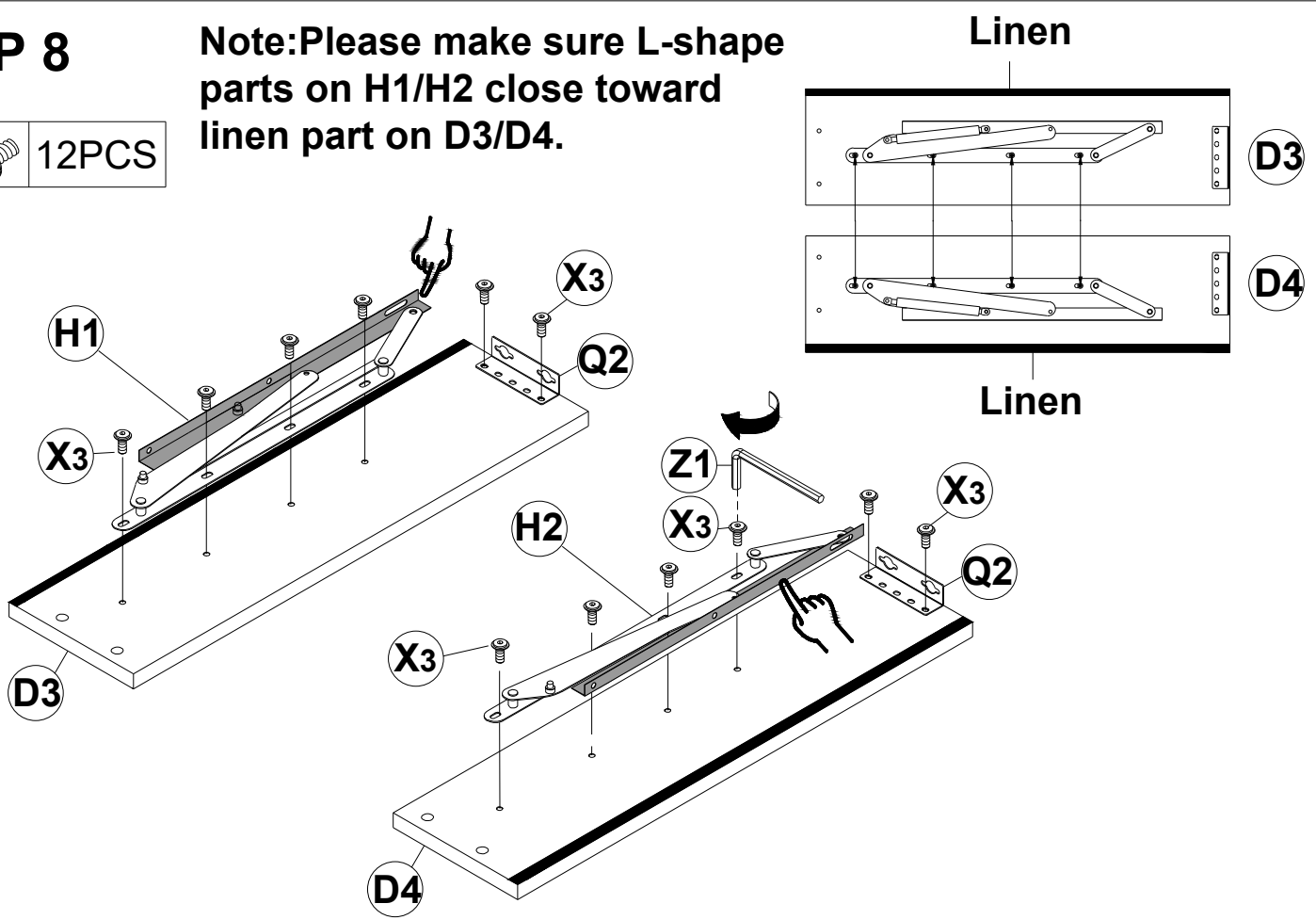
X3  4PCS




STEP 8

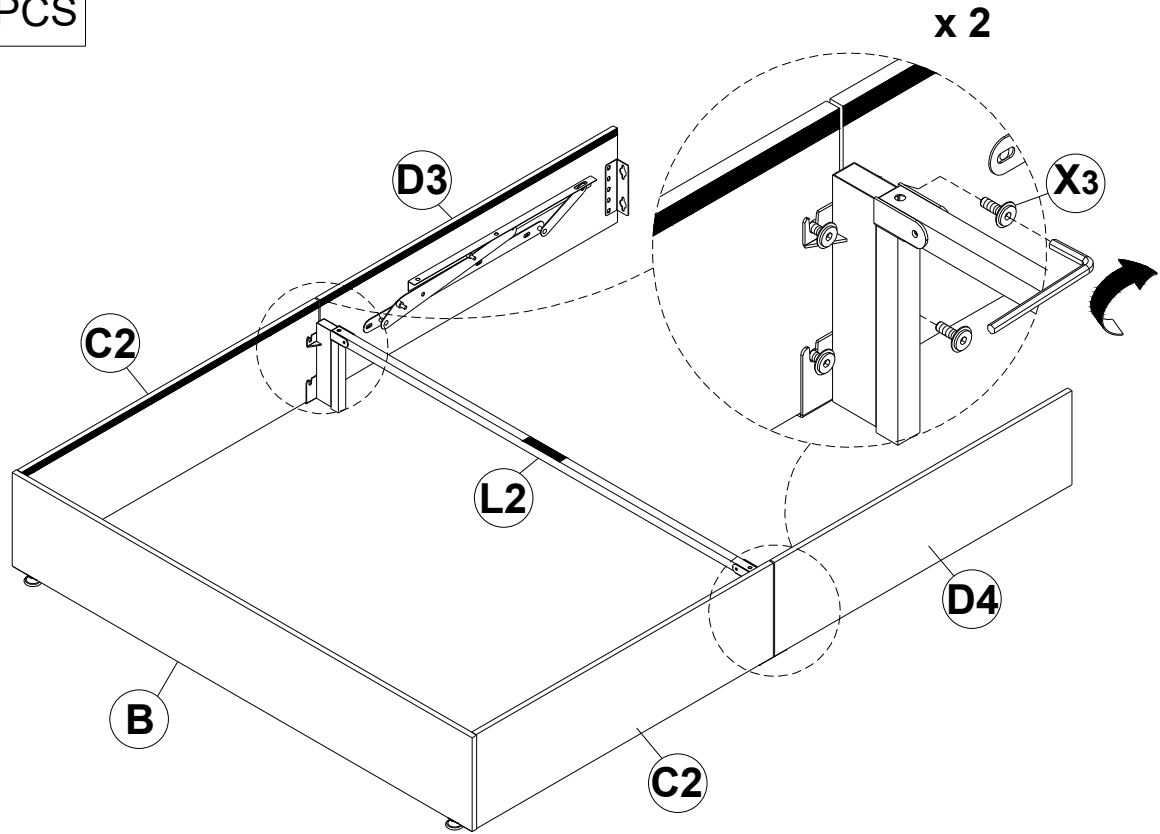
Note: Please make sure L-shape parts on H1/H2 close toward linen part on D3/D4.

X3  12PCS

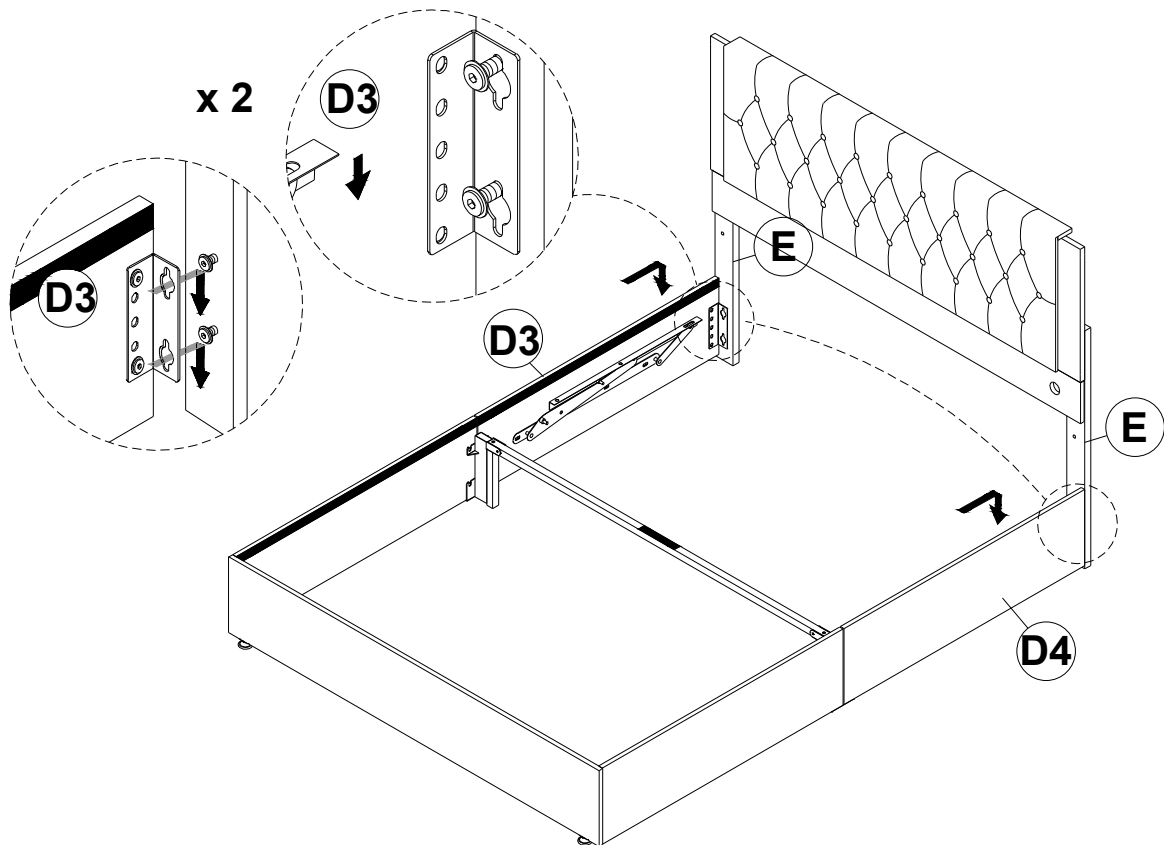


STEP 9


X3  4PCS

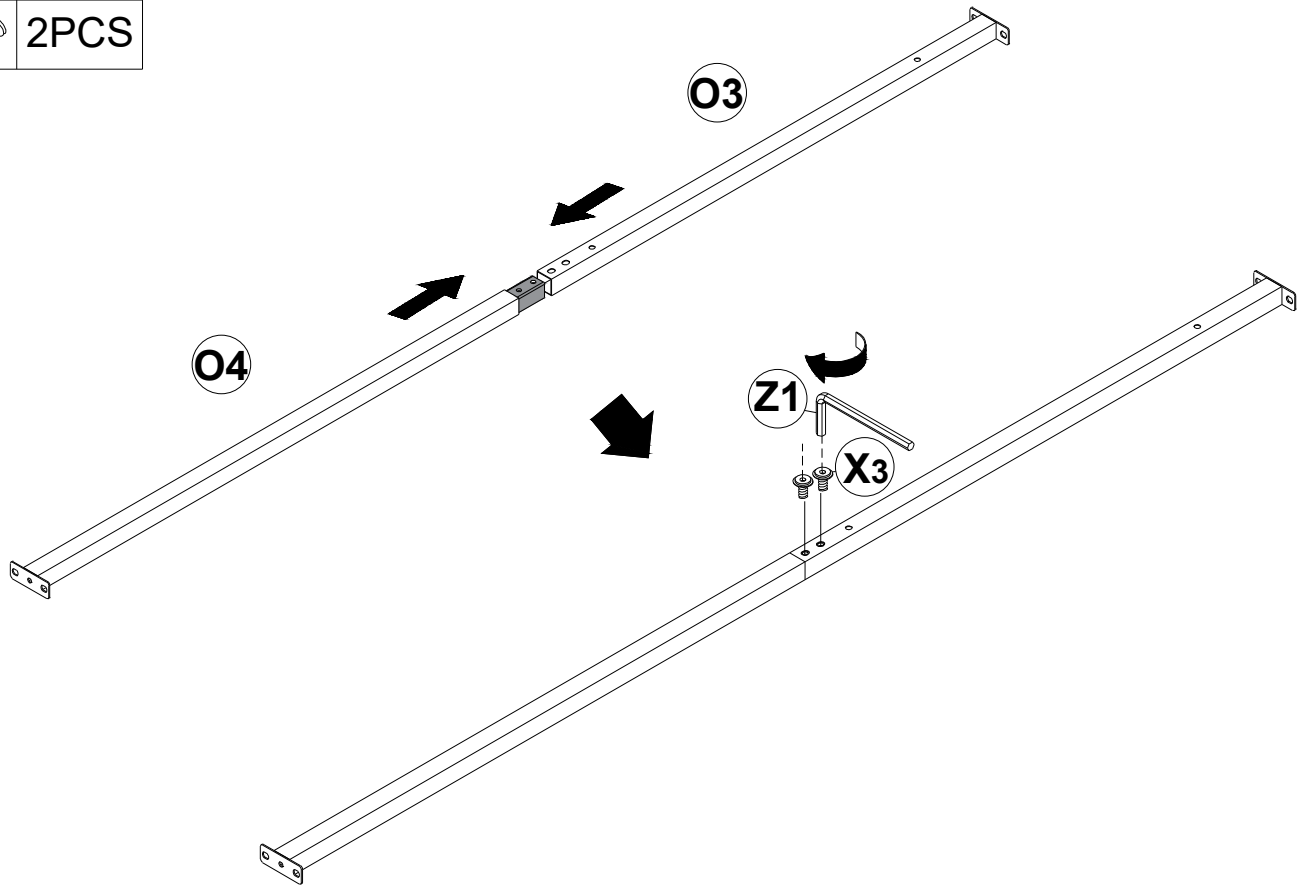


STEP 10



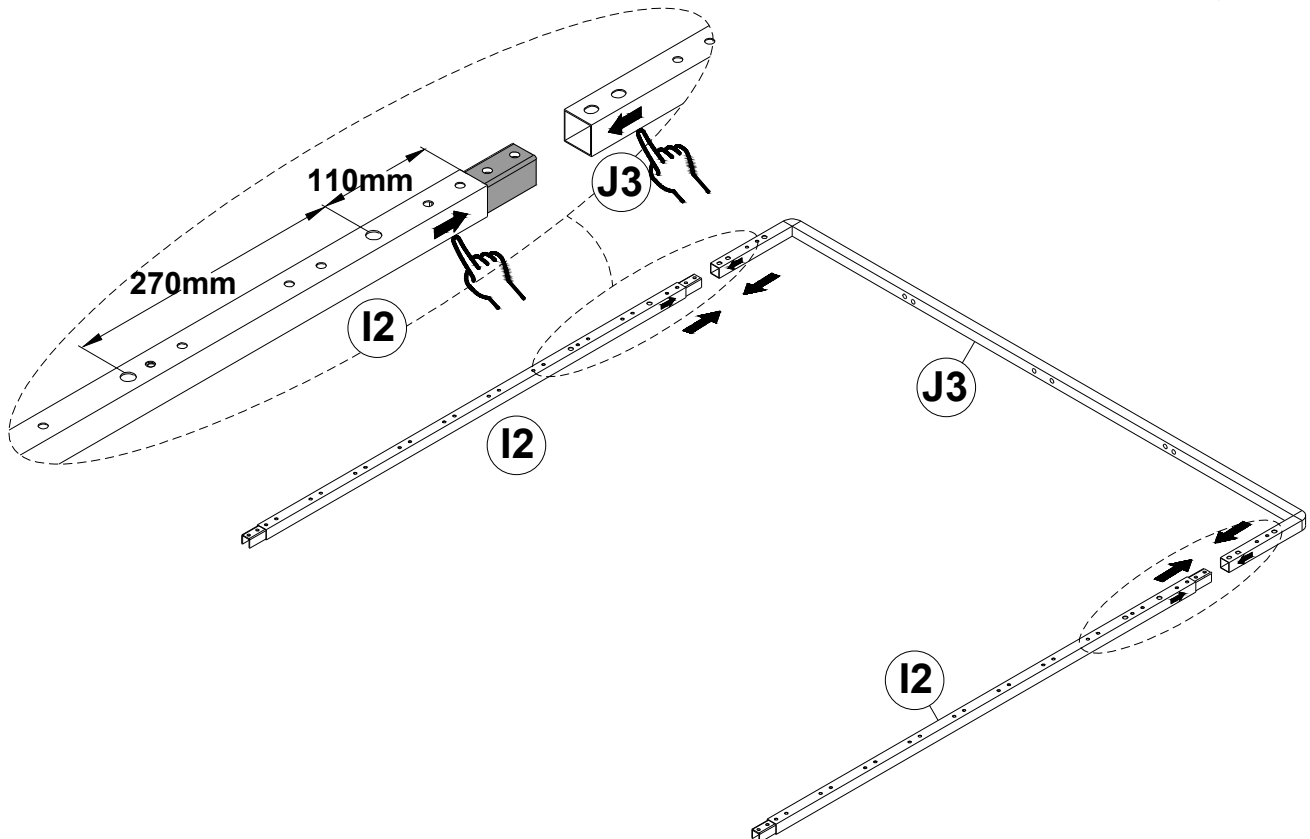
STEP 11

X3  2PCS





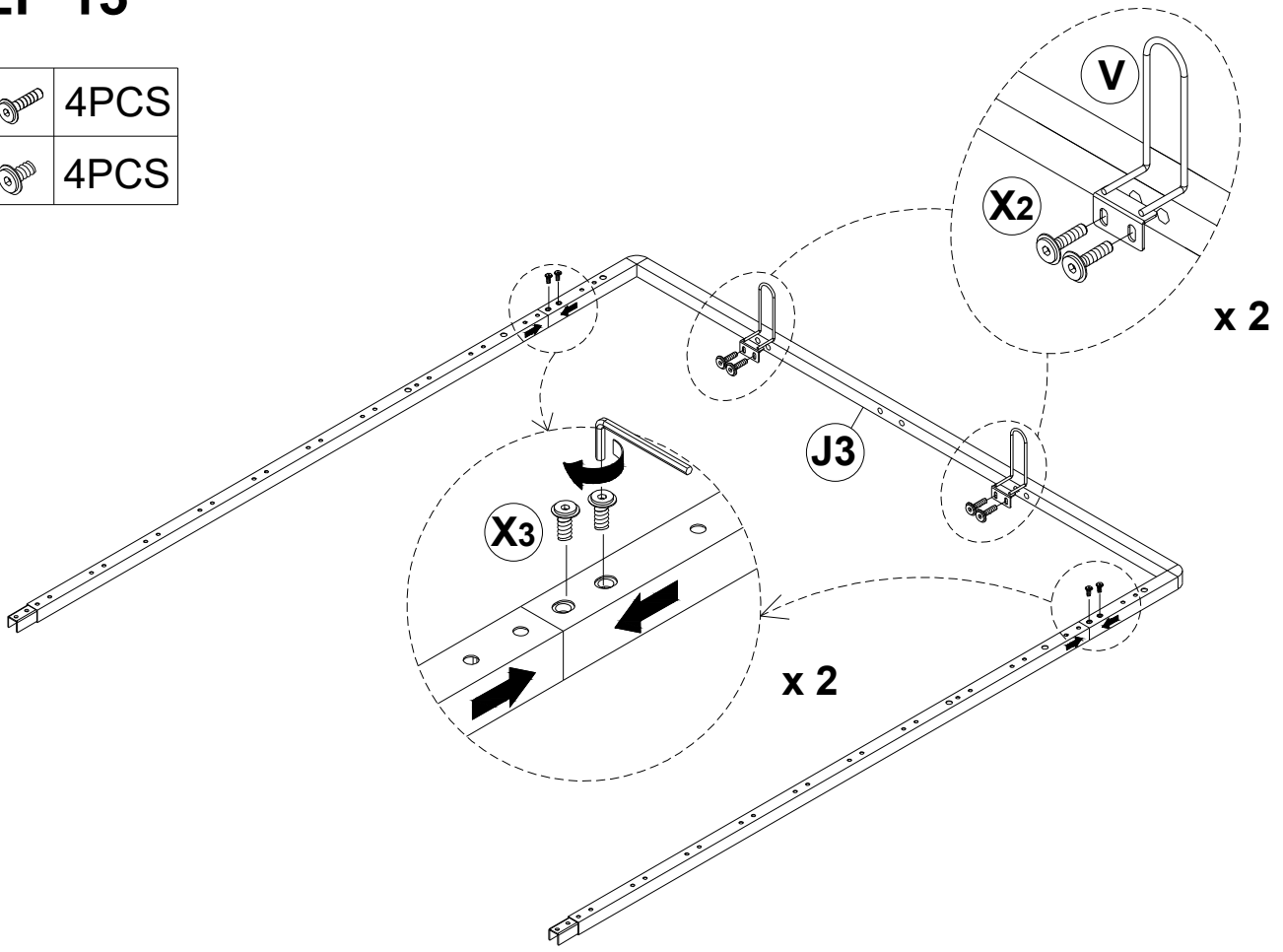
STEP 12

NOTE: Please notice the directions of crrows when connecting I2 and J3.

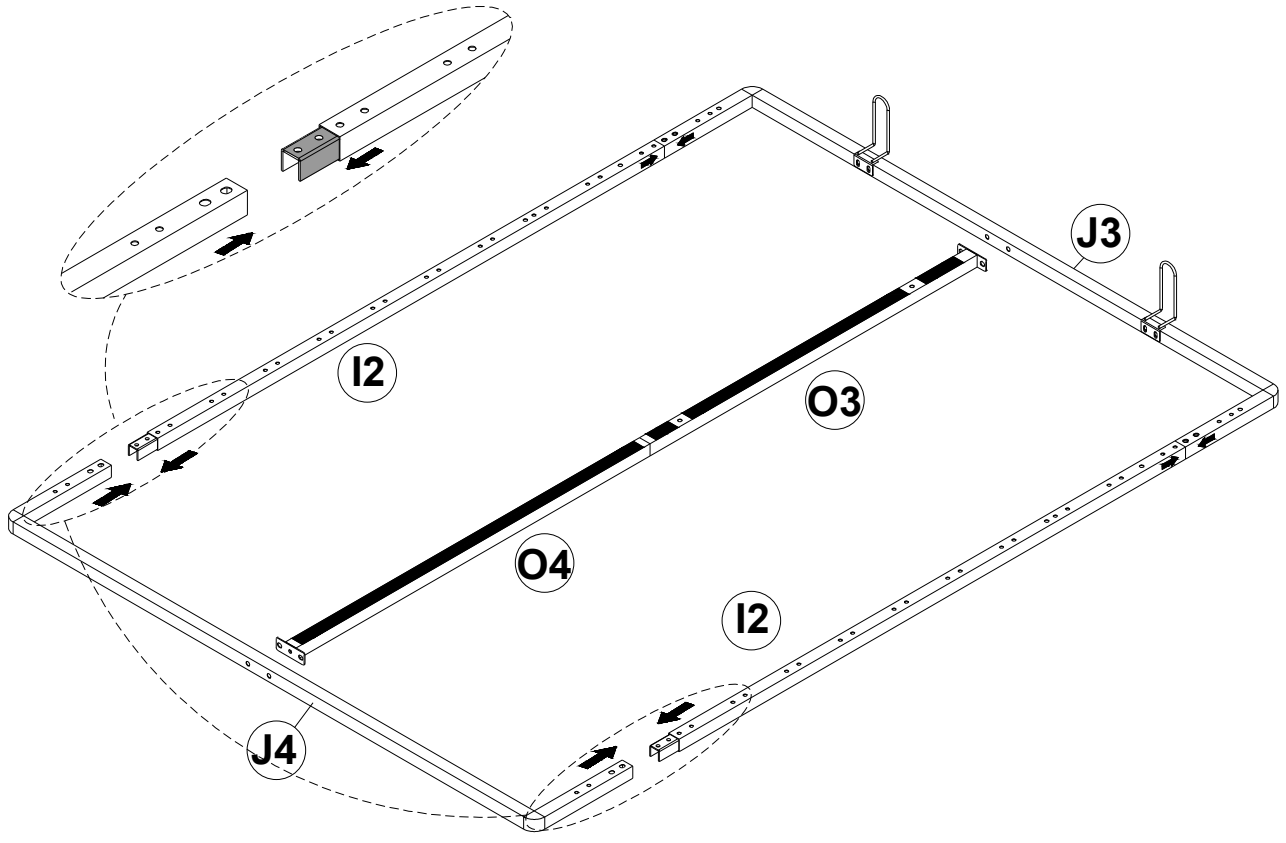


STEP 13



X2		4PCS
X3		4PCS

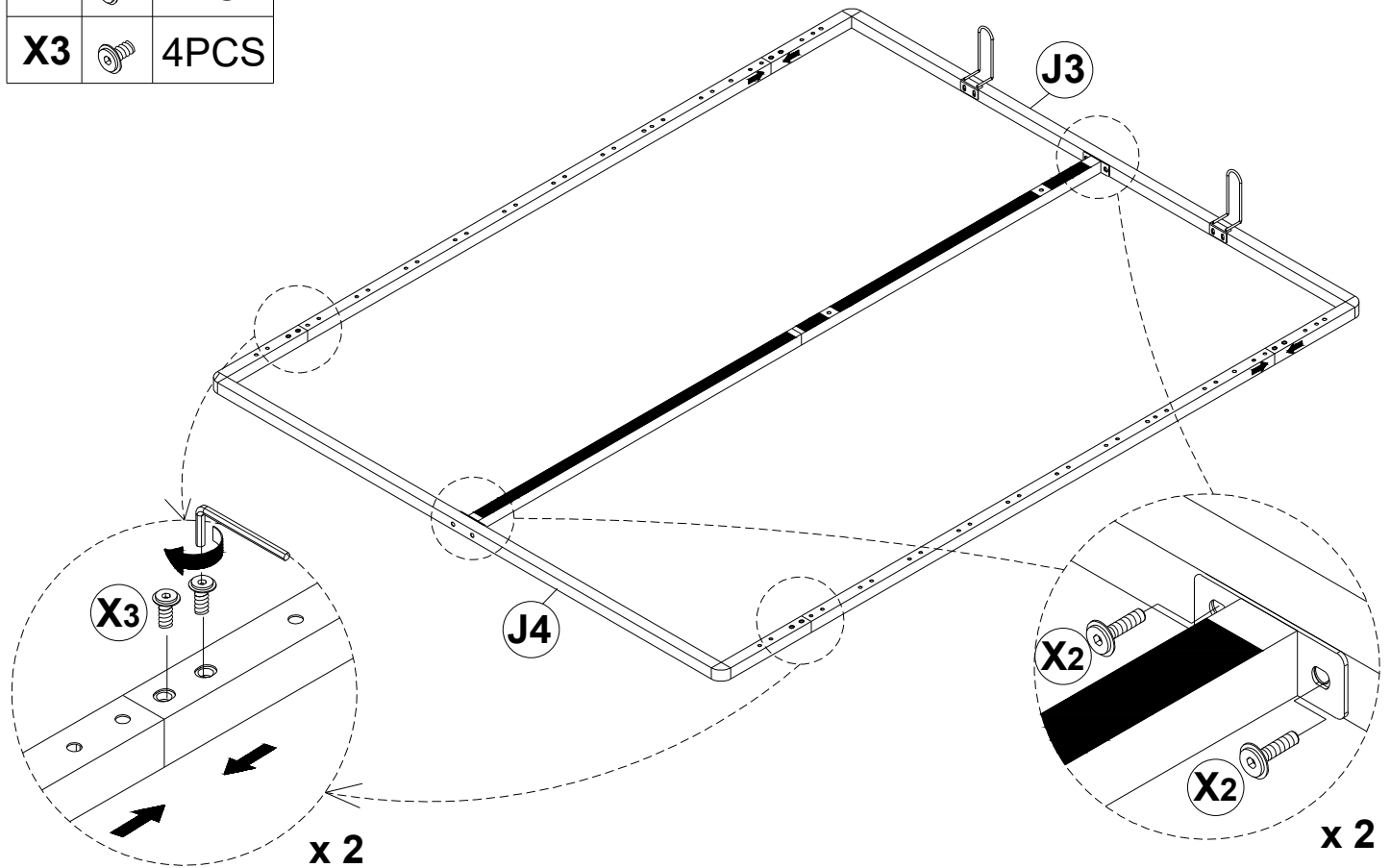


STEP 14



STEP 15

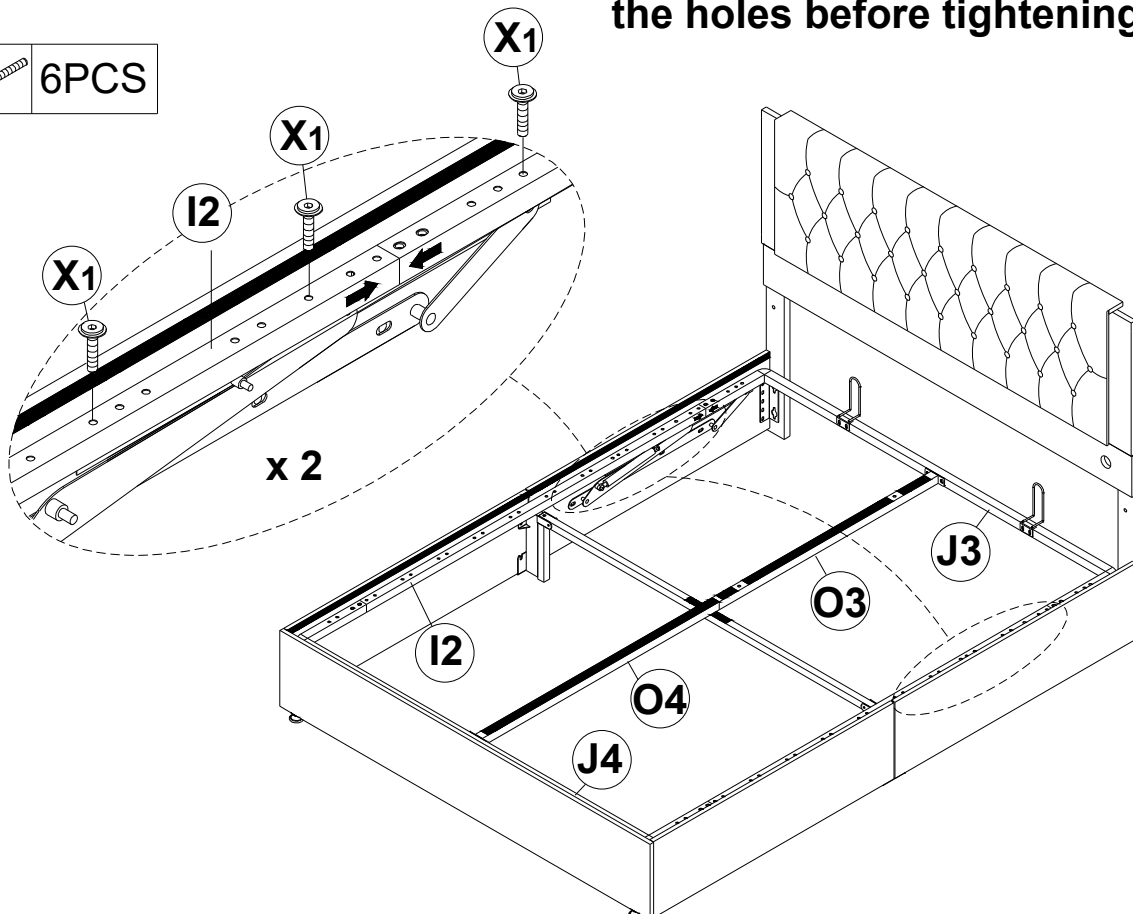
X2		4PCS
X3		4PCS



STEP 16

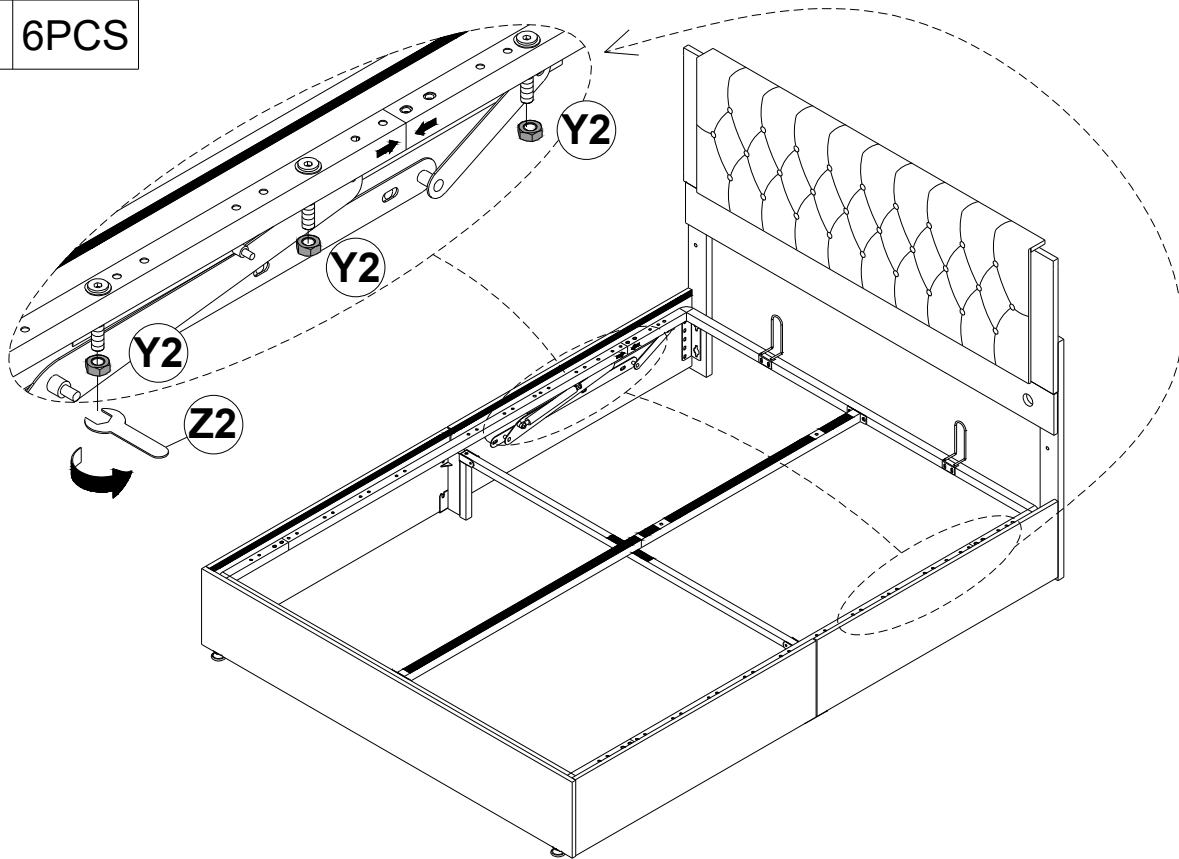
X1		6PCS
----	---	------

NOTE: Please put all the screws X1 into the holes before tightening the nuts.

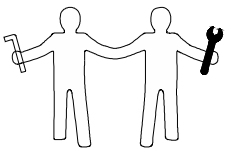


STEP 17

Y2  6PCS



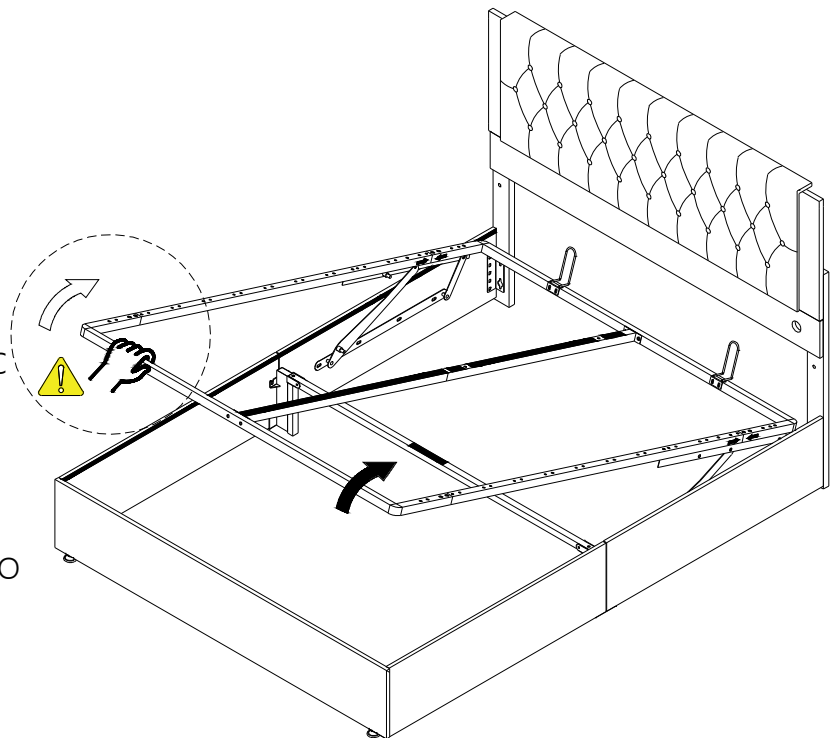
STEP 18 Gas Spring Installation Precautions



Two person installation



WARNING 

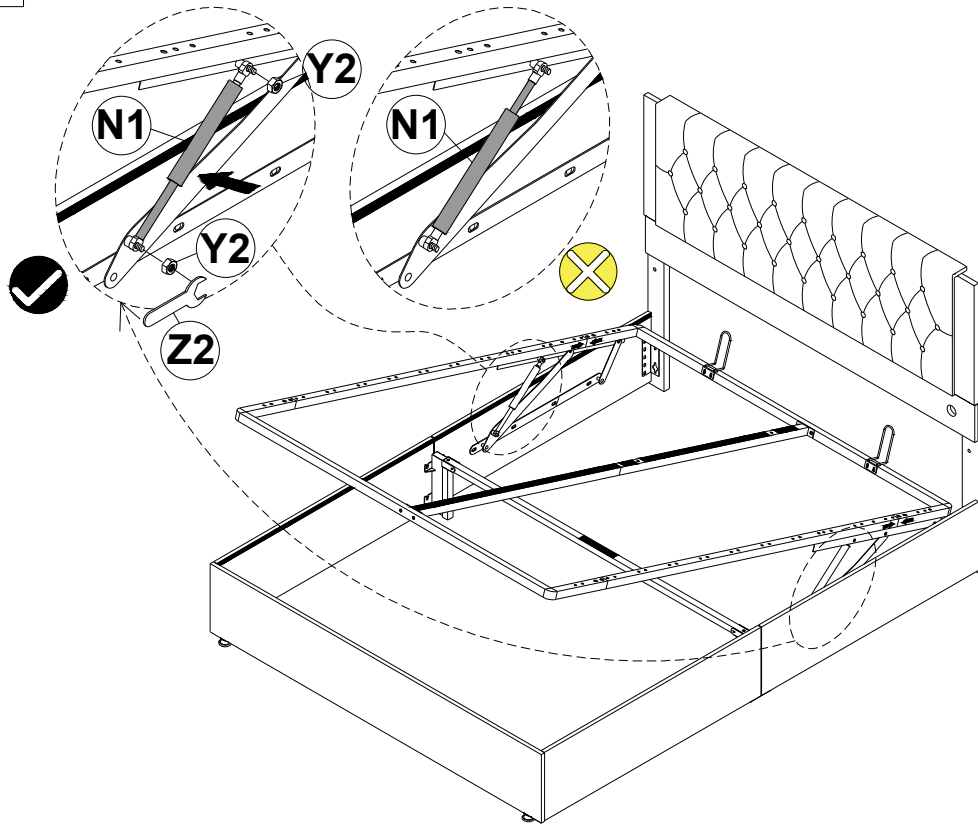
To install the gas spring, one person should lift the metal frame to a specific height and hold it steady until the gas spring is fully installed. Ensure that there are no obstructions under the frame, slowly lower it. (Be careful not to release your hands during gas spring installation to prevent the metal frame from accidentally falling and injuring people or objects.)



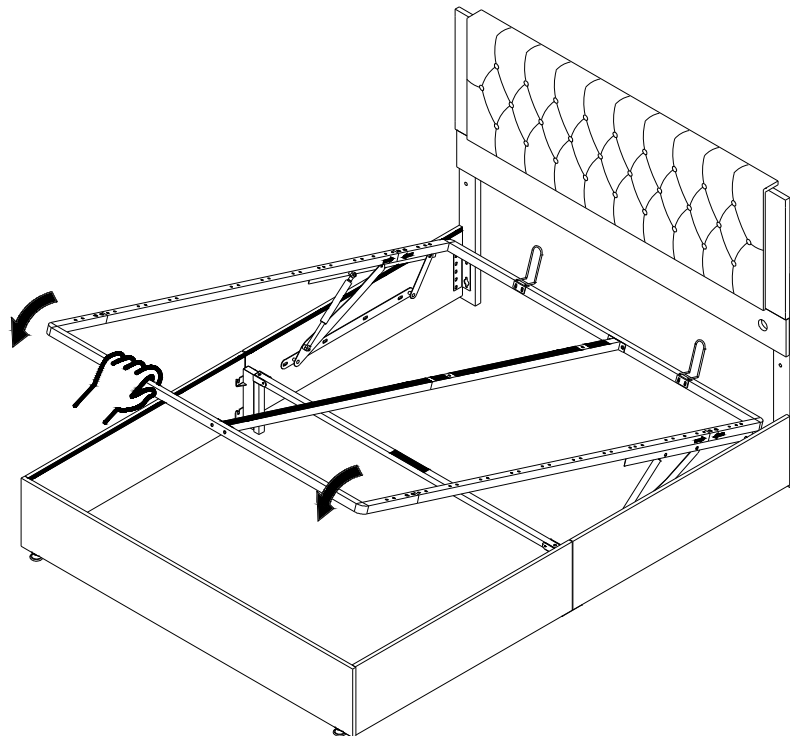
STEP 19

NOTE: Please Notice the Direction of Part N1.

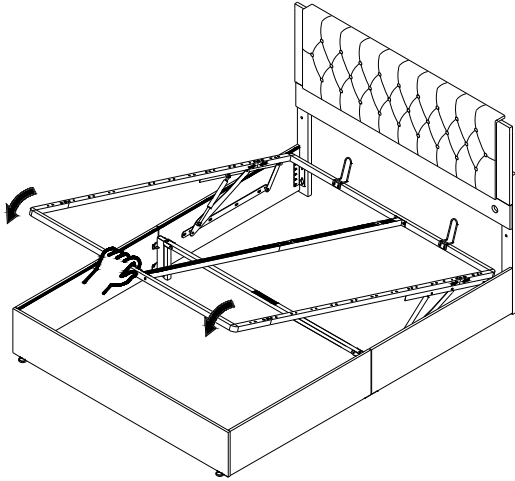
N1		2PCS
Y2		4PCS



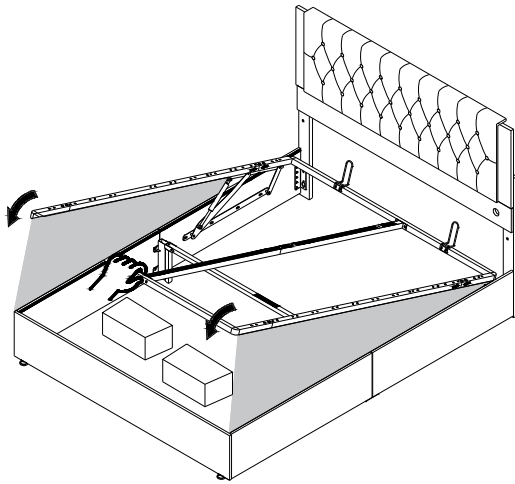
STEP 20



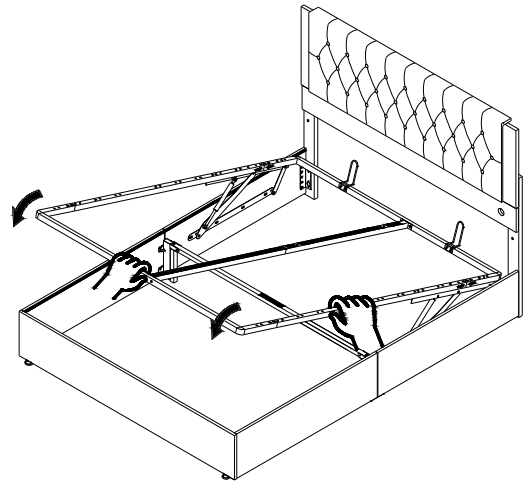
Precautions for closing the bed frame:



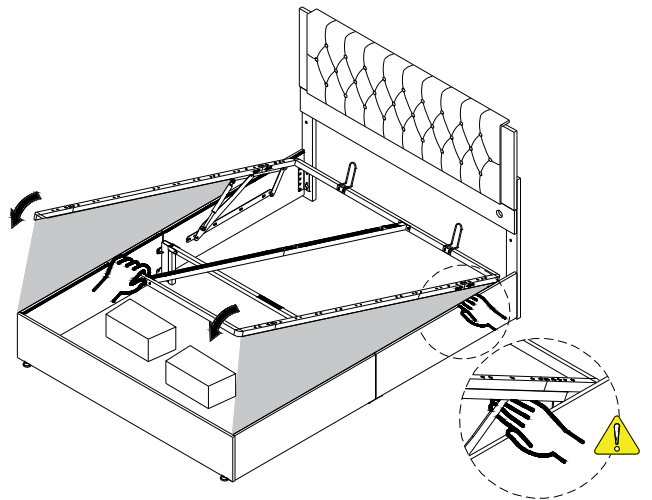
Operate from the foot of the bed



Make sure there are no obstructions under the metal frame to prevent injury.




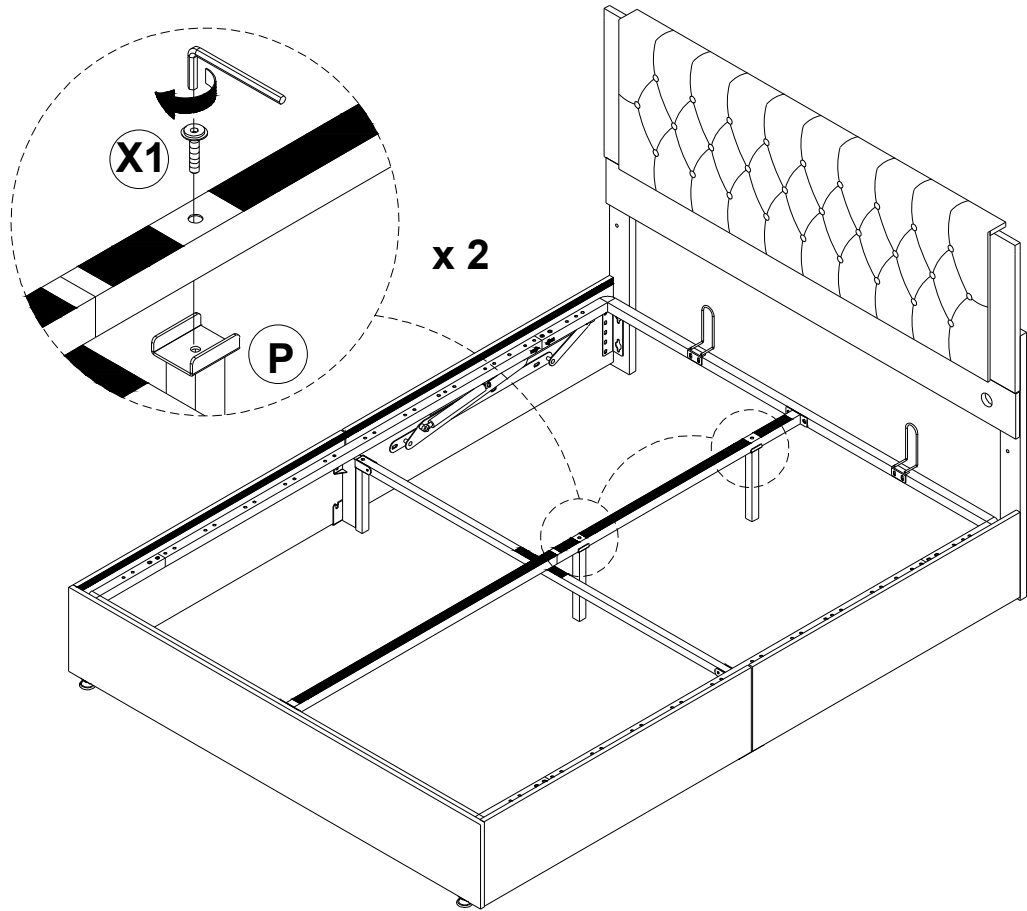
To avoid deformation of the metal frame, do not operate from the sides of the bed.



Make sure there are no obstructions under the metal frame to prevent injury.

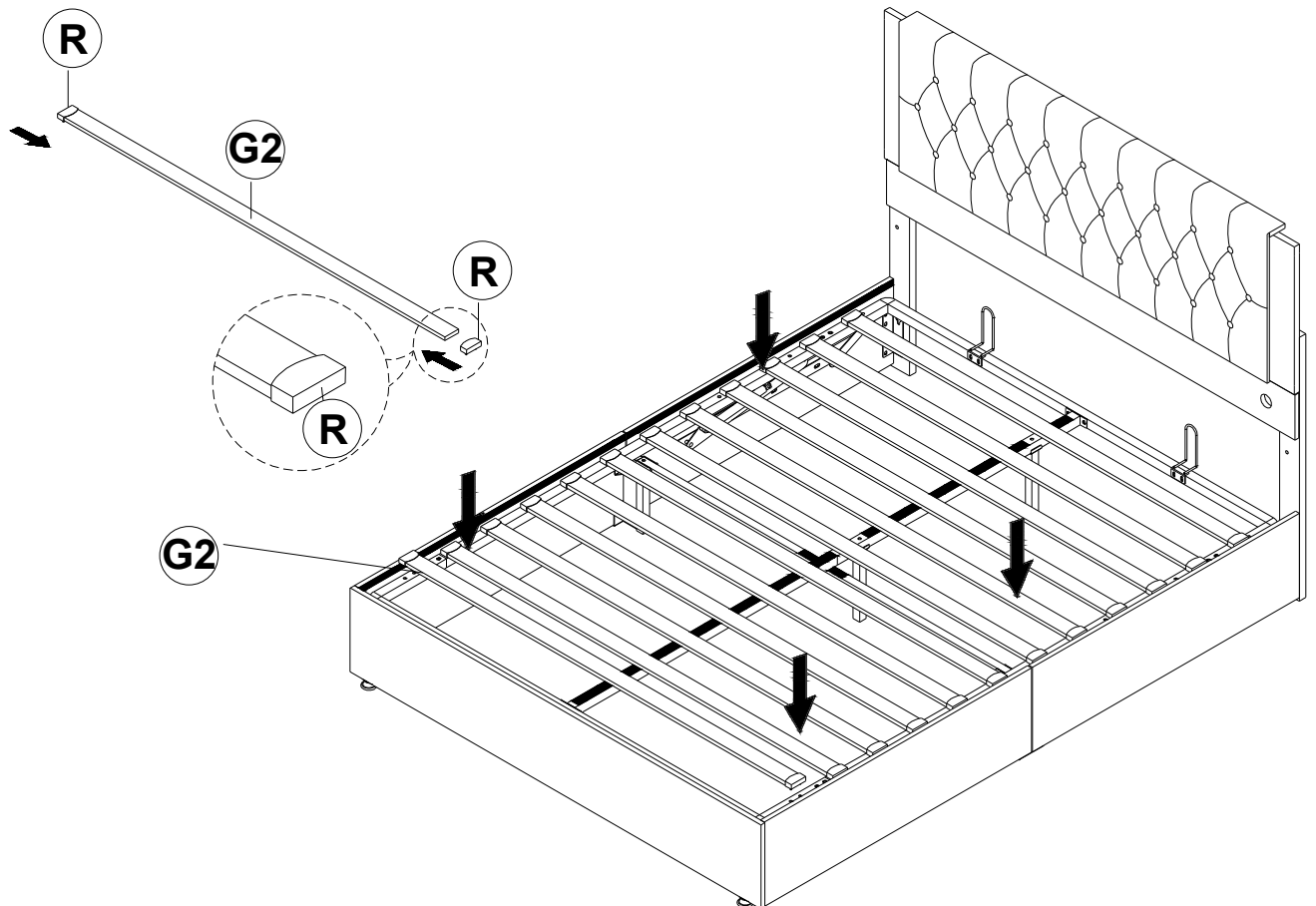
STEP 21

X1  2PCS

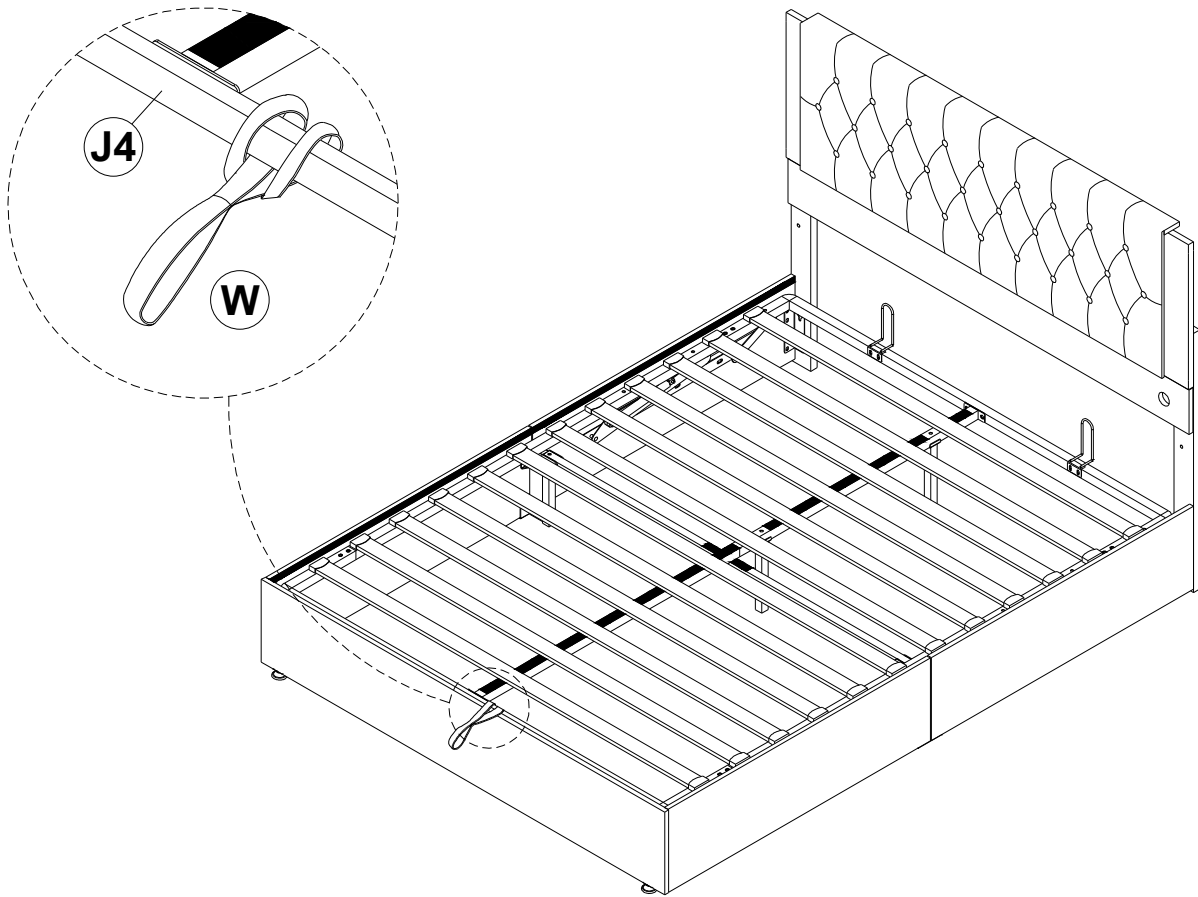


Tighten all bolts in this step

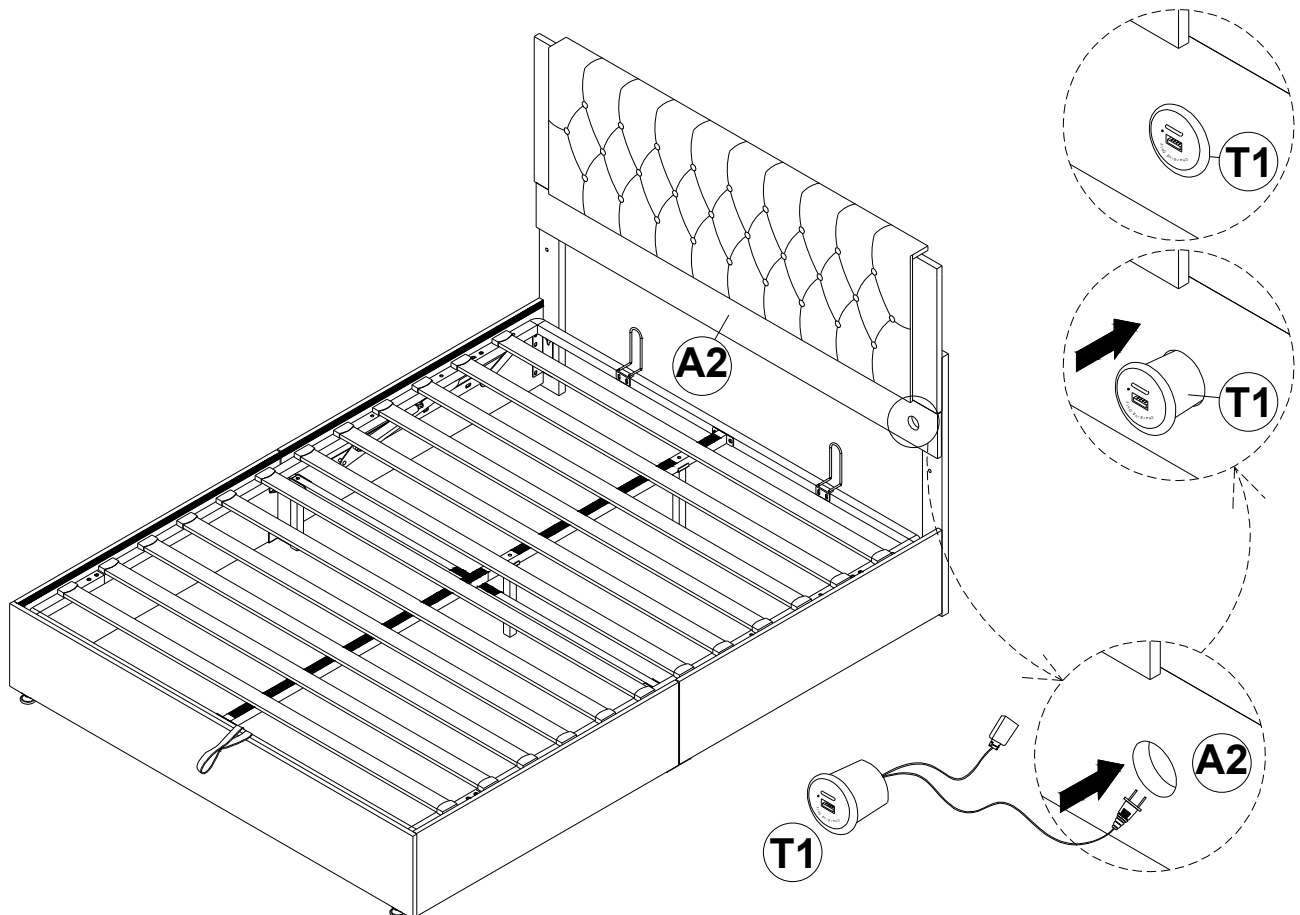
STEP 22



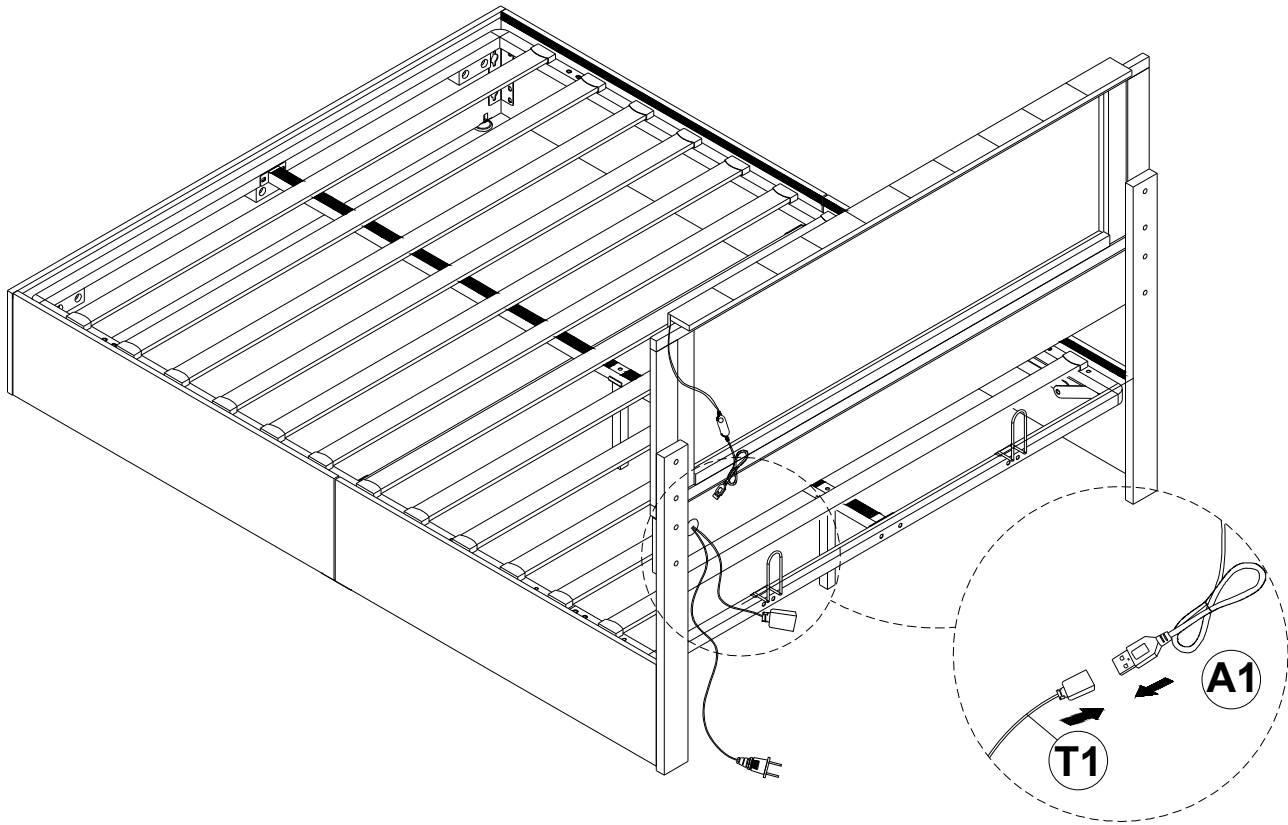
STEP 23



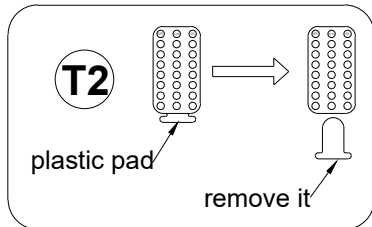
STEP 24



STEP 25

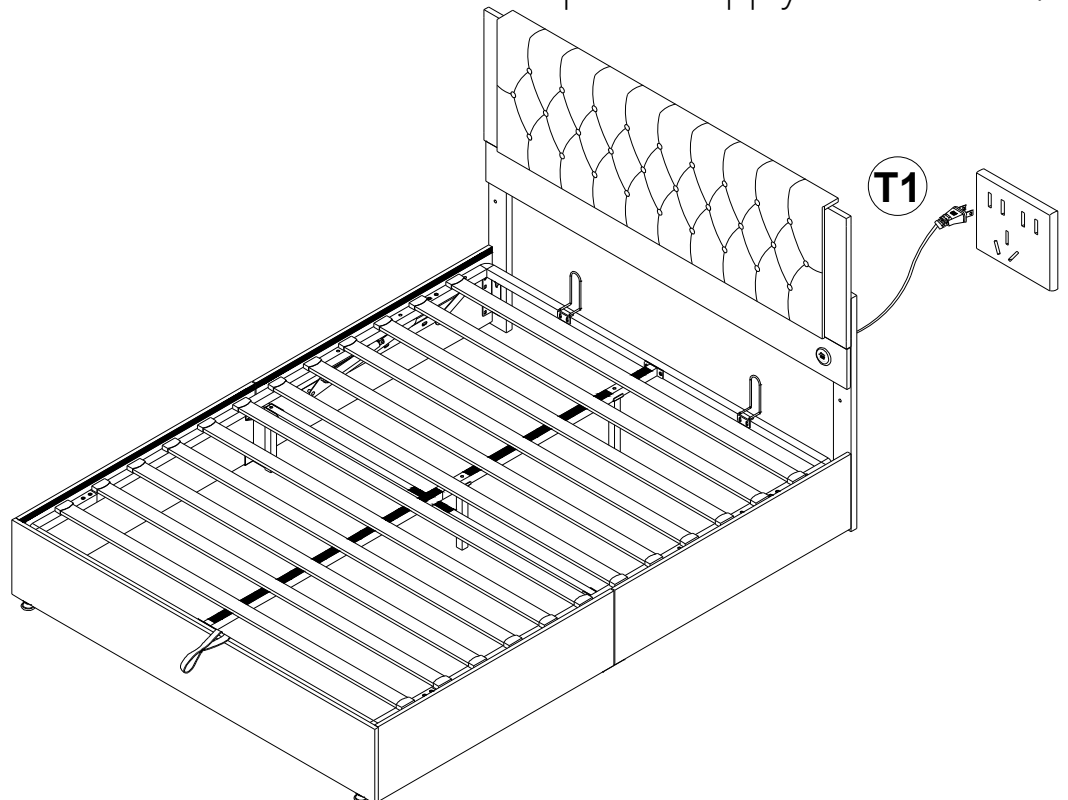


STEP 26

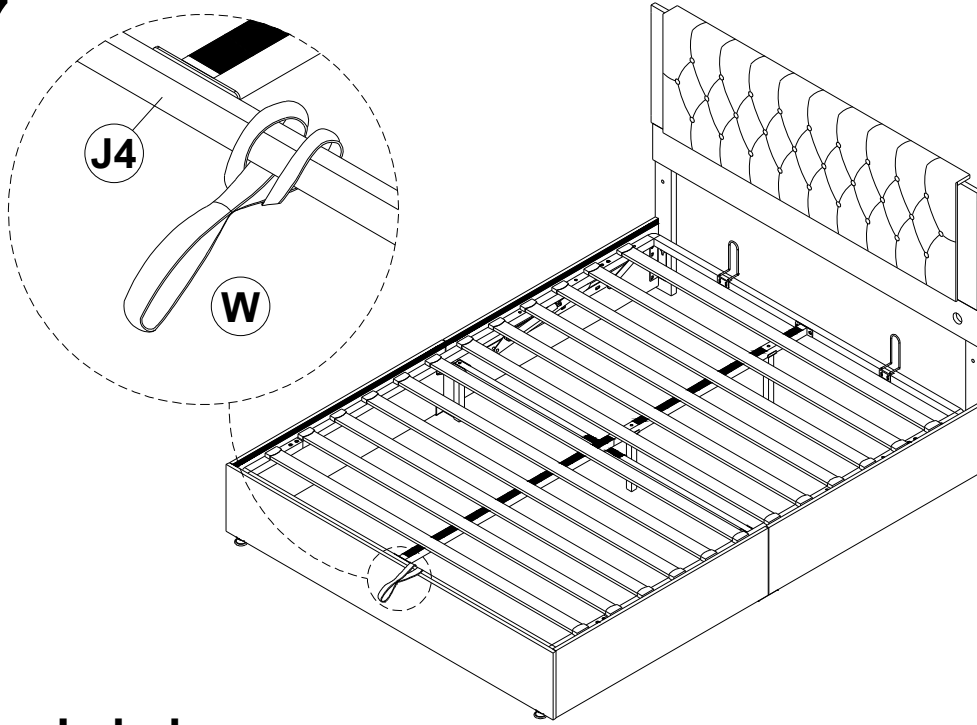


Remove the plastic pad on the remote control after the installation was complete and start the remote operation without direction restriction.

You can use the remote to control the light. The LED lamp can only be used after the power supply is connected.



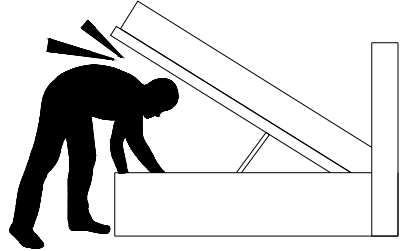
STEP 27



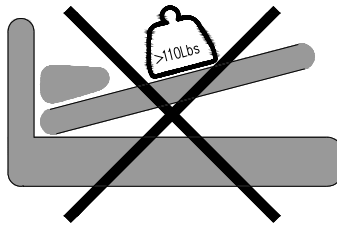
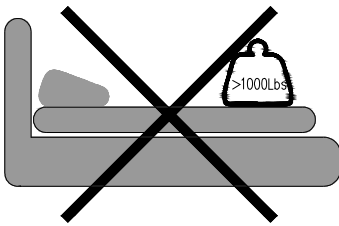
Warning Label:



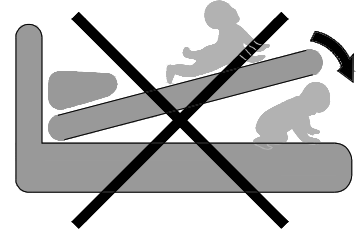
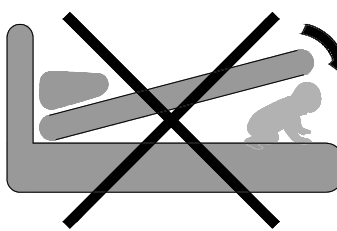
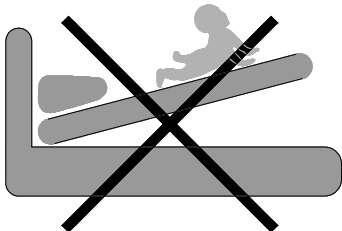
**CAUTION:
MIND YOUR HEAD**



- .When lifting or lowering the bed frame, it can only support items weighing less than 110 pounds.
- .When lifting or lowering the bed frame, keep a safe distance between the body and the frame to avoid injury.
- .Ensure that there are no people or objects interfering with the bed's sides or footboard when lifting or lowering the bed frame to avoid any dangers.
- .Before entering underneath the bed, make sure the bed frame is lifted to its highest position and confirm it will not drop after being released.



- .When the bed frame is used flat, the load-bearing capacity of the bed frame is 900 pounds; when the bed frame is lifted, the load-bearing capacity is 110 pounds.
- .When lifting the bed to use the storage function, please note that the maximum weight limit is 110 pounds, and the external force pressing is strictly prohibited to prevent the bed frame from falling and causing injury.



- .When using the storage function, please ensure that the upper and lower areas of the bed are safe and free of any biological traces to prevent injury.

MAINTAINANCE AND WARNING

- Keep furniture away from heat.
- Do not clean furniture with harsh cleansers or polish. Do not use detergents, Solvents, abrasives, spray packs or leather cleaner. Use non-color mild soap with warm water clean spills(Mix 1:10 soap to water)
- Do not place furniture under direct sunlight, material will possibly fade over time.
- Do not use on site dry Cleaning machine.
- Children should not climb or jump on the furniture.
- Do not write on furniture without a padded barrier to protect the surface.
- Not for commercial use, For residential use only.
- The maximum load is 900 LBS.

WARRANTY

We strive to offer high-quality products, and we also try our best to satisfy each and every customer that orders from us with product or service as needed. We provide 30 days warranty starting from the time you receive the item. Each customer must provide a record of their order such as the order number, or item receipt for any items that are out of the warranty period you may also still receive replacement parts by purchasing them with our company if they are available.

Are you having difficulty with assembly? Missing parts? Please send email with your order No to customerservice@hulalahome.com

For return, please check the return policy with the retailer or market place you bought from. Appreciate your purchasing from us. Pop up your life by our furniture piece!