

Assembly & Installation Instructions

Landscape Pendant 13-9727D

A402

Page 1 of 3

CAUTION: FAILURE TO INSTALL THIS FIXTURE PROPERLY MAY RESULT IN SERIOUS PERSONAL INJURY OR DEATH AND PROPERTY DAMAGE. We recommend installation by a licensed electrician.

This product must be installed in accordance with applicable installation code(s), by a person familiar with the construction and operation of the product and the hazards involved.*

Caution: Do not exceed maximum wattage noted on fixture. Use only recommended bulbs with fixture.

Attach Fixture Pipes (Figure 1)

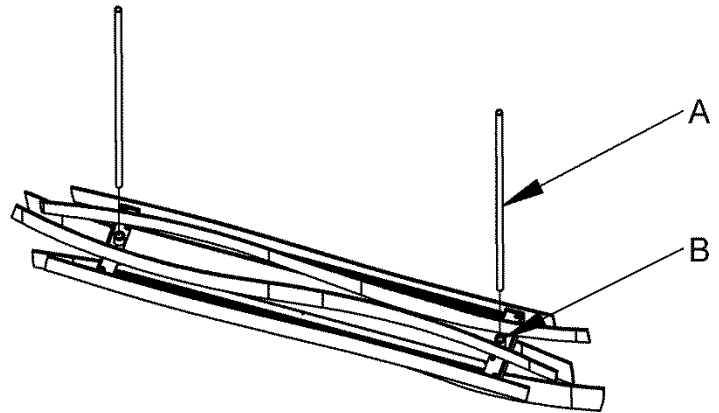
Component Parts

- A Fixture Pipe (2)
- B Fixture Coupling (2)

1. Carefully unpack the fixture from the carton.
2. Carefully slip one fixture pipe (A), threaded end first, over fixture wires.
3. Apply a drop of the supplied thread locking compound to the internal threads of the fixture coupling (B) and screw fixture pipe (A) into fixture, being careful not to twist the wires.

Note: Application of the thread locking compound is necessary to prevent the stem from loosening during regular maintenance and cleaning of the fixture. Be certain to apply the compound.

4. Screw second fixture pipe (A), again using locking compound, into fixture coupling (B) other side of fixture without wires.
5. See instructions below to complete the installation.



(Figure 1)

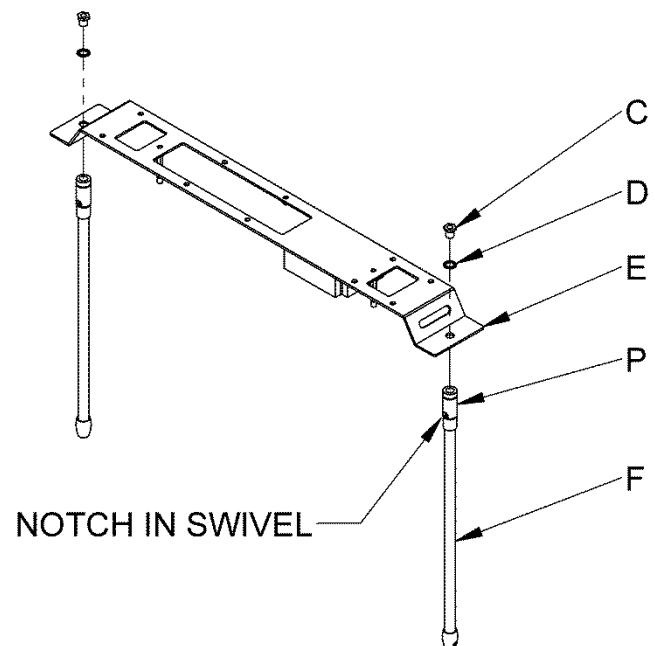
Assemble Canopy Pipes to Ceiling Bracket (Figure 2)

Component Parts

- C Hex Nipple (2)
- D Lock Washer (2)
- E Ceiling Bracket
- F Canopy Pipes (2)
- P Swivel

1. Hex nipple (C) and lock washer (D) are shipped installed in swivel (P) at top of canopy pipe (F). Remove hex nipple (C) and lock washer (D) for use in next step.
2. Insert threaded end of hex nipple (C) down through lock washer (D), ceiling bracket (E) and into swivel at the end of canopy pipe (F). *Note: Ceiling bracket should be oriented with the threaded studs pointing down.*
3. Tighten hex nipples (C) securely being sure the notches in the swivels are aligned.

Note: If installing on a sloped ceiling, make certain that notches in swivel (P) are oriented toward the lower side of the slope.



(Figure 2)

(continued)

Assembly & Installation Instructions

Landscape Pendant 13-9727D

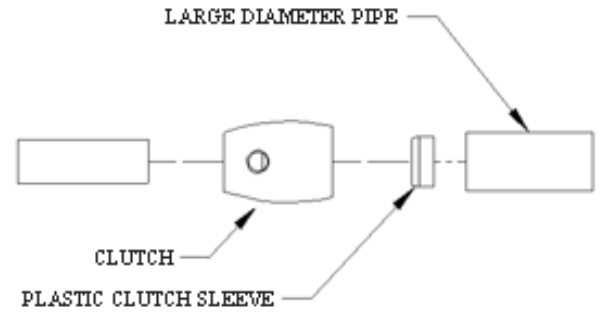
A402

Page 2 of 3

Complete Fixture Assembly (Figures 3 & 4)

Component Parts

A	Fixture Pipe (2)	H	Canopy
C	Hex Nipple (2)	I	Plastic Clutch Sleeve (2)
F	Canopy Pipe (2)	J	Set Screw (2)
G	Clutch (2)		



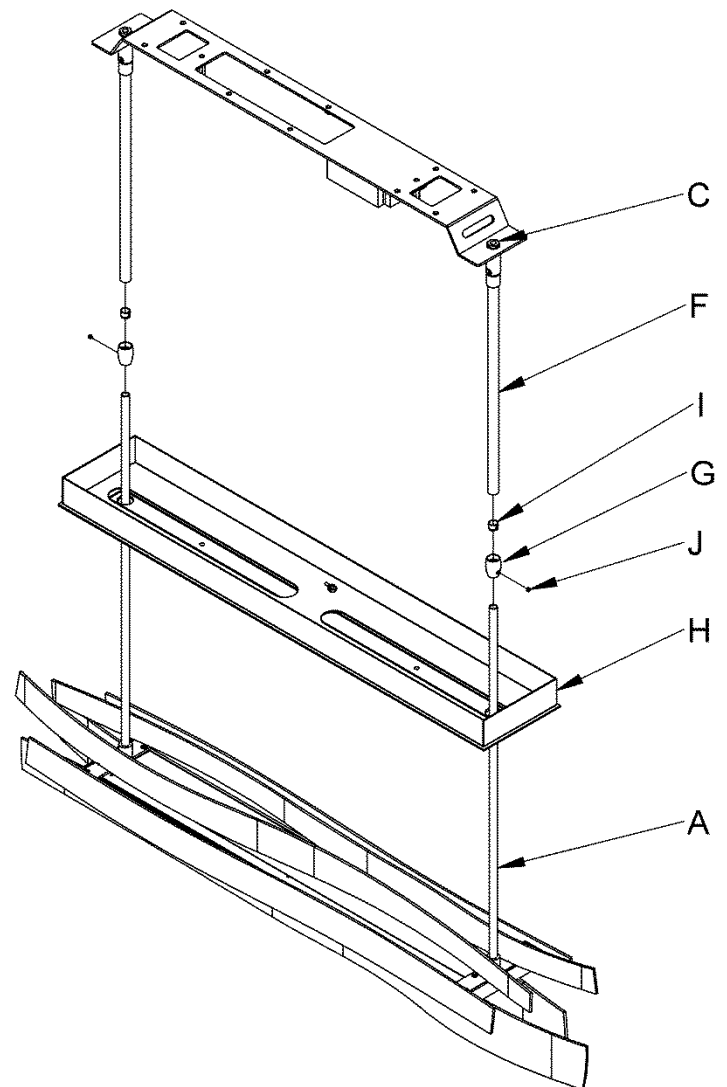
(Figure 3)

Caution: Be sure power is off at the main breaker box prior to installation.

1. Line up holes in Canopy (H) with fixture pipes (A). Slide over fixture pipes (A) until canopy (H) rests on top of fixture.
2. Thread the wires from the fixture pipe (A) into and through the canopy pipe (F) up through hex nipple (C).
3. Unscrew the clutch (G) from the canopy pipe (F); slide it across the wires and onto the fixture pipe (A). Follow this with the plastic clutch sleeve (I), oriented so the tapered end of the clutch sleeve nests in the clutch. Repeat for second set of pipes. (Figure 3).
4. Slide the canopy pipe (F) as far as necessary to give desired total length of the fixture. Be careful not to scratch the pipe surfaces and to pull excess wire up through the canopy pipe (F). Screw clutch (G) onto canopy pipe (F). There must be a minimum 1-1/2" of inner pipe inside the outer pipe. Hand-tighten the clutch to temporarily hold this adjustment. The clutch is not securely fastened at this point; do not depend on it to hold the fixture. Repeat for both pipes.

Important: To ensure full connection strength, be sure the tapered end of the plastic clutch sleeve is oriented toward the clutch when assembled and securely tighten set screw. (Figure 3)

5. Continue with Ceiling Installation.



(Figure 4)

(continued)

Assembly & Installation Instructions

Landscape Pendant 13-9727D

A402

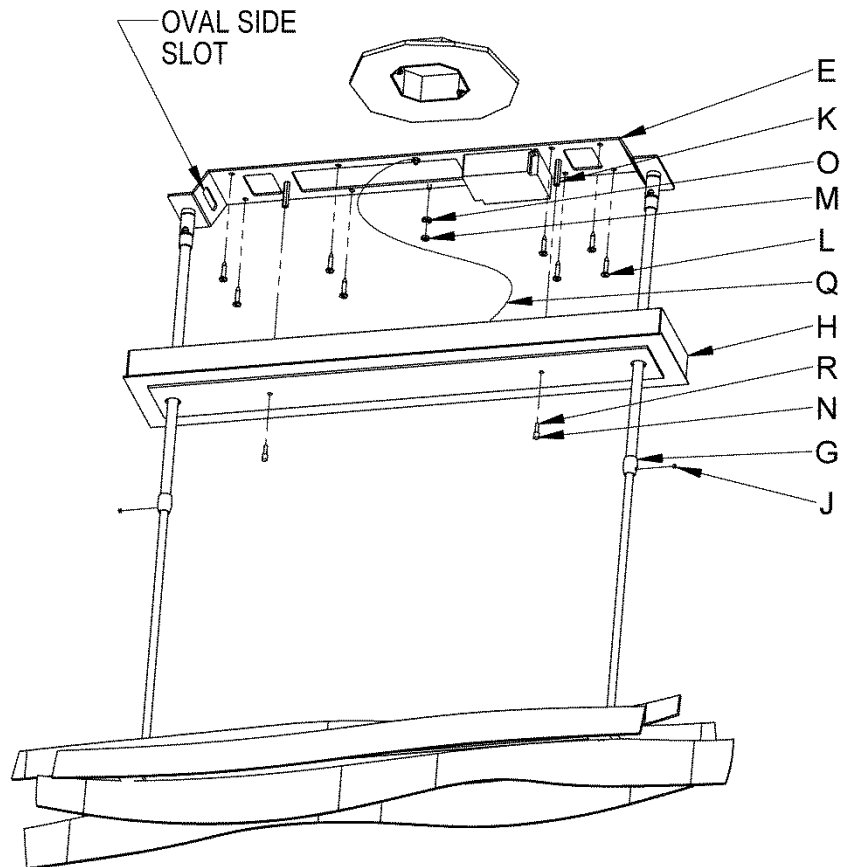
Page 3 of 3

Install to Ceiling (Figure 5)

Component Part

E Ceiling Bracket	K Standoff (2)	O Cupped Washer
G Clutch (2)	L #10 Wood Screws (8)	Q Safety Cable
H Canopy	M Hex Nut	R Threaded Stud (2)
J Set Screw (2)	N Barrel Knobs (2)	

1. Using wood screws (L) attach ceiling bracket (E) to a structural member in the ceiling, centering the bracket over the outlet box. Wood screws are supplied with this fixture; however, different materials and/or construction methods may require different fasteners. If in doubt, contact a qualified electrician. Do not attach ceiling bracket directly to outlet box.
2. Once the fixture is fastened to the ceiling, tighten the set screws (J) firmly with hex wrench provided. *Be sure to tighten set screws in both clutches (G).*
3. Raise Canopy (H). Connect Safety Cable (Q) from Canopy to Mounting Bracket (E). Mounting bracket is shipped with a nut on the stud to attach safety cable (Q).
4. To wire fixture, route red and blue wires from canopy pipes inward through the oval side slot in Mounting Bracket (E). Blue and red wires on driver are shipped with connectors attached. Connect wires from fixture to connectors, red to red and blue to blue.
5. Attach a pigtail lead to the ceiling bracket (E) using cupped washer (O) and hex nut (M). Connect fixture ground wire and pigtail lead to ground wire(s) from electrical box (bare copper or green to bare copper or green).
6. Using suitable wire connectors (not provided) connect fixture wires to supply wires (white to white and black to black). Push wires back into outlet box.
7. **Caution:** Make sure wire connectors are twisted on securely, and no bare wire is exposed.
8. Barrel Knobs (N) are shipped on threaded studs (R). Slide canopy (H) over Mounting Bracket (E) and push firmly to ceiling, making sure that no wires are pinched between fixture canopy and ceiling. Screw barrel knobs (N) with studs (R) into standoffs (K).
9. Restore electricity at main breaker.
10. *If you need further assistance, or find that you are missing any parts, please contact the dealer from which you purchased this product. We hope you enjoy your fixture!*



(Figure 5)

* Hubbardton Forge will not be liable for injury or damage caused by improper installation, lamping or use of this fixture.

HUBBARDTON FORGE®

Hand-Forged, Vermont-Made Lighting and Accessories
P.O. Box 827, 154 Route 30 South, Castleton, Vermont 05735

32719