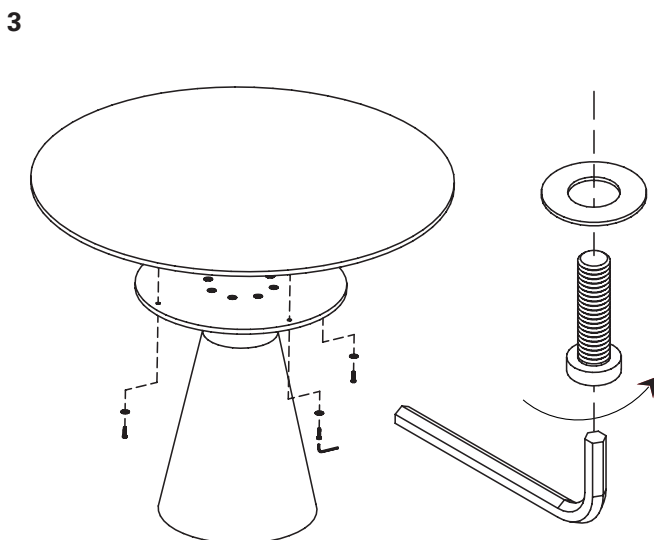
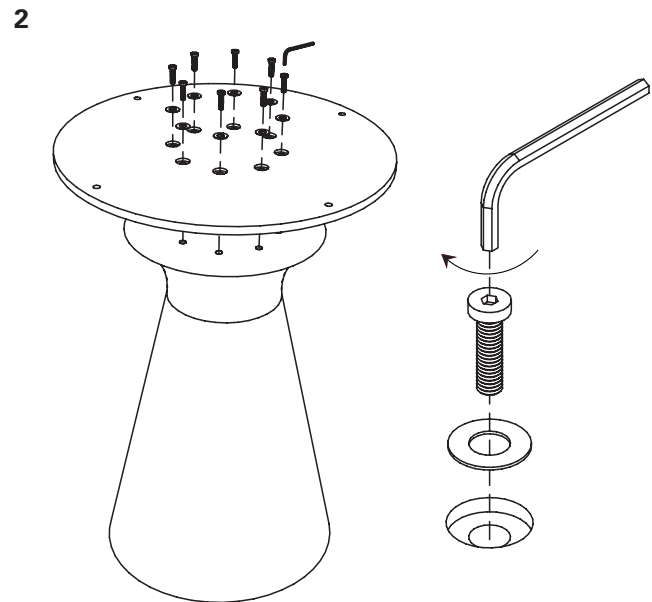
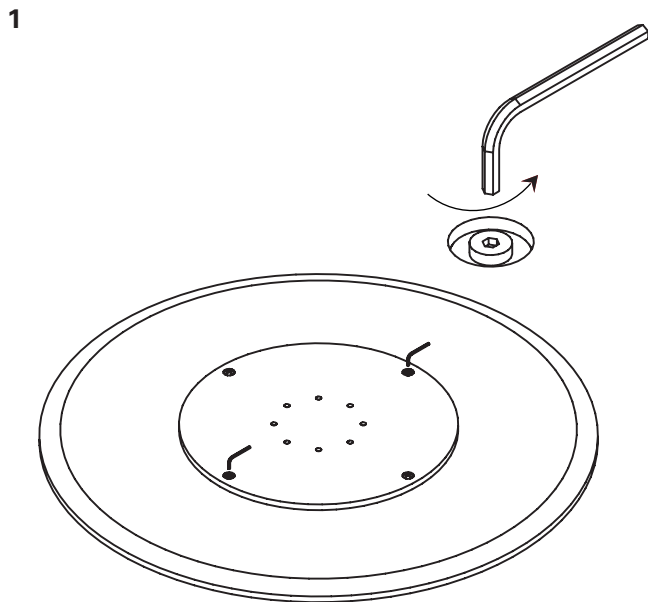
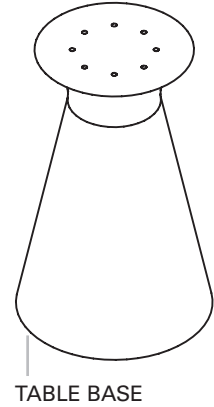
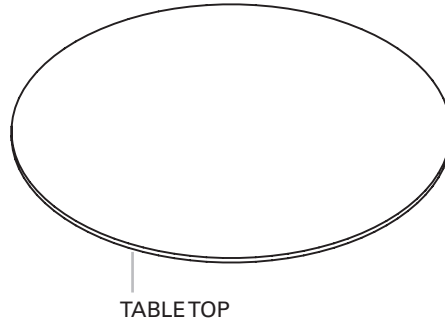
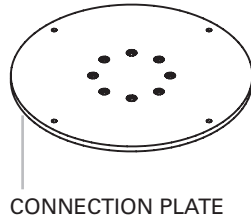
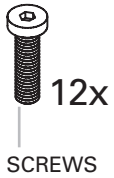


110660 DINING TABLE TURNER

PARTS



Make sure to place all parts on a carpeted or padded area to avoid damaging the materials.

Do NOT use power tools!

Step 1 : Detach the connection plate from the top

Step 2 : Fix the connection plate on the base

Step 3 : Fix the top to the base

