

PARTS BREAKDOWN SHEET



ACCENT TWO HANDLE LAVATORY WIDESPREAD FAUCET



Model #: _____
Specific Features: _____
Project Name: _____
Submitted For: _____
Date: _____

- Lever Handles
- 'C' Style Spout
- 4-9/16" Reach, 1-7/8" From Deck to Aerator
- Washerless Cartridge Operation
- 3-Hole 4" to 16" Installation
- 50/50 Pop-Up Drain Assembly
- With 1.5 GPM Flow Rate

L-7330 SHOWN **ADA**

Model #	Features	Finish	
L-7330*		CP	
L-7330-BN*		PVD BN	
L-7330-ORB*		ORB	

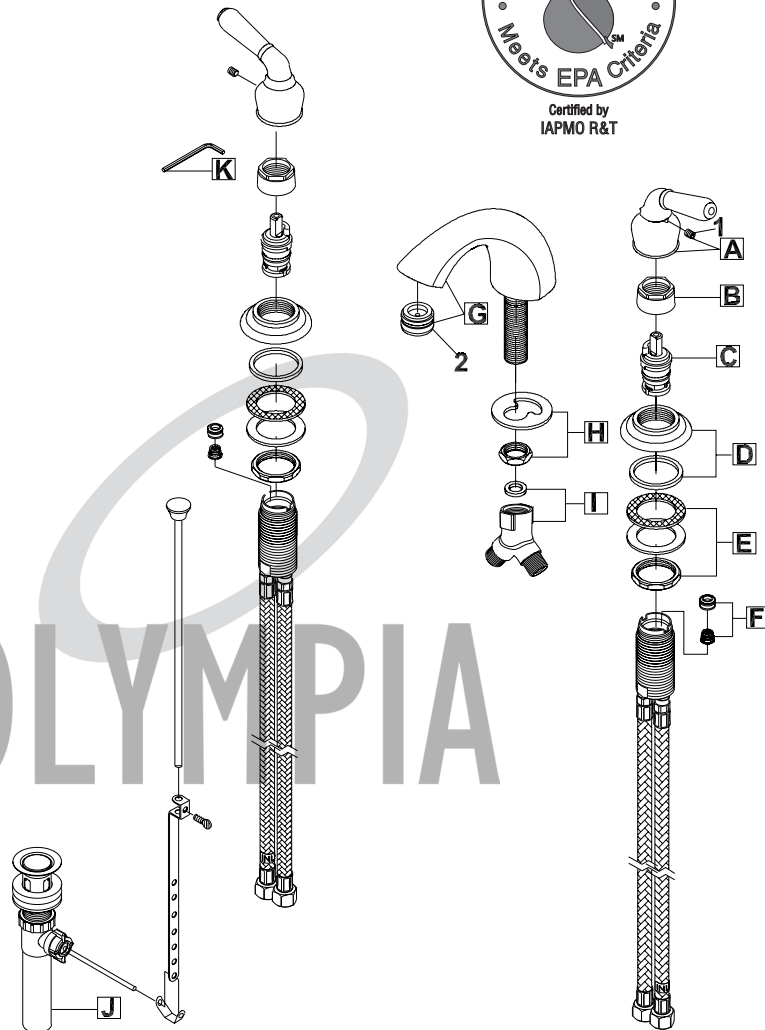
* Aerator limited to 1.5 GPM Flow Rate

Olympia products are engineered and manufactured to meet the following standards and codes:

- ASME A112.18.1
- ANSI A117.1
- ANSI / NSF 61, SECTION 9
- IAPMO LISTED
- CONTAINS NO MORE THAN 0.25% WEIGHTED AVERAGE LEAD CONTENT



ITEM #	DESCRIPTION
A	OP-190010C,H* Lever Handle Cold, Hot
B	OP-490006 Bonnet Nut
C	OP-390004 Cartridge-Brass Post
D	OP-490007* Escutcheon & Gasket
E	OP-590002 Valve Mounting Kit
F	OP-490041 Springs & Seats
G	OP-230001* 'C' Style Spout
H	OP-430001 Spout Mounting Kit
I	OP-490009 "Y" Connector & Washer
J	OP-630004* 50/50 Pop-Up Drain
K	OP-490011 3/32" Allen Wrench
1	OP-490029 Allen Screw
2	OP-490010* 1.5 GPM Aerator



* Note- Please Specify finish\color code while ordering.

Nashville, TN
 www.olympiafaucets.com
 Olympia Faucets, Inc. © 2017
 A Pioneer Industries Inc. Brand
 DMPBL-7330/REV. 01.17

PARTS BREAKDOWN SHEET



Model Number: L-7330

* Note: Please specify finish/color when ordering.
 * Note - Part D includes only on product purchased after March 2019.

	ITEM #	DESCRIPTION
A	OP-490011	3/32" Allen Wrench
B1	OP-190010C, H*	Lever Handle-Cold, Hot (For L-733X)
B2	OP-190015C, H*	Lever Handle-Cold, Hot (For L-7372)
C	OP-490007*	Valve Escutcheon & Gasket
D	OP-530006	Valve Mounting Kit
E	OP-490006	Bonnet Nut
F	OP-330002C, H	Ceramic Stem-Cold, Hot
G	X-4300101	'Y' Connector
H	OP-430001	Spout Mounting Kit
I	OP-230007*	"C" Style Spout
J	OP-630004*	50/50 Pop-Up Drain Assembly (For L-7330)
K	OP-630002*	Brass Pop-Up Drain Assembly (For L-7332, L-7372)
1	OP-490029	3/32" Allen Screw
2	OP-490065*	1.2 GPM Aerator
	OP-490058*	1.0 GPM Aerator

