



VIRTUUSA

www.virtuUSA.com

INSTALLATION INSTRUCTIONS

Confidential : A

SKU : MS5055-CAB

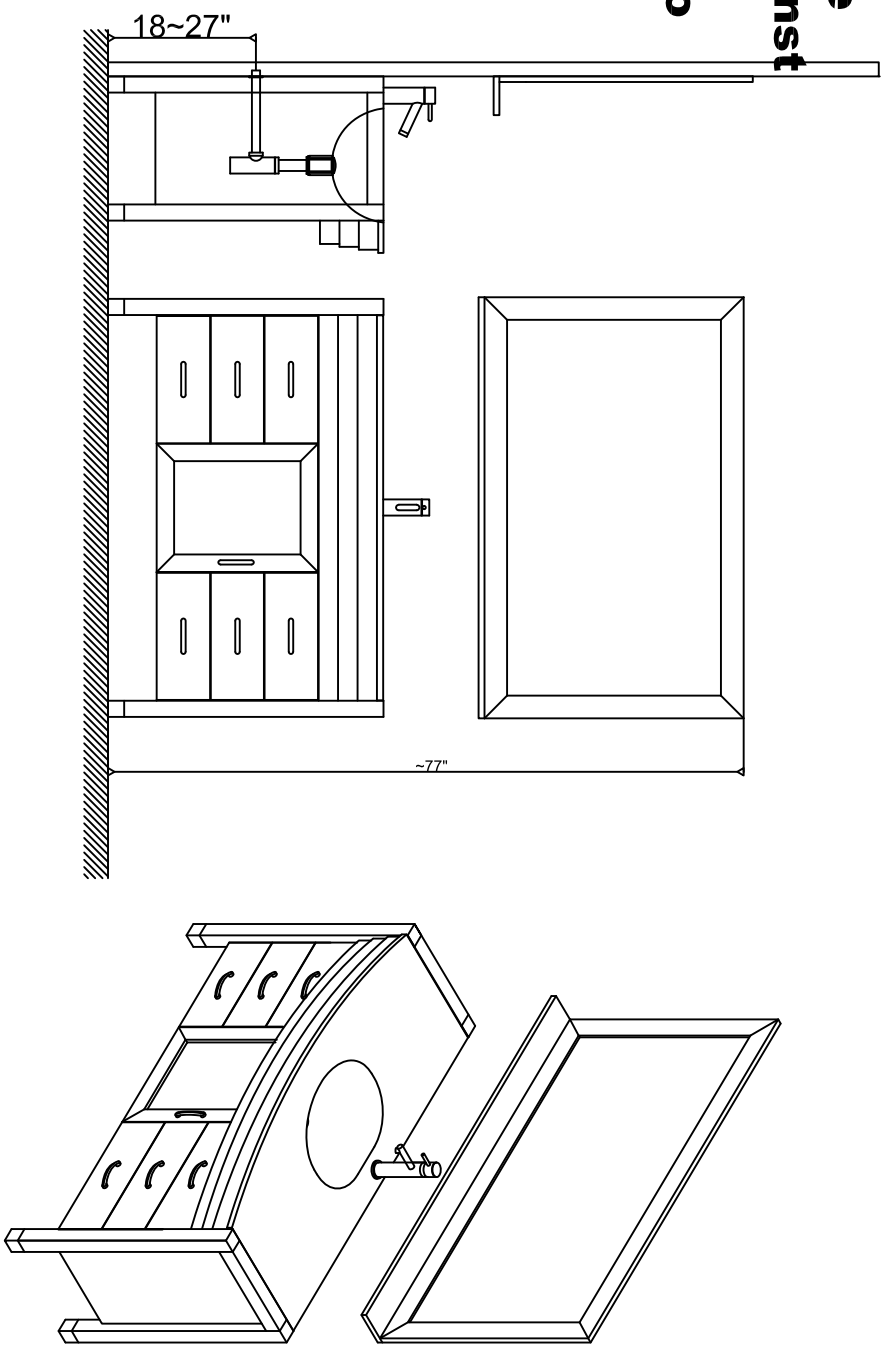
SIZE:1390x540x850

PROHIBIT COPY

.Prior to installation please check received items against the Packing List Please report any missing items to your local dealer immediately.

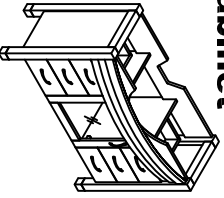
.Protect all surfaces from sharp objects,high heat sources,direct prolonged sunlight and chemical hazards.

.Professional installation recommended.

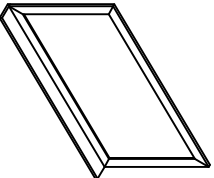


PACKING LIST

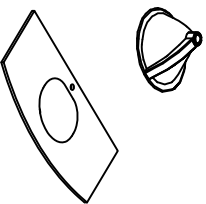
1.Main cabinet



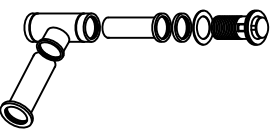
2.Mirror



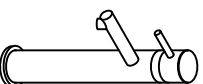
3. Basin



4.Pop up+Drain pipe



5.Faucet



6.Screws



7.Install screw

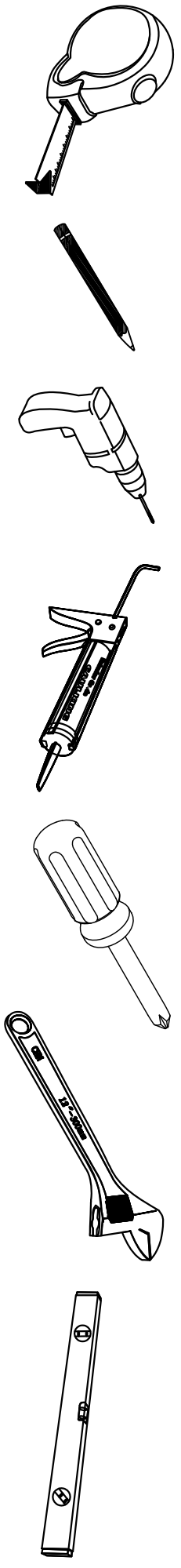


SKU : MS5055-CAB

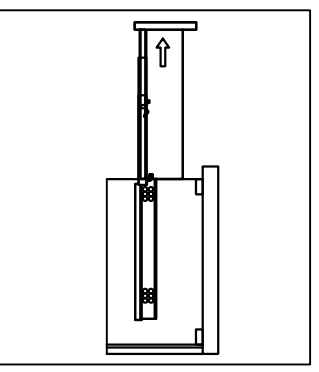
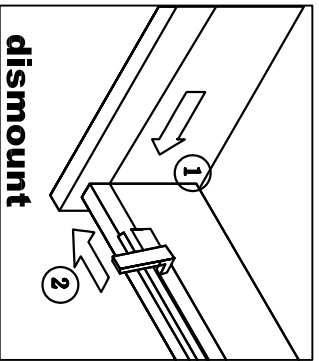
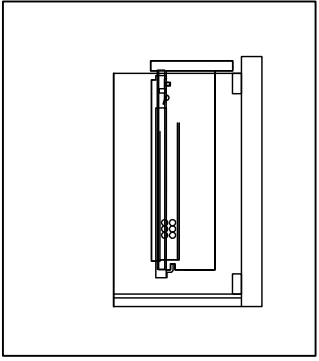
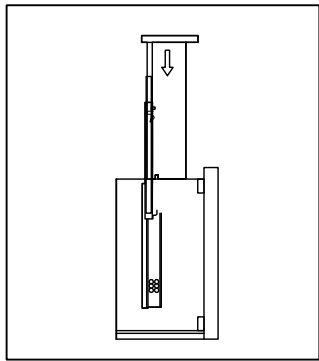
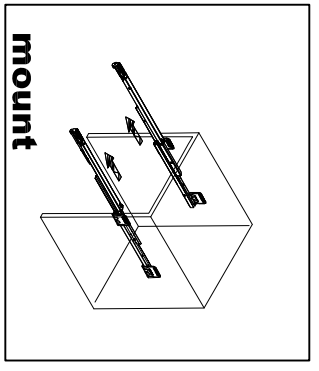
SIZE:1390x540x850

PROHIBIT COPY

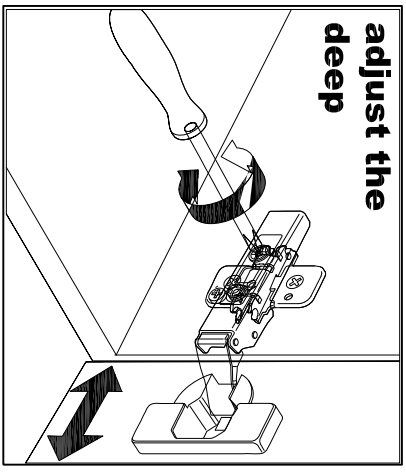
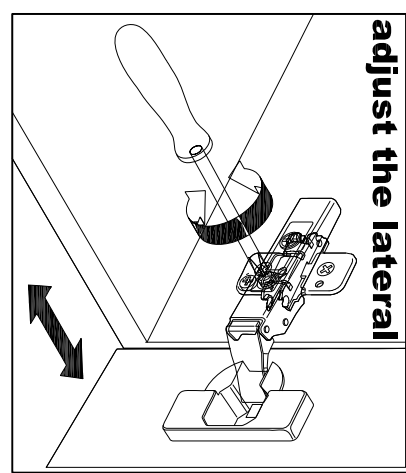
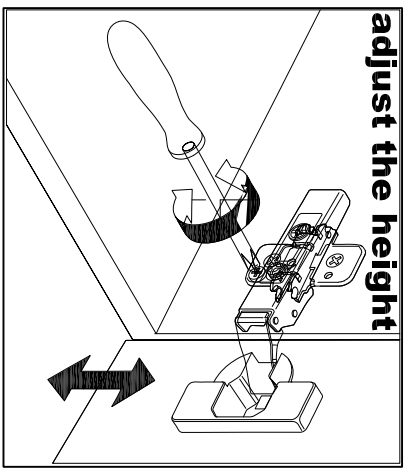
REQUIRED TOOLS



DRAWER SLIDER ATTACHMENT AND DETACHMENT



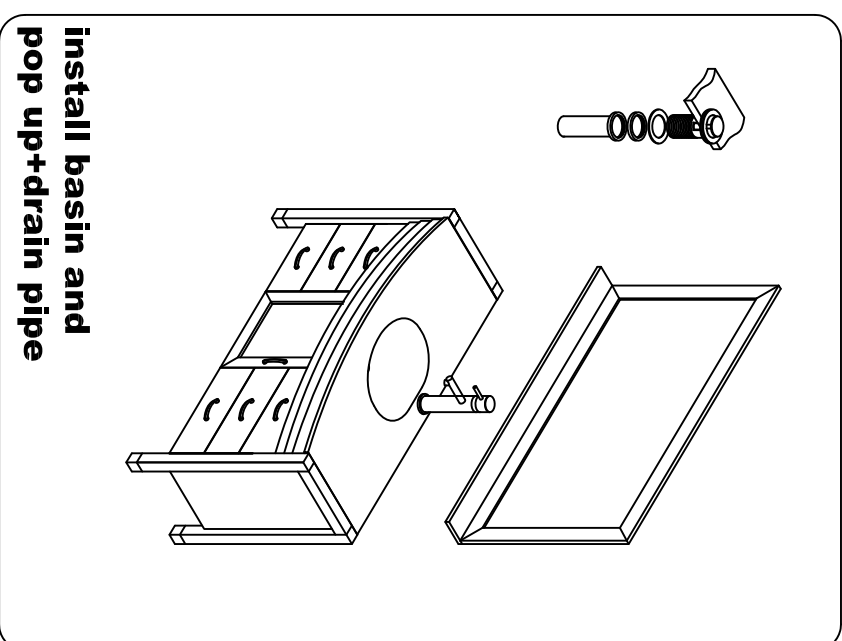
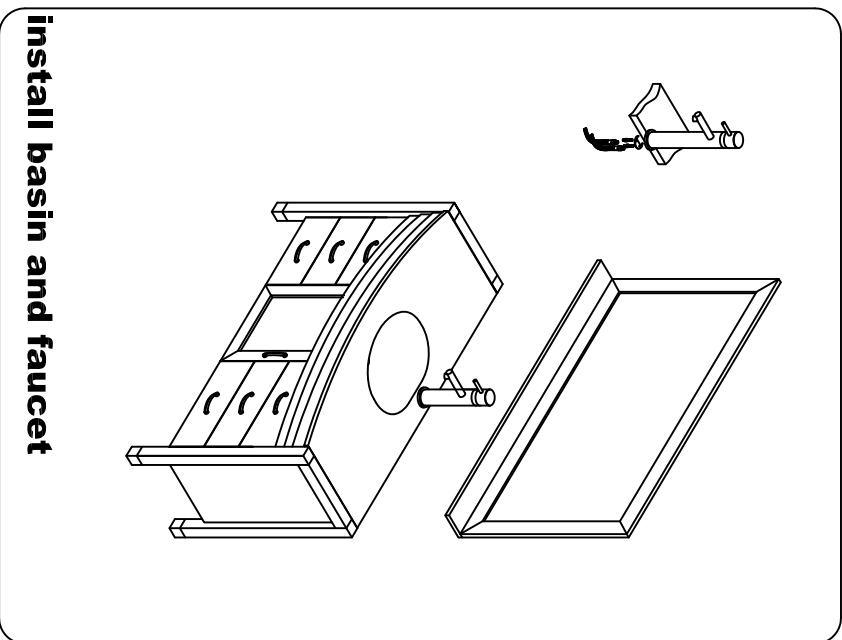
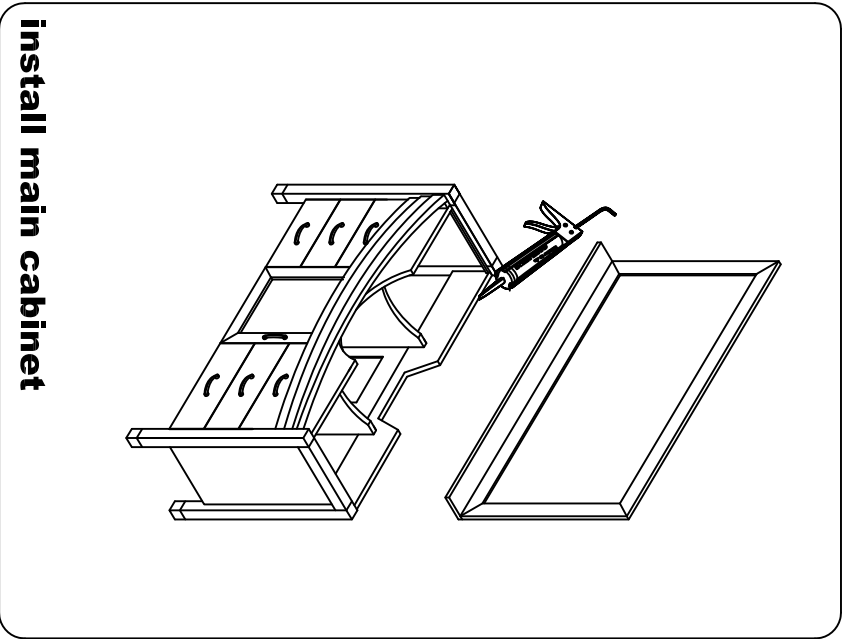
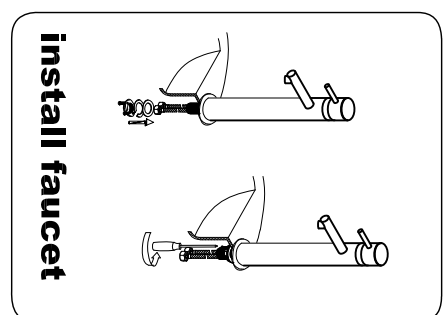
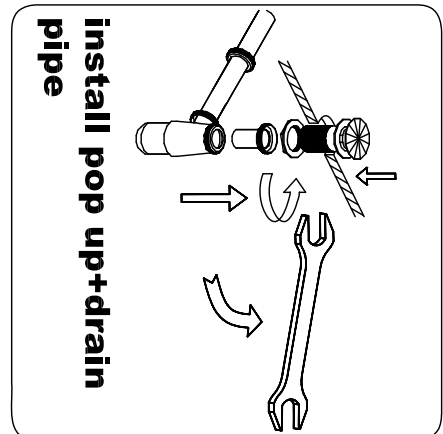
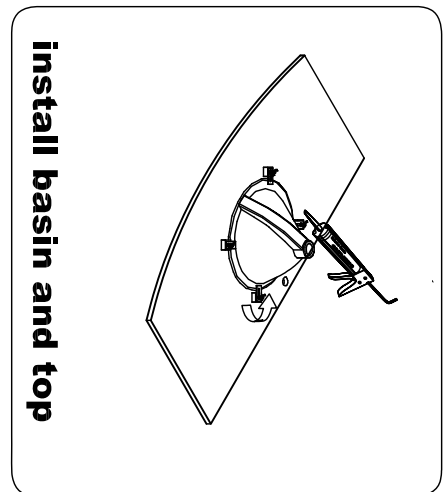
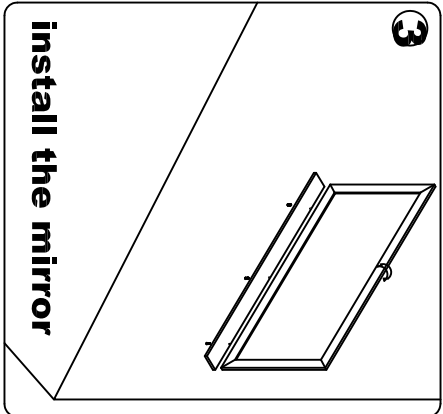
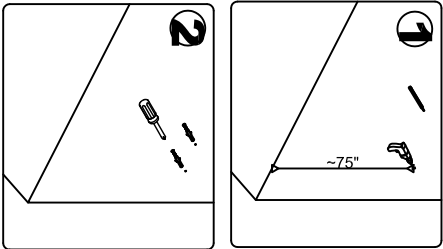
INSTALLATION AND ADJUSTION OF HINGE



SKU : MS5055-CAB

SIZE:1390x540x850

PROHIBIT COPY



install main cabinet

install basin and faucet

install basin and pop up+drain pipe