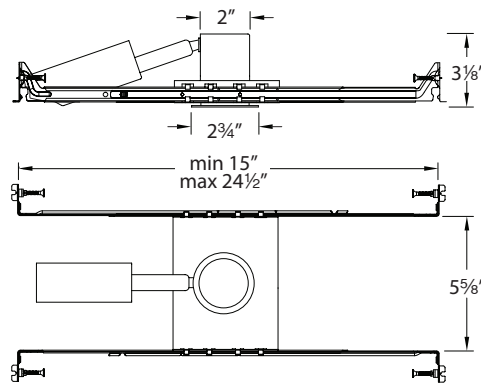


# HR-LED211E

1" LEDme® Downlight

# WAC LIGHTING

Responsible Lighting®



Fixture Type:

Catalog Number:

Project: \_\_\_\_\_

Location: \_\_\_\_\_

## PRODUCT DESCRIPTION

Round recessed trim with interior open reflector. IC-Rated housing included with trim, can be used as new construction or remodel.

## FEATURES

- 1" aperture
- Cutout: 2 1/2"
- Less than 1/16" thick, super low profile die-cast aluminum trim
- Sold as new construction, may be re-configured in the field for remodel
- Narrow flood beam spread
- 25° visual cut-off angle
- 100,000 hour rated life
- 5 year WAC Lighting product warranty

## FIXTURE PERFORMANCE

Model #	Color Temp	Watt	Lumens	Efficacy	CRI
HR-LED211E-27	2700K	4W	160	40.0 Lm/W	85
HR-LED211E-W	3000K	4W	160	40.0 Lm/W	85
HR-LED211E-35	3500K	4W	170	42.5 Lm/W	80
HR-LED211E-C	4500K	4W	201	50.3 Lm/W	75

## SPECIFICATIONS

**Construction:** Die-cast aluminum trim and aluminum heat sink. Housing and junction box are 20 gauge steel painted black. Frame and hanger bars are heavy gauge galvanized steel.

**J-Box:** Seven knockouts and four Romex® style wiring connectors provided for ease of installation. Rated for branch wiring.

**Driver:** Electronic driver, 120VAC/60Hz input, 4W max output. Power factor >0.9. Dimming with thermal protection.

**Light Source:** Includes one 3W ANSI compliant Warm/Neutral LED for the finest color consistency possible. Replacement modules available.

**Dimming:** May be dimmed to 10% with electronic low voltage (ELV) dimmer.

**Mounting:** Supplied with hanger bars, adjustable from 15"-24 1/2" to accommodate various joist constructions and grid sizes. Hanger bars include a captive mounting "screw-nail" for ease of installation. For remodel installation, three heavy gauge inner retention clips push out onto ceiling or other mounting surface to firmly hold housing in place. Accommodates surface up to 1" thick. Minimum plenum height of 4" required. 2 1/2" cutout hole.

**Finish:** Available in White (WT) powder coat paint and electroplated Brushed Nickel (BN) and Gun Metal (GM).

**Rating:** IC-Rated: Suitable for direct contact with insulation.

**Standards:** ETL & cETL Damp Location Listed

## ORDER NUMBER

Model #	Color Temp	Finish
HR-LED211E	27 2700K	BN Brushed Nickel
	W 3000K	GM Gun Metal
	35 3500K	WT White
	C 4500K	

## FINISHES



## REPLACEMENT MODULES

Model #	Color Temp
RM1X3-27-DL	2700K
RM1X3-30-DL	3000K
RM1X3-35-DL	3500K
RM1X3-45-DL	4500K

HR-LED211E -  -

Example: HR-LED211E-C-GM

## WAC Lighting

www.waclighting.com

Phone (800) 526.2588 • Fax (800) 526.2585

## Headquarters/Eastern Distribution Center

44 Harbor Park Drive • Port Washington, NY 11050

Phone (516) 515.5000 • Fax (516) 515.5050

## Western Distribution Center

1750 Archibald Avenue • Ontario, CA 91760

Phone (800) 526.2588 • Fax (800) 526.2585

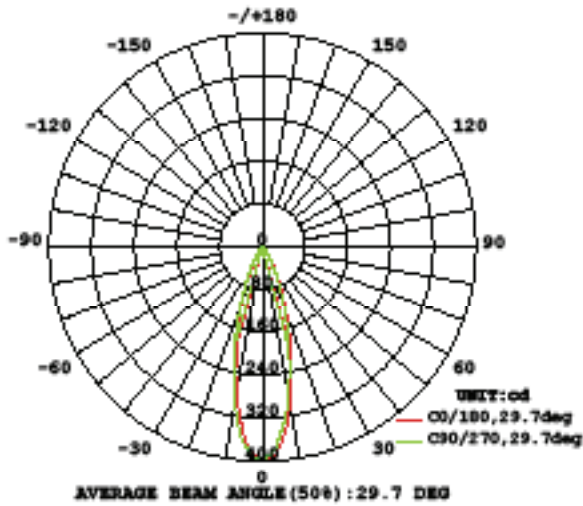
# HR-LED211E

## Photometrics

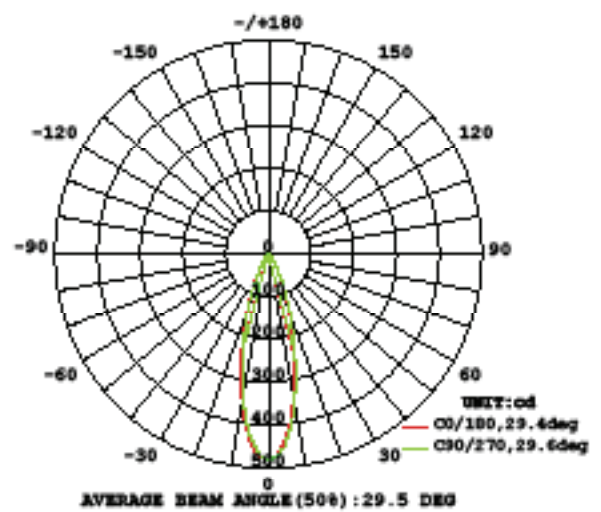
# WAC LIGHTING

Responsible Lighting®

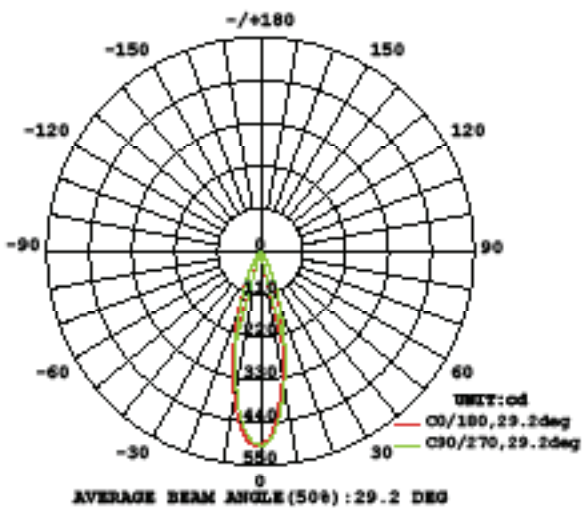
2700K



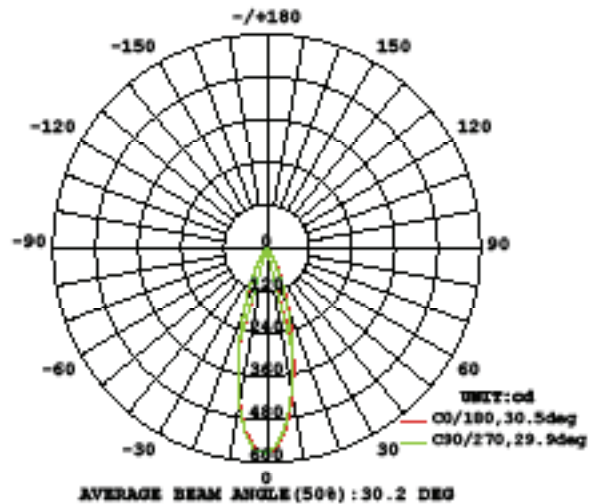
3000K



3500K



4500K



WAC Lighting  
www.waclighting.com  
Phone (800) 526.2588 • Fax (800) 526.2585

Headquarters/Eastern Distribution Center  
44 Harbor Park Drive • Port Washington, NY 11050  
Phone (516) 515.5000 • Fax (516) 515.5050

Western Distribution Center  
1750 Archibald Avenue • Ontario, CA 91760  
Phone (800) 526.2588 • Fax (800) 526.2585