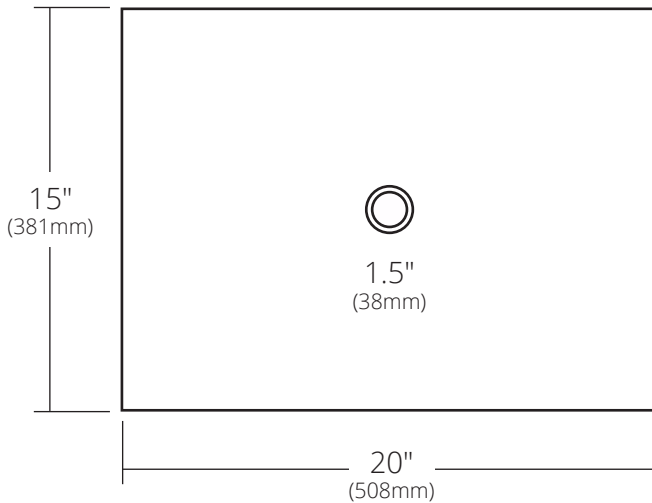


SPECIFICATIONS

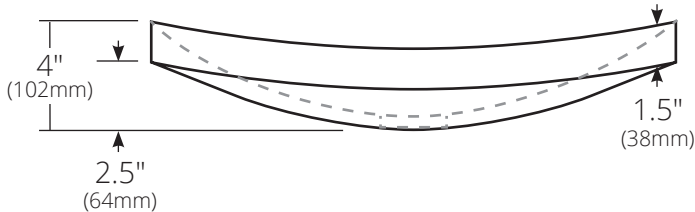
KOHANI



TOP VIEW



SIDE VIEW



- CPS257 Antique
- CPS557 Brushed Nickel
- CPK457 Polished Copper
- CPK857 Polished Nickel

PRODUCT DETAILS

- 20" x 15" x 4" OD (508mm x 381mm x 102mm)
- 20" x 15" x 3.5" ID (508mm x 381mm x 89mm)
- Hand hammered 16 gauge recycled copper
- 1.5" (38mm) drain opening

INSTALLATION

- Vessel

COORDINATING PRODUCTS

- Drains: DR120, DR130 or DR150
- MetalProtect® for polished finishes

STANDARDS COMPLIANCE

- UPC/cUPC compliant

IMPORTANT

Due to the handcrafted nature of this product, it will vary in finish, texture, hammering, and other details. Dimensions may vary up to 1/4" (6mm). We strongly recommend waiting for the actual product before making any installation cuts.