

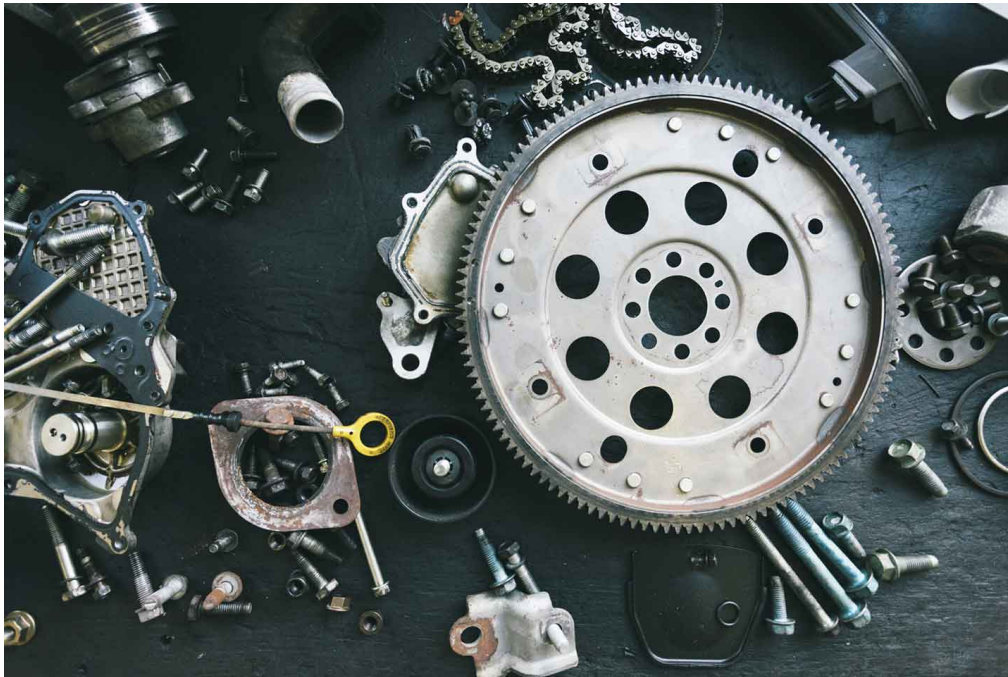
GW - GH - MODEL

INSTALLATION VIDEO

VIMEO LINK

<https://vimeo.com/363605128>

Follow the link above to view installation animation video to assist in installing your brand new Glass Warehouse Glass Hinge Shower Enclosure

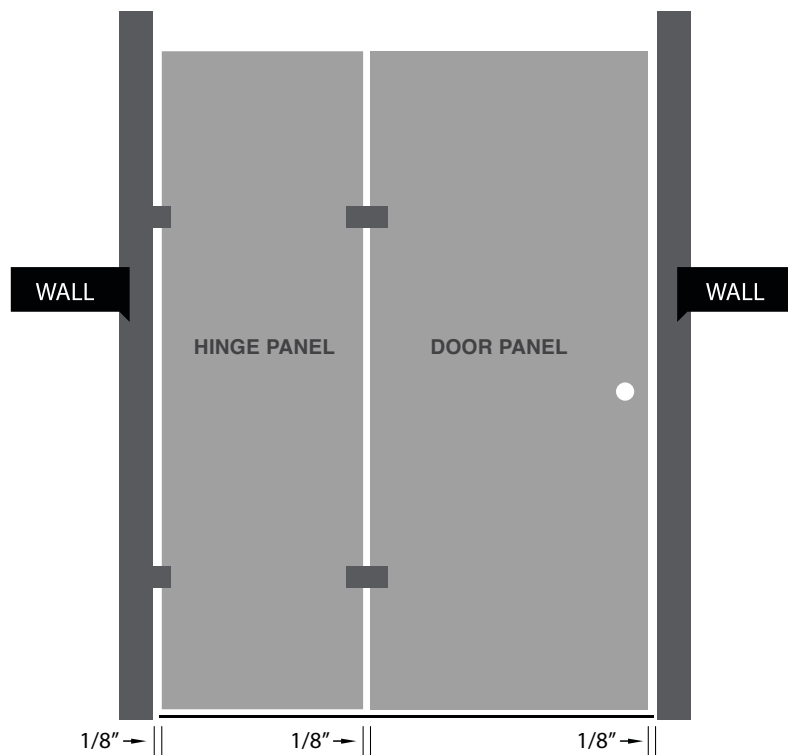


For further assistance, contact GW at: inquiries@glasswarehouse.us



Glass Warehouse

GH Shower Enclosure Installation Guide (Glass Hinge Model)



GAP RANGE

WALL - HINGE = 1/8" to 3/8"

HINGE - DOOR = 1/8" to 13/64"

DOOR - WALL = 1/8" to 13/64"

BEFORE YOU START

The most fragile parts of tempered glass panels are the corners. Therefore, it is critical you have the rubber blocks in place so the glass never touches the tile surface you are installing onto. Please make sure the glass is always on blocks while out of the packaging prior/during install. Rubber block is provided in your hardware pack however you can use wood, cardboard or other rubber products to protect against breakage.

Silicon is not provided this will need to be purchased separately. We recommend using clear, mold resistant silicon which be purchased at your local hardware store.

The items you should receive for this shower door model are listed below. This model ships in **4 packages**.

1. Door panel
2. Hinge panel
3. GH Sweep set – (1 full length sweep, 1 bottom sweep)
4. Hardware pack – (2 hinges, 3 mounting clips, 1 door handle, 1 45° shower rod)

PART ONE – Install Hinge Panel

1. On the wall where the hinge panel is to be placed, mark a level vertical line on the wall with a spirit level.
 - a. This line is where you will be attaching the 2 clips to the wall.
 - i. **TIP:** We recommend using a pencil so this can be easily removed.
2. Mark the center point for the clips.
 - a. Top clip: measure 70 ¼ inches from the floor along the vertical line.
 - b. Bottom clip: measure 7 ¾ inches from the floor along the vertical line.
 - c. The third clip on the floor should be placed 2" from edge closest to door.
 - d. If your Hinge Panel is 33.5" or larger you will have 4 clips. The fourth clip should be installed 3" from the wall to which you are attaching the Hinge Panel.
3. Drill holes and fix clips to the wall and floor.

NOTE: If you are fixing floor clip to a fiberglass shower base use a 1/8" drill bit to pre-drill the hole rather than 1/4" tile drill bit. You will not use the green wall anchor but rather screw the clip directly to fiberglass base.

 - a. Drill holes using a ¼" tile drill bit and insert the plugs provided, you will need to use a rubber mallet or hammer to get these plugs installed.
 - b. Place clip over hole and drill in screws to secure the clip. Make sure these are tightly secured to wall and floor.
4. Set the hinge panel in place.
 - a. Place the 1/8" thick rubber block provided on the ground 1 ½ inches from each edge of the panel closest to wall (if you are using a fourth clip this rubber block is not necessary), place the 1/16" rubber block inside the clip(s) on the floor, this is to prevent the glass touching the tile or clip where all the weight is. No blocks are required in the clips on the wall.
 - b. Carefully place the hinge panel on the rubber blocks and slot the glass into the clips.
 - i. **IMPORTANT:** The most fragile parts of the glass panels are the corners. Therefore, it is critical you have the rubber blocks in place so the glass never touches the tile surface you are installing onto.
5. Ensure the hinge panel is level.
 - a. On the edge that will meet the door panel, use a spirit level to make sure the hinge panel is level and in line.
 - i. **TIP:** Use additional rubber blocks on either of the existing blocks to raise/drop the hinge panel if required to get level.
 - b. Once level, tighten the screws on the clamps very tight.
6. Install the 45 degree shower rod on the inside wall of hinge panel.
 - a. Loosen the end of bracket on rod that fits over the top of glass panel and slide to fit on top edge of panel.
 - b. Position the rod back to wall so that 45 degree corner sits flush on wall and make sure the rod is level in height. Mark the wall with pencil where bracket hole meets the wall and once marked, remove the rod.
 - c. Using a ¼ inch tile drill bit, drill the hole in wall and insert the wall plug provided.
 - d. Re-install the 45 degree shower rod on glass and screw the other end to the wall. Once screwed off at wall, tighten the grub screw on other end where bracket is attached to glass panel.

PART TWO – Silicone Hinge Panel

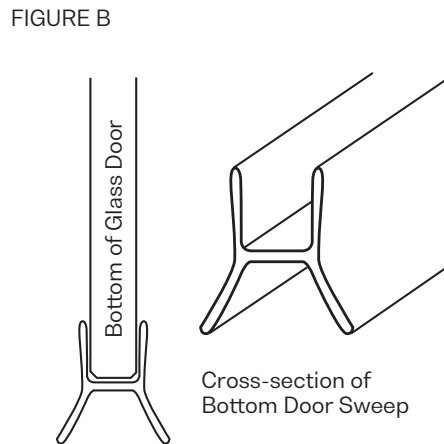
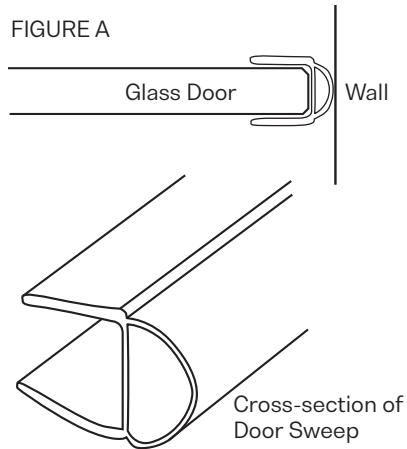
IMPORTANT: Siliconing your panel is essential as not only does this prevent your panel from leaking water it is also imperative to the integrity and strength of the shower enclosure.

1. Measure the opening left over from edge of glass to the wall, this opening measurement should be at least the width of your door panel plus $\frac{1}{4}$ " for the door to fit in this space. If the opening is smaller than the door panel width + $\frac{1}{4}$ " please contact Glass Warehouse on (760) 536 3640 so we can solve this issue for you.
2. If the size / opening is ok silicone the wall and floor surface of the hinge panel. You need to silicone the inside and outside of the shower, siliconing the hinge panel is imperative for the structural integrity of this shower door, the heavy door panel may pull this out of place if not siliconed in place.
 - i. **TIP:** Spraying the silicone with water after applying the silicone and using a spatula of some kind to remove the silicone residue will give you a nice clean and professional finish.
3. **Once you have completed siliconing the hinge panel into place, it is critical you leave the silicone to set for 36 hours. Whilst the silicone is setting please leave the door panel off and only hang the door once silicone has cured.**

PART THREE – Install Door Panel

1. Attach the hinges to the hinge panel.
 - a. Ensure you have the hinges placed in the correct direction. The side of the hinge with the solid plate is attached to the hinge panel. The side with the screws of the hinges should be on the inside of the shower enclosure.
 - b. Lightly tighten each screw with the allen keys provided so the hinges are lightly secured only.
 - i. **TIP:** Center each hinge to the cutout allowing some space to adjust the height of the door panel once installed.
2. Attach the door handle to the door panel.
 - i. **IMPORTANT:** Ensure the handle is firmly attached.
 - ii. **TIP:** Most DIY-ers won't have professional suction/vacuum equipment to lift the glass, so this is why we recommend attaching the door handle first so when lifting the glass you have something secure to hold onto.
3. Take off the backing plates of the hinges on the door side.
4. Set the door panel in place.
 - a. Place the $\frac{3}{8}$ " thick rubber blocks provided on the ground 2-3 inches from each edge of the panel.
 - b. Carefully place the door panel on the blocks and make the cutouts line up with the back of the hinges and ensure the tops of both the hinge and door panels line up and are level. Then make the vertical gap between the door to hinge panel and door to wall are even, if you need to you can add smaller rubber blocks to even the gaps or make the tops of glass panels level.
 - i. **NOTE:** The door panel is $\frac{1}{4}$ inch shorter than the hinge panel to allow for swing and to fit the bottom sweep for door panel to prevent water leakage.
 - c. Put the backing plates on hinges and tighten all 4 screws on each hinge, now make sure these screws are very tight so that your door panel won't drop once the packers are taken away.
 - i. Take the packers out from under the door and lightly swing door to make sure it is not binding anywhere.
 - d. Once you are confident with the positioning of the door and the hinges are very tight, apply the bottom door sweep provided to prevent any water leakage from under the door. There is also a full length sweep provided for the edge of the door where it meets the wall, this is only required if you remaining opening gap is larger than $\frac{1}{4}$ "

5. Locate the 78" sweep that will seal the space between the door and the wall. Attach the sweep on the edge of the door that meets the wall (see Figure A below).
Locate the 30" door sweep (see Figure B below). Measure the width of your door and trim the sweep to match your door size. Slide sweep on to the bottom of door panel to prevent any water leakage from under the door. Please make sure the bottom of the door is very clean before installing.



Glass Warehouse is here to assist you, so if you run into any troubles or have any queries don't hesitate to contact us on: inquiries@glasswarehouse.us or (760) 536-3640.

EnduroShield

Care & Maintenance



Glass Warehouse

EnduroShield makes your cleaning easier and less frequent; however it is recommended that you continue to clean the surfaces regularly.

Maintaining the Treated Surface

For best results simply drying the glass with a squeegee or towel after each use will help keep the glass clean and reduce mineral spots forming. The glass needs to be cleaned every few weeks using a damp microfiber cloth and a mild detergent to break down soaps, oils, and conditioners on the glass. General glass cleaners are also suitable, however most of these are finishing agents rather than cleaners, and are an added expense that is not required.

Hard Water Maintenance

In hard water areas, or areas where water drops dry and leave a noticeable dust mark, a build of minerals may occur on the protective treatment. While these may not be removed as easily with the mild detergent, mild acids will often remove the marks quickly. As needed white vinegar should be used to wipe down the glass. Keep in mind the vinegar may be diluted with water, however dilution reduces the effectiveness.

Spray vinegar onto the glass and allow to soak for several minutes. This should dissolve any mineral deposits that have built up on the glass surface. A damp microfiber cloth should then be used to wipe over the surface. For extreme hard water areas we recommend using undiluted vinegar every week or so as a cleaning option to reduce this build up on the surface, rather than allowing the build up to continue over a long period of time.

Caution: Prohibited Products **Note these may damage the treatment and void any warranty*

- > Avoid the use of any abrasives or polishes including water spot removers, toothpaste, polishes, rough, or gritty substances
- > Avoid the use of acids or alkalis that you would not want in contact with your skin for an extended period of time
- > Avoid products such as Comet, Ajax, Jiff or Cerium Oxide which polish back the actual substrate
- > Avoid the use of any harsh or chemical cleaners, with correct maintenance these are never required

Approved Cleaning Products

The below products have been tested for compatibility with EnduroShield, however there are no specific products that must be used. We feel you should not be required to purchase extra products in order to keep your glass clean. With correct maintenance, all you need for clean glass beyond 10 years is a squeegee, a mild liquid dish soap, and white vinegar.

Any product that does not fall into the prohibited categories listed above will be fine, and below is a short list of acceptable products:

- > Windex
- > SprayWay (or other alcohol based foaming cleaners)
- > Scrubbing Bubbles (or other automatic leave-to-dry daily shower cleaners)
- > 7th Generation, Dawn (or other mild eco friendly cleaners)
- > CLR (Calcium Lime Rust)
- > Mr. Clean Magic Eraser (when damp)

It should be noted that with any cleaner used on the EnduroShield surface a thorough rinse with clean water should follow immediately. Although these cleaners can be used, EnduroShield is designed to be an 'easy clean coating' that does not require harsh or toxic cleaning chemicals to maintain the surface effectively.

If for any reason the recommended maintenance has not been followed for some time, just as it took time for the build up to occur, it will take time to remove the debris from the protected glass surface. This can most commonly be achieved using undiluted white vinegar dampened on a Magic Eraser, or CLR on a Magic Eraser. Depending on the severity of the build up this may take multiple attempts, but once the glass is clean again it will perform like new. Should you have any queries regarding the cleaning of your treated surfaces please contact EnduroShield.

tel: 805 617 4609

email: salesusa@enduroshield.com

www.enduroshield.com

GLASS WAREHOUSE®

Exclusive Limited Warranty

Warranty, Terms and Conditions

This warranty is effective as of JANUARY 1, 2019 on all Glass Warehouse product purchases

PLEASE READ GLASS WAREHOUSE WARRANTY TERMS AND CONDITIONS BEFORE INSTALLING YOUR GLASS WAREHOUSE PRODUCT. BY USING THE PRODUCT, YOU ARE CONSENTING TO BE BOUND BY THE FOLLOWING WARRANTY TERMS AND CONDITIONS

Glass Warehouse offers the following warranty for its products and components thereof. This warranty extends only to the original owner/end-user for household use only and is not transferable to a subsequent owner. Glass Warehouse reserves the right to modify this warranty at any time, it being understood that such modifications will not alter the warranty conditions applicable at the time of sale of the products in question. This warranty extends for a designated period of time, so long as the product remains in use in its original place of installation and that the product must be maintained as described in the owner's manual supplied with the product. This warranty applies only to Glass Warehouse® products purchased from an authorized dealer in the United States or Canada.

Proof of purchase (original sales receipt) from the original consumer purchase must be provided with all warranty claims. No responsibility is assumed by Glass Warehouse for any special, incidental or consequential damages. **IN NO EVENT SHALL THE LIABILITY OF GLASS WAREHOUSE EXCEED THE PURCHASE PRICE OF THE UNIT.**

Glass Warehouse products must be installed by a fully insured, licensed professional and according to the Glass Warehouse installation instructions and guidelines. Installation of Glass Warehouse product by anyone other than a fully insured licensed professional shall **VOID THE WARRANTY**. Glass Warehouse recommends that such licensed professionals have experience in the installation of bathroom products -specifically glass shower and glass tub doors. Installation of certain products, including, without limitation, glass products (i.e., shower and tub doors) by an unlicensed or inexperienced installer may result in glass breakage and, consequently, may cause personal injury or even death and Glass Warehouse will not be liable.

PARTS ONLY WARRANTY – Limited Warranty 3 years

This warranty is extensive in that it covers replacement of all defects. Glass Warehouse may, at its option, examine and inspect the alleged defective product and Glass Warehouse may request that parts be returned to Glass Warehouse at Owner's expense for factory assessment and inspection. If Glass Warehouse determines product to be covered by the above Warranty, replacement parts will be shipped via ground shipping. Increased costs for expedited delivery, if requested by the Customer, will be the responsibility of Customer. Parts replaced under the terms of this Warranty will be warranted for the remainder of the original warranty period. **LABOR CHARGES AND/OR DAMAGE INCURRED DURING INSTALLATION, REPAIR, OR REPLACEMENT, AS WELL AS ANY OTHER KIND OF ANCILLARY COST, LOSS OR DAMAGE ARE EXCLUDED.** Please allow up to 1-3 business days for processing of warranty issued parts. Once warranty replacement parts are shipped, warranty is activated and product cannot be returned for refund thereafter.

SHOWER & TUB DOORS, SHOWER ENCLOSURES GLASS

Glass Warehouse shower doors, tub doors, and shower enclosures are backed by a Limited Lifetime Warranty. Glass Warehouse warrants the glass of shower doors, tub doors and shower enclosures to be free from defects in workmanship and materials under normal residential use for a period commencing from the initial date of purchase by the owner/ end-user, contractor or builder from an authorized Glass Warehouse dealer for the life of the product as long as the original consumer purchaser owns the home in which the product is installed. Warranty for plastic seal strips, sweeps or any other vinyl components shall be limited to one (1) year. Glass Warehouse does not warrant glass for scratches, chips, water spots, breaking or any other damage after installation.

SHOWER & TUB DOORS, SHOWER ENCLOSURE HARDWARE

Glass Warehouse shower door, tub door, and shower enclosure hardware is backed by a Limited Lifetime Warranty. Glass Warehouse warrants shower door, tub door and shower enclosure hardware (i.e. handles, bath knobs, hinges, clips, brackets, shower rods, 90° corner brackets) **in chrome, brushed nickel, satin brass and polished brass finishes only** to be free from defects in workmanship and materials under normal residential use for a period commencing from the initial date of purchase by the owner/ end-user, contractor or builder from an authorized Glass Warehouse dealer for the life of the product as long as the original consumer purchaser owns the home in which the product is installed. Warranty for any part in **oil rubbed bronze or matte black finish** shall be limited to one (1) year.

Glass Warehouse hereby disclaims all warranties for products sold as dealer or store displays. Glass Warehouse hereby disclaims all warranties for products used outside of the United States or Canada whether expressed or implied, including but not limited to the implied warranties of merchantability and fitness for a particular purpose.

WARRANTY TERMS

Glass Warehouse will, at its election, repair or replace the product found by Glass Warehouse in its sole judgment, to be defective within the warranty period under normal residential use and maintenance. The replacement of a product is limited to supplying a replacement product or part (same as existing or if not available, comparable product). Glass Warehouse warranty obligation shall be discharged upon tender of parts, replacement or repair of the product. Purchaser's refusal to accept the tender terminates all warranty obligations and **VOIDS THE WARRANTY**. Cost of freight for returning products to Glass Warehouse for repairs or replacement under this limited warranty are the responsibility of the customer. Cost of freight associated with shipping of replacement product(s) or parts covered by this warranty is the responsibility of the original user. Any product replaced or repaired during the warranty period will be covered only for the remaining period of the original warranty. In no event will Glass Warehouse be liable for costs of repair or replacement of any installation material, including but not limited to tile, marble, etc. **GLASS WAREHOUSE IS NOT RESPONSIBLE FOR INSTALLATION, REMOVAL OR REINSTALLATION COSTS OF ANY PRODUCT REQUIRING WARRANTY SERVICES.**

Any modification or alteration of any Glass Warehouse products will void the warranty. Neither the authorized Glass Warehouse dealer, nor any other person is permitted to make any affirmation, representation, or warranty other than those contained in this warranty. Any affirmation, representation, or warranty other than those contained in this warranty shall not be enforceable against Glass Warehouse or any other person.

Glass Warehouse product installations must be performed by either a Glass Warehouse authorized agent or a licensed, insured and experienced professional contractor - installations performed by any other party shall void the warranty. This warranty shall not apply to breakage or damages caused by normal wear and tear, fault, carelessness, abuse, misuse, misapplication, improper maintenance, alteration or modification of the unit, as well as chemical or natural corrosion, accident, fire, flood or any other casualty. Improper care and cleaning will void the warranty. Use of cleaners containing abrasive cleansers, ammonia, bleach, acids, waxes, alcohol, solvents or other products not recommended for hardware finishes, glass or acrylic as they may damage the metal or glass finish of your shower door or shower enclosure and will void the warranty. For additional product maintenance instructions please refer to the product installation manual. Glass Warehouse is not responsible for any issues arising in connection with errors or omissions in information provided on Glass Warehouse or dealers' websites. This warranty does not extend to any non-Glass Warehouse plumbing or components installed by installers, end users or by any party other than Glass Warehouse.

THE FOREGOING WARRANTIES ARE IN LIEU OF ALL OTHER WARRANTIES, EXPRESSED OR IMPLIED, INCLUDING BUT NOT LIMITED TO THE IMPLIED WARRANTIES OF MERCHANTABILITY AND FITNESS FOR A PARTICULAR PURPOSE. BATH AUTHORITY LLC ("GLASS WAREHOUSE") AND/OR SELLER DISCLAIMS ALL LIABILITY FOR SPECIAL, INCIDENTAL OR CONSEQUENTIAL DAMAGES. GLASS WAREHOUSE IS NOT LIABLE FOR PERSONAL INJURIES OR DEATH TO ANY PERSON OR FOR ANY DIRECT, SPECIAL, INCIDENTAL OR CONSEQUENTIAL DAMAGE, LOSS OF USE, LOSS OF TIME, LOSS OF PROFITS, INCONVENIENCE, INCIDENTAL EXPENSES, LABOR OR MATERIAL CHARGES, OR ANY OTHER COSTS RESULTING FROM THE USE OF ITS PRODUCTS OR PERTAINING TO THE APPLICATION OF THE PRESENT WARRANTY, OR RESULTING FROM THE REMOVAL OR REPLACEMENT OF ANY PRODUCT OR ELEMENT OR PART COVERED BY THIS WARRANTY.

COMMERCIAL USE AND OTHER EXCLUSIONS

This warranty excludes all industrial, commercial and business usage. The warranty period for products installed for commercial applications or used in commercial ventures, including but not limited to motels, hotels, casinos, student housing, condos, apartments, and fitness centers, is a one (1) year limited warranty from the date of purchase for shower doors, bathtub doors, shower enclosures and a three (3) month limited warranty from the date of purchase for mirrors, with all other terms of this warranty applying except the duration of the warranty.

WARRANTY SERVICE

To file a warranty claim the following information is required:

- Name, address and telephone number
- Product model number
- Brief description of problem (please note that additional information such as photos may be required to fully process your warranty claim)
- Proof of purchase (sales receipt, invoice, etc.)
- PO, Invoice or original purchaser name

Submit required information by e-mail: accounts@glasswarehouse.us

Or, contact Technical Support Monday – Friday 8am – 5pm – PST

Technical Support: 760-536-3640