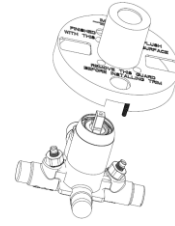


ASME A112.18.1/CSA B125.1

## PRESSURE BALANCE VALVE



---

### You may need:

---



### For easy installation of your faucet you will need:

To **READ ALL**

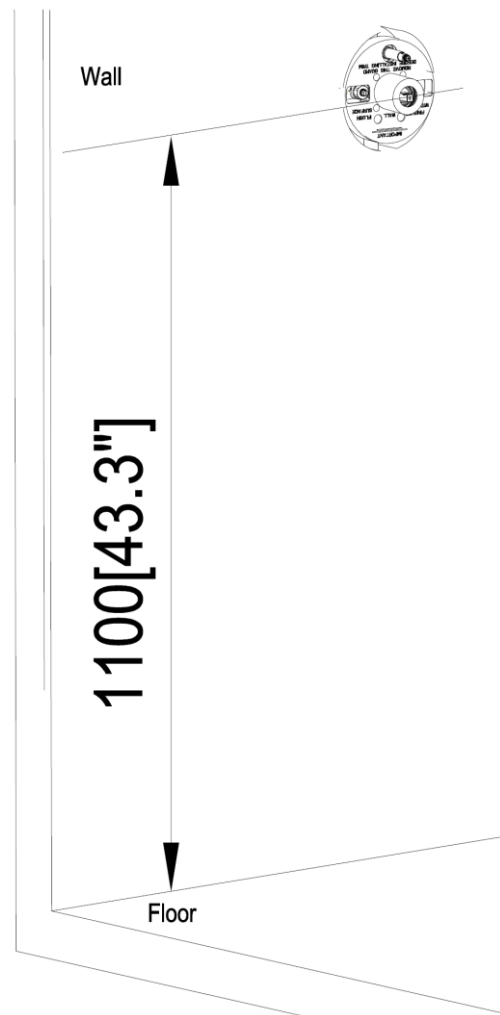
the instructions completely before beginning.

To **READ ALL**

warnings, care, and maintenance information.

To purchase the correct water

supply hook-up.



## Cleaning and Care

Care should be given to the cleaning of this product.

Although its finish is extremely durable, it can be damaged by harsh abrasive or polish. To clean, simply wipe gently with a damp cloth and blot dry with a soft towel.

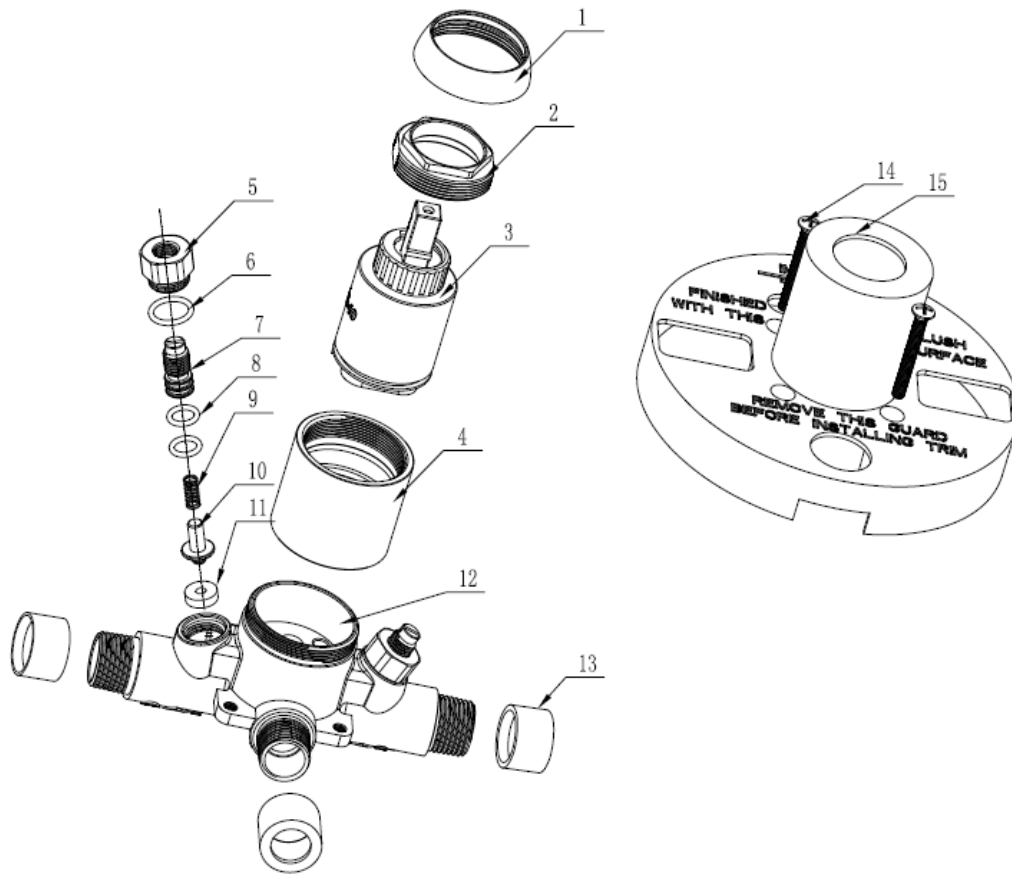
## WARNING

Scrubbing Bubbles Bathroom Cleaner and Lysol Basin Tub and Tile Cleaner must not be used on the clear knob handles and levers. Use of these cleaners can result in cracked or severely damaged handles. If overspray gets onto the handles, immediately wipe them dry with a soft cotton cloth.

## LIFETIME FAUCET AND FINISH LIMITED WARRANTY

All parts and finishes of the faucet are warranted to the original consumer purchaser to be free from defects in material & workmanship for as long as the original consumer purchaser owns their home. We recommend using a professional plumber for all installation & repair. We will replace, FREE OF CHARGE, during The warranty period, any part or finish that proves Defective in material and/or workmanship under Normal installation, use & service. This warranty is extensive in that it covers replacement of all defective parts and even finish, but these are the only two things that are covered. LABOR CHARGES AND/OR DAMAGE INCURRED IN INSTALLATION, REPAIR, OR REPLACEMENT AS WELL AS ANY OTHER KIND OF LOSS OR DAMAGES ARE EXCLUDED. Proof of purchase (original sales receipt) from the original consumer purchaser must be made available to us for all warranty claims. This warranty excludes all industrial, commercial & business usage, whose purchasers are hereby extended a five year limited warranty from the date of purchase, with all other terms of this warranty applying except the duration of the warranty.

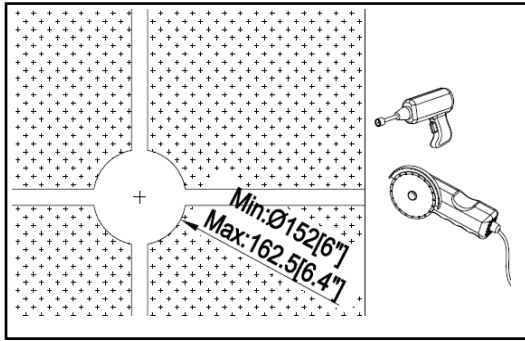




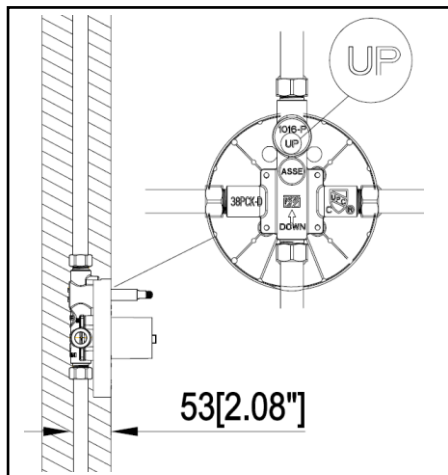
- |             |                      |
|-------------|----------------------|
| 1.Cap       | 10.Small Cartridge   |
| 2.Nut       | 11.Washer            |
| 3.Cartridge | 12.Body              |
| 4.Sleeve    | 13.Protective sleeve |
| 5.Nut       | 14.Screw             |
| 6. O-ring   | 15.Install cover     |
| 7. Screw    |                      |
| 8.O-ring    |                      |
| 9. Spring   |                      |



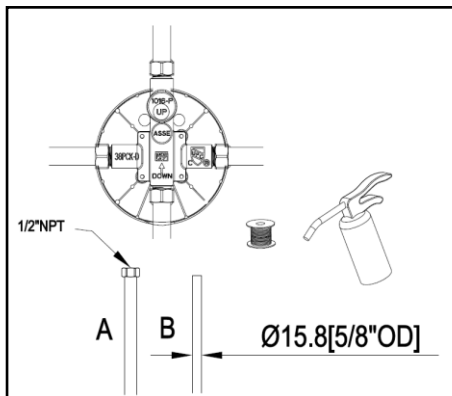
## Installation



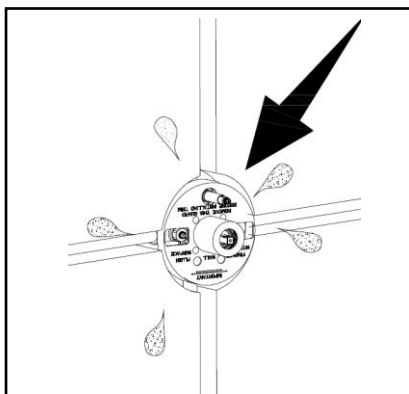
1. Make a hole to install pressure balance valve in the wall as per the drawing.
2. Note: The hole dimension Min: 152mm  
Max: 162mm.  
Do not make bigger or smaller .



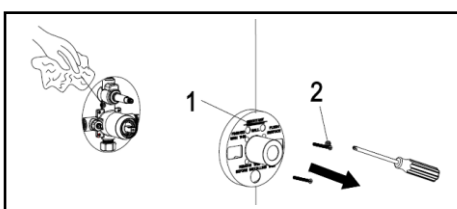
Install balance valve as per the plastic guard marked. Note the UP and down.



Connect valve body to water supplies.  
Using 5/8" O.D copper tubing or tubing with 1/2"-NPT screw nut.



Make the supply tube for connect shower and spout and valve.  
Open valve ,all the way on for check leaks.



Relax screws(2) from plastic guard(1).  
Remove the plastic guard(1).  
Cleaning the wall, continue to install trim kits,  
if you need.

