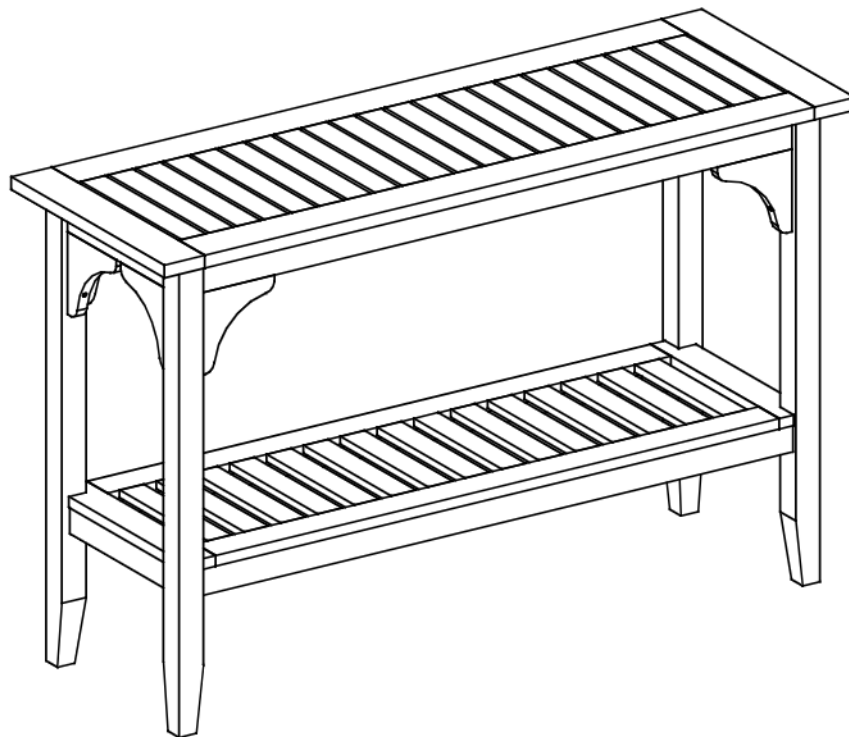


**ASSEMBLY INSTRUCTIONS**  
**TEAK CONSOLE TABLE**  
**IT-350229T**



**CUSTOMER SERVICE INFORMATION**

Please email us at [info@cambridge-casual.com](mailto:info@cambridge-casual.com) for assembly tips, report damage, or request parts.

For faster response, please write down item number, code for missing parts,  
attach the purchase receipt and picture of damaged parts.

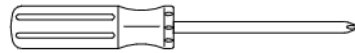
Toll free number : 1-888-287-4275 from 9:00 am to 5.00pm CST (Monday to Friday).

## GENERAL INFORMATION & TIPS

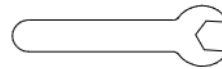
1. Please read the assembly instructions prior to assembling the console table.
2. To avoid damage, assemble the console table on a non-abrasive surface such as carpet.
3. Make sure all bolts and nuts tightly fastened before the console table is used.
4. This console table is not for commercial use.

Please make sure you have all parts before beginning assembly. Please wait until all steps are completed before tightening bolts and nuts.

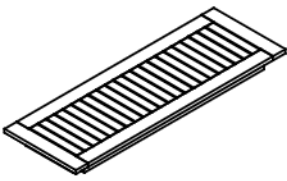
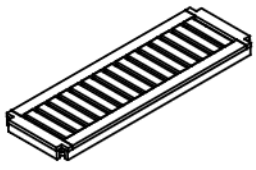

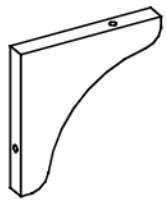


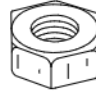


1. 8" Philips screwdriver (not included)  
- For tightening all bolts



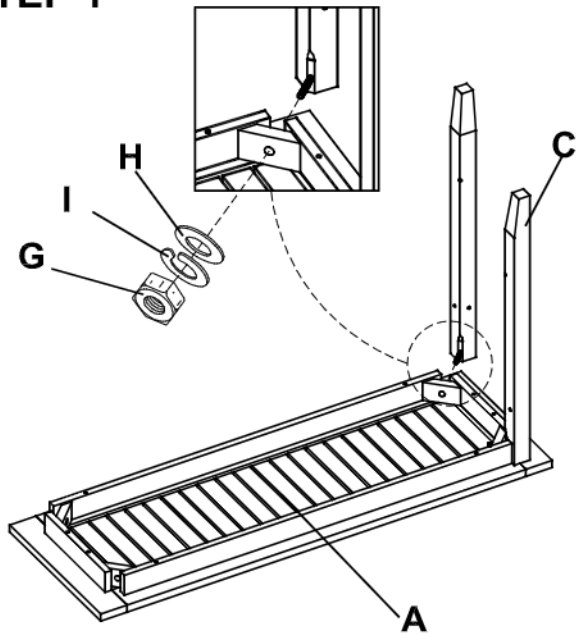
2. A Wrench is necessary for assembly  
it's included in hardware list.



## PARTS AND HARDWARE LIST

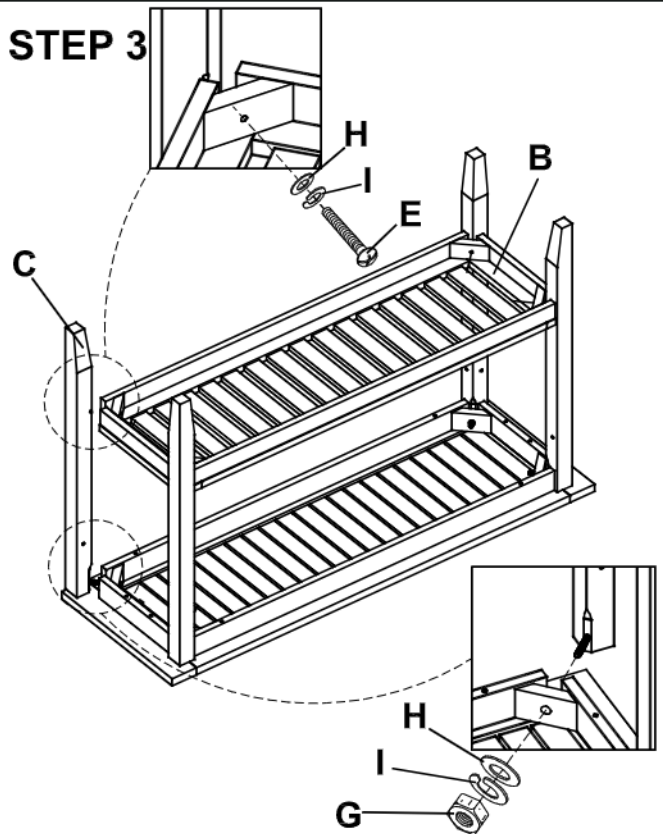
A. Table top	B. Tray	C. Leg	D. Support
			
QTY: 1 Pc	QTY: 1 pc	QTY: 4 pcs	QTY: 8 pcs
E. 1 3/4" Bolt	F. 1 1/2" Screw	G. Nut	H. Washer
			
QTY: 4 Pcs + 1	QTY: 16 Pcs + 1	QTY: 4 pcs	QTY: 8 Pcs + 1
I. Spring washer			
			
QTY: 8 Pcs +1			

## STEP 1



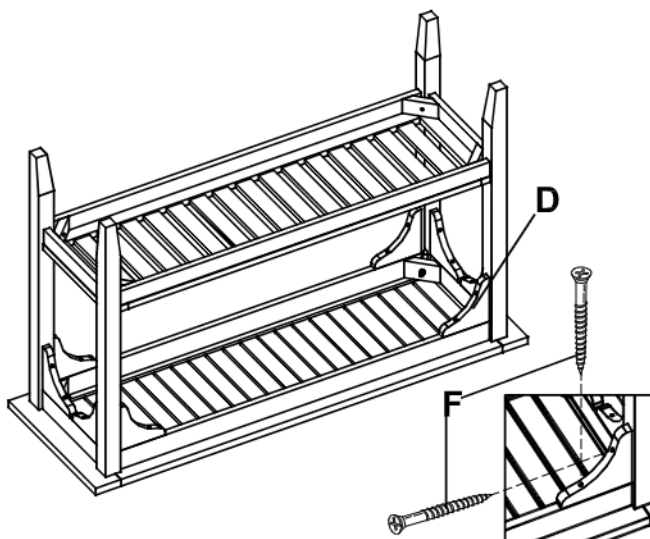
- ATTACH TWO LEGS (C) ONTO CORNER TABLE TOP(A) (AS SHOWN). SECURE WITH NUTS(G), SPRING WASHER (I) AND WASHER (H) USING WRENCH. NOT TIGHTEN ALL NUTS YET

## STEP 3



- ATTACH THE TRAY (B) ONTO MIDDLE LEG. SECURE WITH 1 3/4" BOLTS (E), SPRING WASHER (I), AND WASHER (H) USING SCREWDRIVER.
- NEXT, ATTACH LEG (C) ONTO TOP TABLE(A) SECURE WITH NUTS (G), SPRING WASHER (I) AND WASHER (H) USING WRENCH.

## STEP 2



- ATTACH SUPPORT (D) ONTO EACH SIDE LEGS(C) AS SHOWN. SECURE WITH 1 1/2" SCREW(F) TIGHTEN ALL SCREW USING SCREWDRIVER.

## STEP 4



- MAKE SURE ALL PARTS ARE CORRECTLY COMPLETED AND TIGHTEN ALL BOLTS COMPLETELY USING SCREWDRIVER AND WRENCH..

**CONGRATULATION !**  
THE TABLE IS NOW READY FOR USE.

## **MAINTENANCE**

Due to teak wood's natural characteristics, wood color and grain variations may be present. This is a symbol of the originality of each unit and gives each finished piece a distinctive look and inherent charm.

### **Care Instruction :**

Teak wood, when left bare and unsanded, will naturally fade to a silver-gray color. This silver-gray color transformation does not in any way affect the durability of the furniture.

To maintain the smooth finish and golden brown color of your teak furniture, you will need to sand the furniture regularly. To prolong the period of time needed between sanding, teak oil may also be applied.

If you choose to apply teak oil, apply every 6 months, or follow the teak oil container directions. Again, if you choose to maintain the smooth brown finish of your teak furniture, this method requires some regular maintenance, such as sanding and reapplication of teak oil. Teak oil, along with sanding, will help maintain the golden brown color.

### **Staining :**

Please note, once you stain your teak, it will not return to the natural golden brown or weathered silver-gray color without sanding off the stain. Staining is intended to be permanent. If you choose to stain your furniture after it has turned silver-gray, you must first sand it before applying the stain.

**Do not leave your teak wood furniture in puddles of water or on wet ground.**

**Cover your teak wood furniture during winter months or move into covered storage, if in wet climates.**

**The manufacturer supports protection of the world's forest resources and is diligent in sourcing legally harvested wood.**

Thank you

The manufacturer

# 1 year Limited Warranty

The furniture is warranted to be free from defects in material and workmanship of the original product when purchased from one of our authorized dealers. If a product fails and is under the terms of our limited warranty, the item will be replaced, usually for a small fee. In the case of discontinued models, an item of similar quality and style will be offered to the customer.

- 1 year limited frame warranty  
Frames are warranted to be free from defects in material and workmanship. Fading or discoloring caused by putting the product under sunlight or rain is not covered by this limited warranty. Damage to the frame due to improper assembly or exposure to water and sub-freezing temperatures is not covered. ( Do NOT allow water to accumulate inside frame )
- Finish  
The finish is warranted against peeling, cracking, or blistering for a period of 1 year, provided the unit has not been scratched or abraded. Scratches and chips resulting from normal wear and use are not covered. Peeling resulting from exposure to elements is not covered.

Warranty Exclusions : Furniture used for commercial, contractor or any non-residential purposes, clearance items, display models or items purchased “as is”, freight damage, furniture damaged by acts of nature, vandalism, fire, abuse, lack of proper care and maintenance, or improper assembly, straps and fabric against fading or discoloration from exposure to elements, oil spills, fluids or chemicals; glass against breakage; hardware against corrosion or rusting; buckling or splitting of tubing resulting from exposure to water and freezing temperatures. Also excluded: loss of use or time, inconvenience, money, travel, packaging or any other consequential or incidental damages. In no event shall the manufacturer's responsibility exceed the value of the replacement product.

Warranty is to the original purchaser when items are purchased from one of our authorized retailers and is not transferable. All warranty claims must be submitted with a dated register receipt within the warranty period. Should replacement of the warranty item be unavailable, the manufacturer reserves the right to substitute items of our choice that are of similar style and quality. For quality control purposes and verification, we reserve the right to request photography of the damage item(s). The terms of this warranty are subject to change without notice.