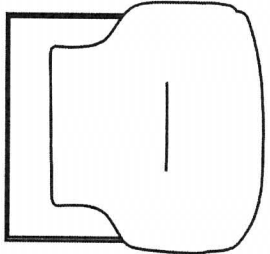


BT-7950-K1D

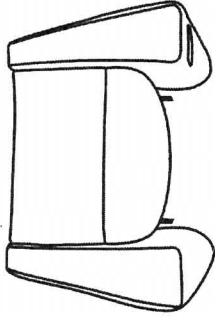
**BT-7950KD
PARTS**

ASSEMBLY INSTRUCTION

(1)X1



(2)X1



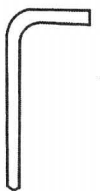
(3)X4



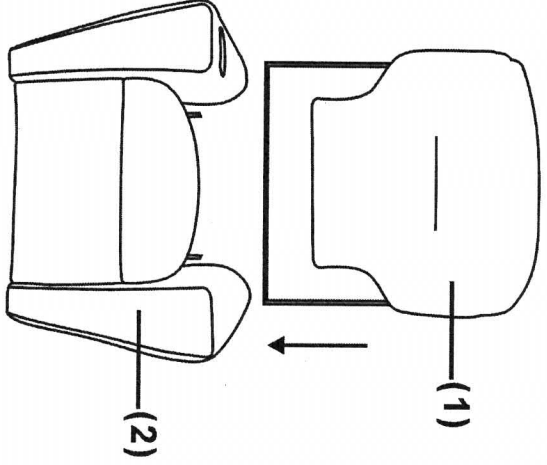
(4)X4



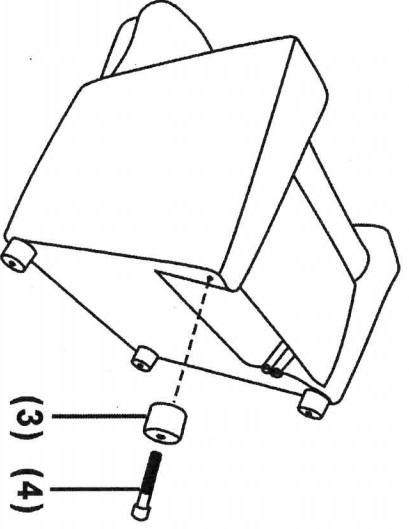
(5)X1



①



②



③

