



# INSTALLATION GUIDE

ST-03 | ST-07

LUXURY BASKET STRAINER

WATCH OUR VIDEO ON **YOUTUBE**

WARRANTY



Installation of Stylish® Sink  
Luxury Basket Strainer



For additional technical assistance or for any questions or concerns about your kitchen strainer's warranty, please contact us.

[www.stylishkb.com](http://www.stylishkb.com)

[care@stylishkb.com](mailto:care@stylishkb.com)

[www.stylishkb.com/warranty](http://www.stylishkb.com/warranty)

+1-855-789-5352

IF YOU HAVE PURCHASED A **LUXURY BASKET STRAINER**, PLEASE MAKE SURE TO READ THESE INSTRUCTIONS CAREFULLY

**1**

Labels: Strainer body, Sink, Foam

Place foam gasket and strainer body on the top side of drain opening. Alternatively Plumber's Putty could be used instead of foam gasket.

**2**

Labels: Rubber gasket, Outer gasket, Basket nut

From underneath bring outer basket with rubber gasket under the sink and secure with basket nut.

**3**

Tighten basket nut using channel locks or wrench.

**4**

Labels: Tail pipe, Tail pipe nut

Insert tail pipe with nut into home's plumbing, then align and secure tail pipe nut to strainer body.

**5**

Labels: Rubber gasket

Tighten tail pipe nut to strainer body, ensure the rubber gasket is present.

**6**

Labels: Lid, Basket

Run water and confirm no leaks.

## CARE AND CLEANING

1. Rinse the strainer with water.
2. Coat the strainer with baking soda, Flitz or Barkeepers friend.
3. With sponge, scrub strainer and all sink walls in the direction of the steel grain.
4. Spray on undiluted vinegar.
5. Rinse again.
6. Buff with a few drops of olive oil.
7. If necessary, repeat procedure.

Stylish International Inc.

Follow us on Instagram! Check out and let us know your comments [stylish.international.inc](https://www.instagram.com/stylish.international.inc)

REGARDEZ NOTRE VIDÉO SUR **YOUTUBE**

GARANTIE



Installation de la Crépine de Luxe d'évier de Stylish®




Pour obtenir une assistance technique supplémentaire ou pour toute question concernant la garantie de votre filtre de cuisine, veuillez nous contacter.

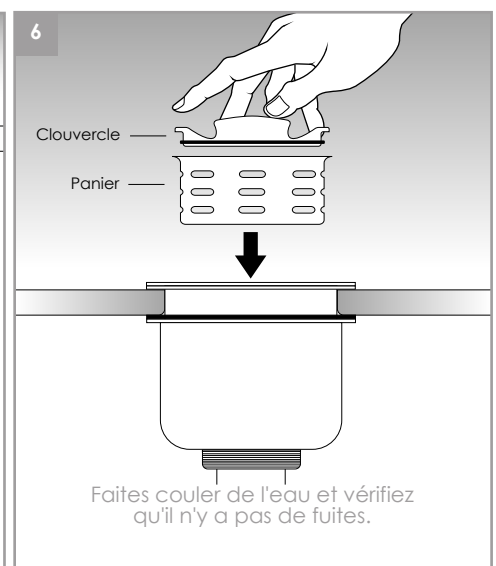
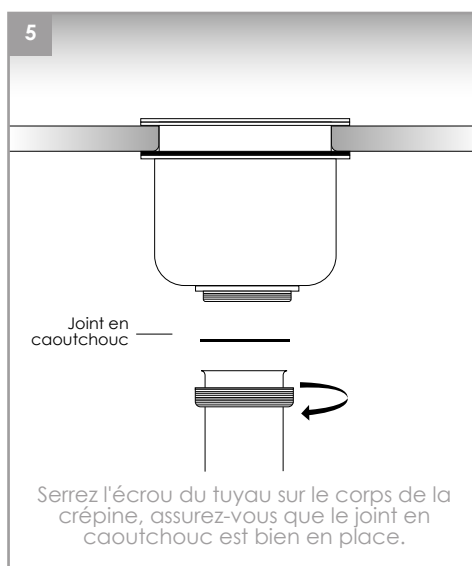
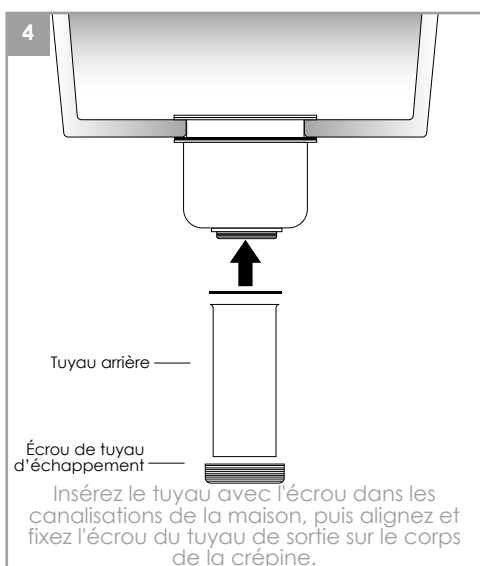
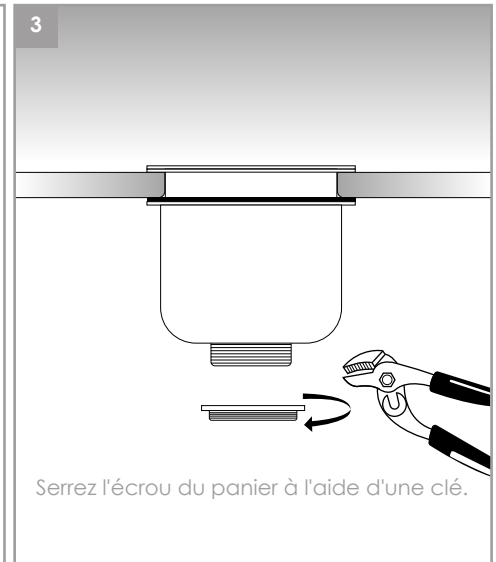
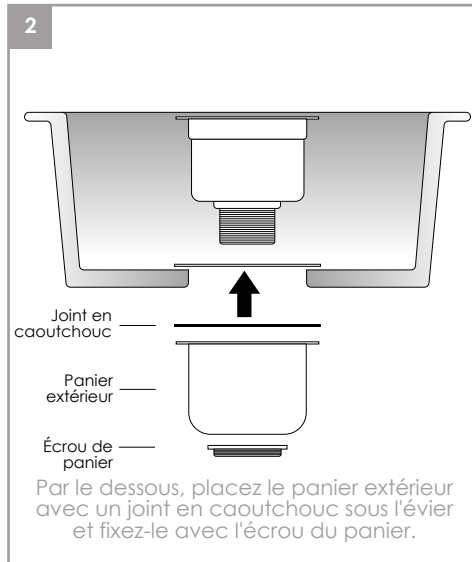
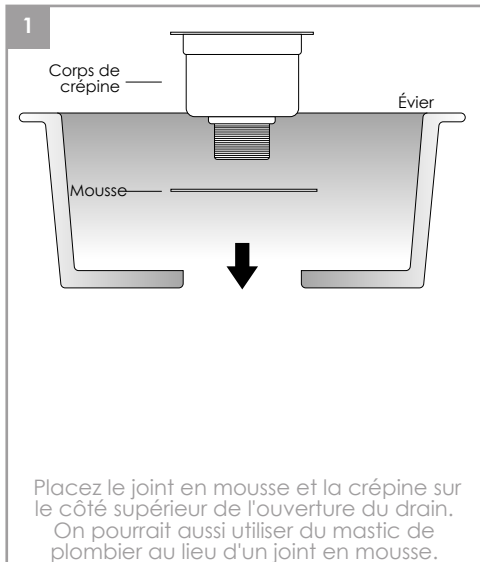
 [www.stylishkb.com](http://www.stylishkb.com)

 [care@stylishkb.com](mailto:care@stylishkb.com)

[www.stylishkb.com/warranty](http://www.stylishkb.com/warranty)

 +1-855-789-5352

SI VOUS AVEZ ACHÉTÉ UNE **CRÉPINE DE LUXE**, VEUILLEZ LIRE ATTENTIVEMENT CES INSTRUCTIONS.



#### ENTRETIEN ET NETTOYAGE

1. Rincez la crépine à l'eau.
2. Versez du bicarbonate de soude, du Flitz ou du Barkeepers friend dans la passoire.
3. Avec une éponge, frottez la crépine et toutes les parois de l'évier dans le sens du grain d'acier.
4. Vaporisez du vinaigre non dilué.
5. Rincez à nouveau.
6. Frottez avec quelques gouttes d'huile d'olive.
7. Si nécessaire, répétez la procédure.