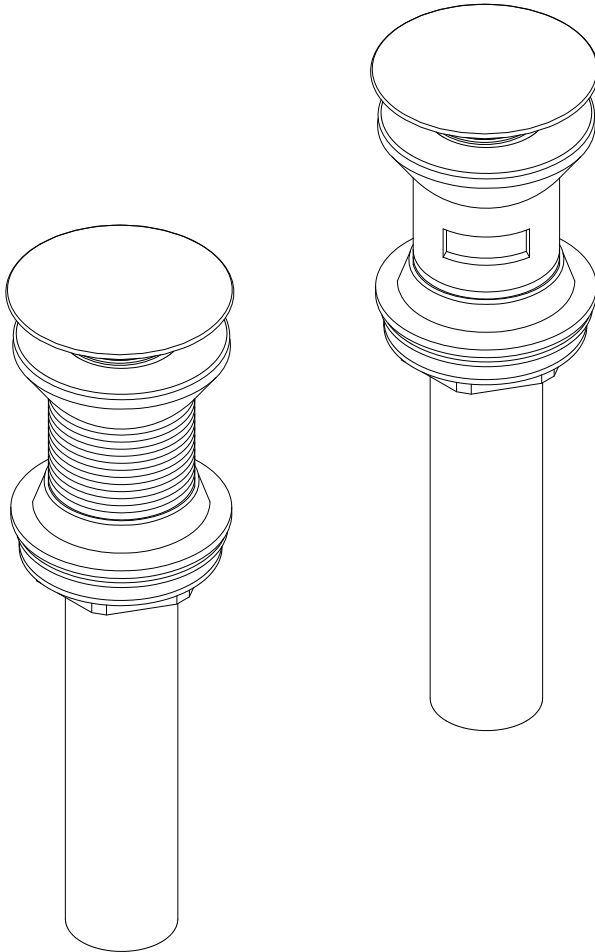


KINGSTON

KITCHEN & BATH



www.kingstonbrass.com

TOLL-FREE CUSTOMER SERVICE: 1-877-2-KBRASS

TECHNICAL SUPPORT E-mail: service@kingstonbrass.com

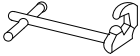
12775 Reservoir Street, Chino, CA 91710

KINGSTON

KITCHEN & BATH

INSTALLATION INSTRUCTIONS Push Drain with or without Overflow

Need Tools:



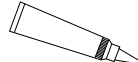
Basin Wrench



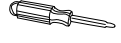
Adjustable Wrench



Teflon Tape



Silicone Sealant



Screwdriver

INSTALLATION:

1. Remove the lock nut (7), washer (6) and rubber gasket (5) from the drain body (3).
2. Insert the drain assembly (1)/(2)/(3)/(4)/(8) downwardly through the drain opening on the bottom of sink. So the tailpiece (8) and the outer threads of drain body (3) can go all the way through the drain opening and expose beneath the sink.
3. Adjust rubber gasket (4) to fit in the drain opening snugly. Make sure the taper-surface side of the rubber gasket (4) is downward.
4. Install rubber gasket (5), washer (6) and lock nut (7) upwardly onto the drain body (3) from the end of tailpiece (8). Make sure the taper-surface side of the rubber gasket (5) is upward.
5. Slowly tighten up the lock nut (7) with a wrench until the rubber gasket (5) can completely and tightly seal the drain opening beneath the sink.
6. Remove tailpiece (8) from drain body (3), apply Teflon tape on the thread of tailpiece (8). Then re-connect it with drain body (3).
7. Push the stopper (1) to the close position of the drain body (3), then turn on faucet to full fill water in the sink. Examine and make sure no water come out from the tailpiece (8).
8. Push the stopper (1) to the open position to drain water, examine to make sure no water leakage around the rubber gasket (5) or connection with tailpiece (8). If leakage found, adjust the rubber gasket (5) and re-tighten up the lock nut (7) or re-connect the tailpiece until no more leakage found.

