

PRODUCT SPECIFICATIONS

Elkay Avado Single Hole Kitchen Faucet with Pull-down Spray and Lever Handle. Faucet has a flow rate of 1.75 GPM, and is made of Brass material, with a Ceramic Disc valve. Faucet requires 1 faucet holes.

Mounting Type:	Deck Mount
Special Features:	Low Flow Solid Brass Construction
Spray Type:	Pull Down
Finish:	Brushed Nickel (NK), Chrome (CR)
Handle Type:	Lever Handle
Deck Clearance:	11-1/4"
Spout Reach:	7-7/8"
Spout Height:	18-7/8"
Hole Drillings:	1
Material:	Brass
Valve Type:	Ceramic Disc
Valve Connection:	3/8" Female Compression Hose Assembly
Flow Rate:	1.75 GPM
Faucet Hole Size (min):	1-1/2"
Countertop Thickness:	2-1/2"
Spout Swing Rotation:	360°
Spout Type:	Pull-down Spray
Spray Functions:	Aerated, Spray, Stainless Steel Braided Hand Spray Hose



AMERICAN PRIDE. A LIFETIME TRADITION.
Like your family, the Elkay family has values and traditions that endure. For almost a century, Elkay has been a family-owned and operated company, providing thousands of jobs that support our families and communities.

Product Compliance: ADA & ICC A117.1
ASME A112.18.1/CSA B125.1
NSF 61
NSF 372 (lead free)



Complies with ADA & ICC A117.1 accessibility requirements when installed according to the requirements outlined in these standards.

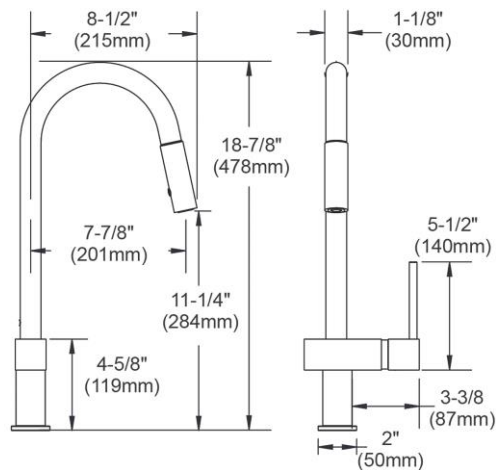
[Clean and Care Manual \(PDF\)](#)
[Installation Instructions \(PDF\)](#)
[Limited Lifetime Warranty \(PDF\)](#)

OPTIONAL ACCESSORIES

LKAV3054CR - Elkay 2-1/2" x 5" x 5-1/2" Soap / Lotion Dispenser, Chrome (CR)
LKAV3054NK - Elkay 2-1/2" x 5" x 5-1/2" Soap / Lotion Dispenser, Brushed Nickel (NK)



Brushed Nickel (NK) Chrome (CR)



PART: _____ QTY: _____

PROJECT: _____

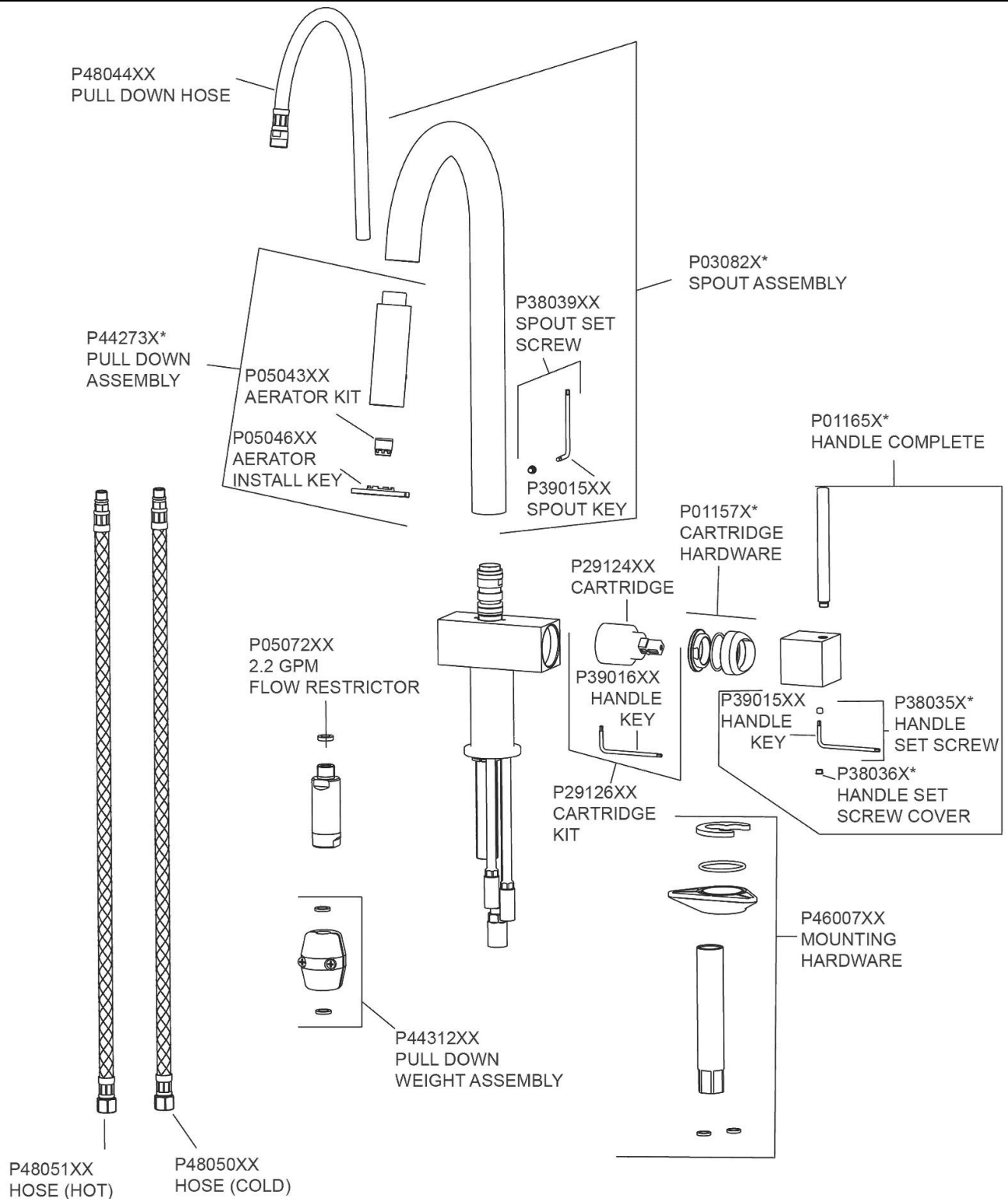
CONTACT: _____

DATE: _____

NOTES: _____

APPROVAL: _____

In keeping with our policy of continuing product improvement, Elkay reserves the right to change product specifications without notice. Please visit elkay.com for the most current version of Elkay product specification sheets. This specification describes an Elkay product with design, quality, and functional benefits to the user. When making a comparison of other producers' offerings, be certain these features are not overlooked.



In keeping with our policy of continuing product improvement, Elkay reserves the right to change product specifications without notice. Please visit elkay.com for the most current version of Elkay product specification sheets. This specification describes an Elkay product with design, quality, and functional benefits to the user. When making a comparison of other producers' offerings, be certain these features are not overlooked.