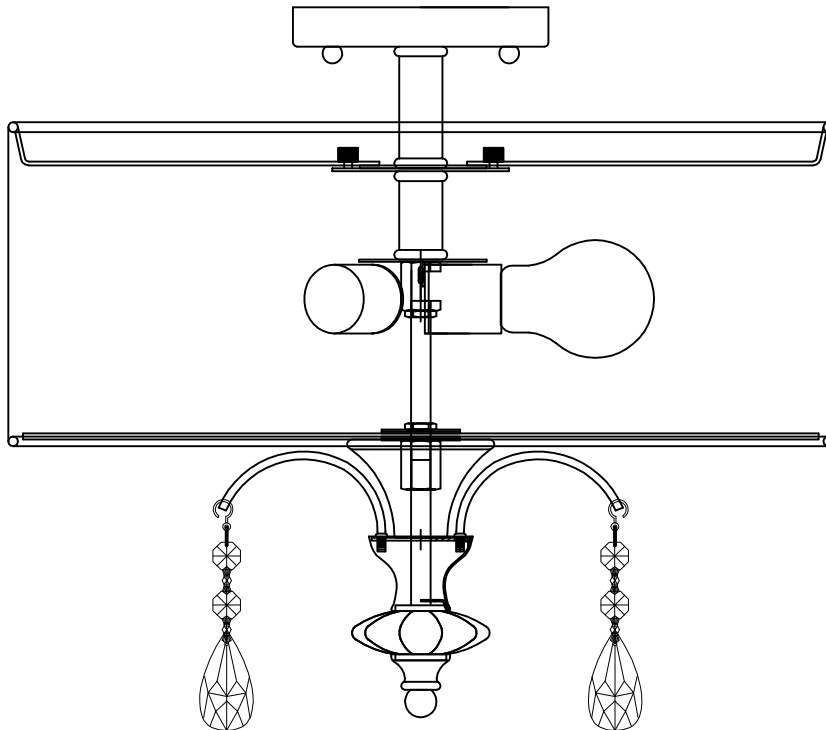




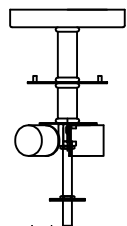
PRODUCT NAME: Montgomery
ITEM NUMBER: 24301

Please consult your electrician for Hang fixture and wiring.



Bulb(not included) :3*MB 75W

IMPORTANT: Turn off power at the main fuse or circuit breaker box before starting installation



(A) Body



(B) Cloth shade



(C) lock screw

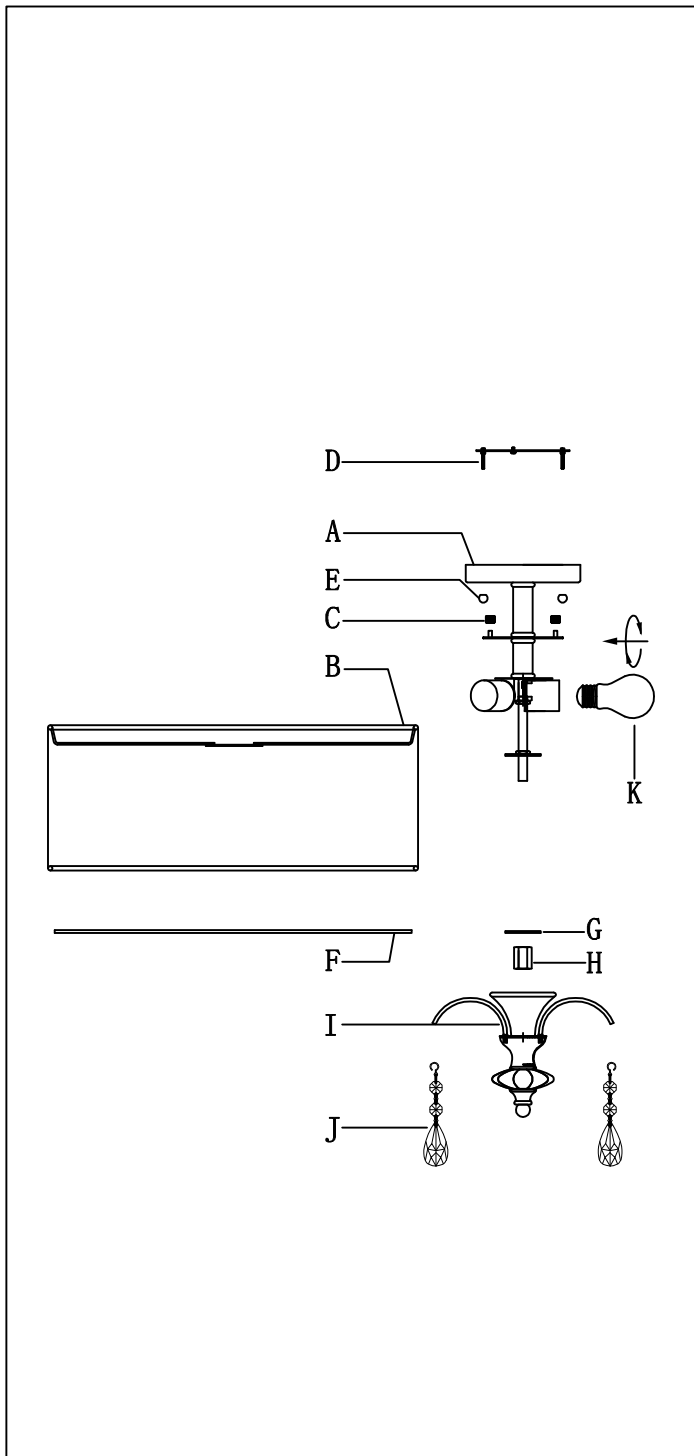


(D) Bracket

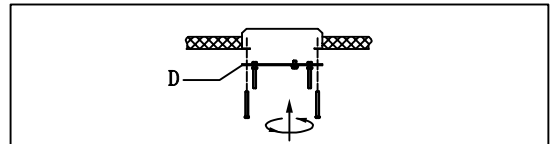


(E) Ball nut

Locate all hardware & components before discarding packaging

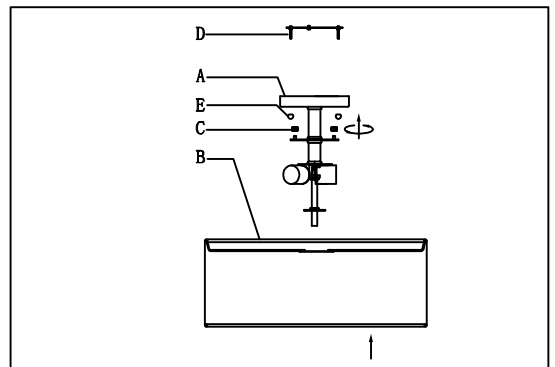


1.)



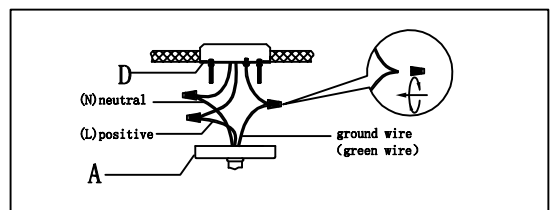
Step. 1: Remove mounting bracket(D) from fixture and install to electrical box.

2.)



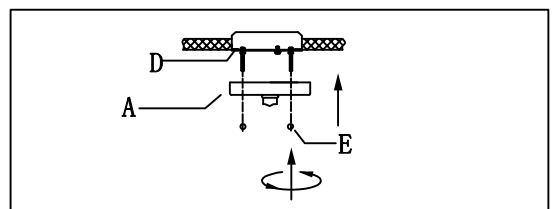
Step. 2: Hang the Cloth shade(B) on lamp body(A) and lock screw(C)

3.)



Step. 3: Wire fixture to wires in outlet box. Copper/Green wire is for Ground.

4.)

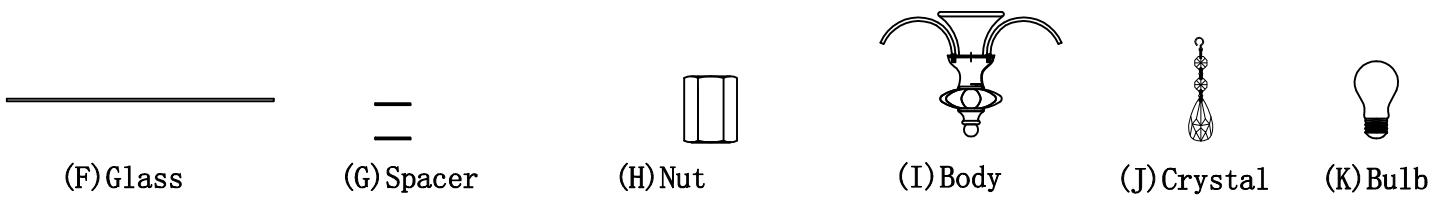


Step. 4: Install fixture to bracket and tighten ball nuts (E) on the canopy to secure.

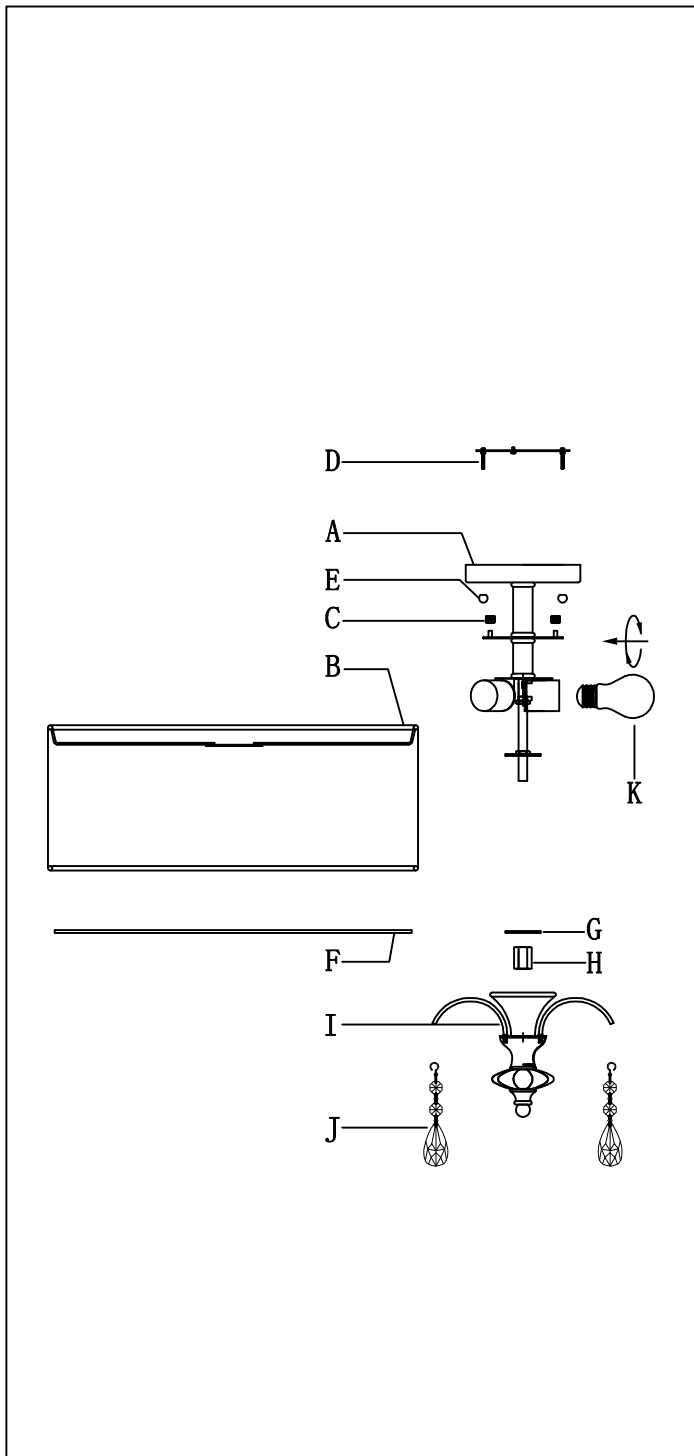
Cleaning & Care:

Clean with soft cloth and a mild detergent. Do not use abrasive cleaner.

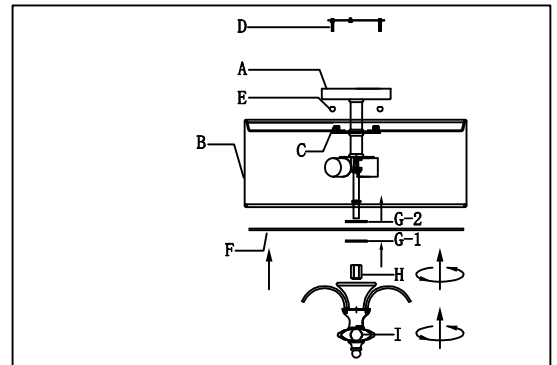
IMPORTANT: Turn off power at the main fuse or circuit breaker box before starting installation



Locate all hardware & components before discarding packaging

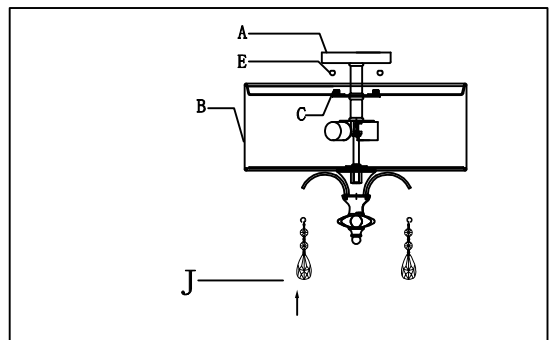


5.)



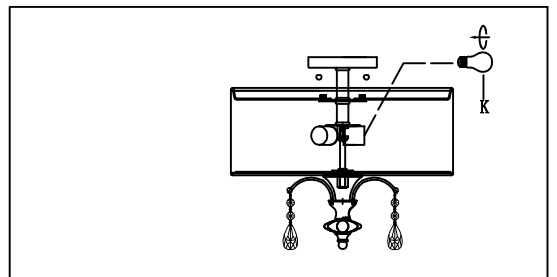
Step. 5: Secure the glass diffuser(F)with the washer and hexnut(G+H).
Attach the bottom assembly(I)

6.)



Step. 6: Hang the crystal(J)
on the bottom assembly(I)

7.)



Step. 7: Install the bulb

Cleaning & Care:

Clean with soft cloth and a mild detergent.
Do not use abrasive cleaner.