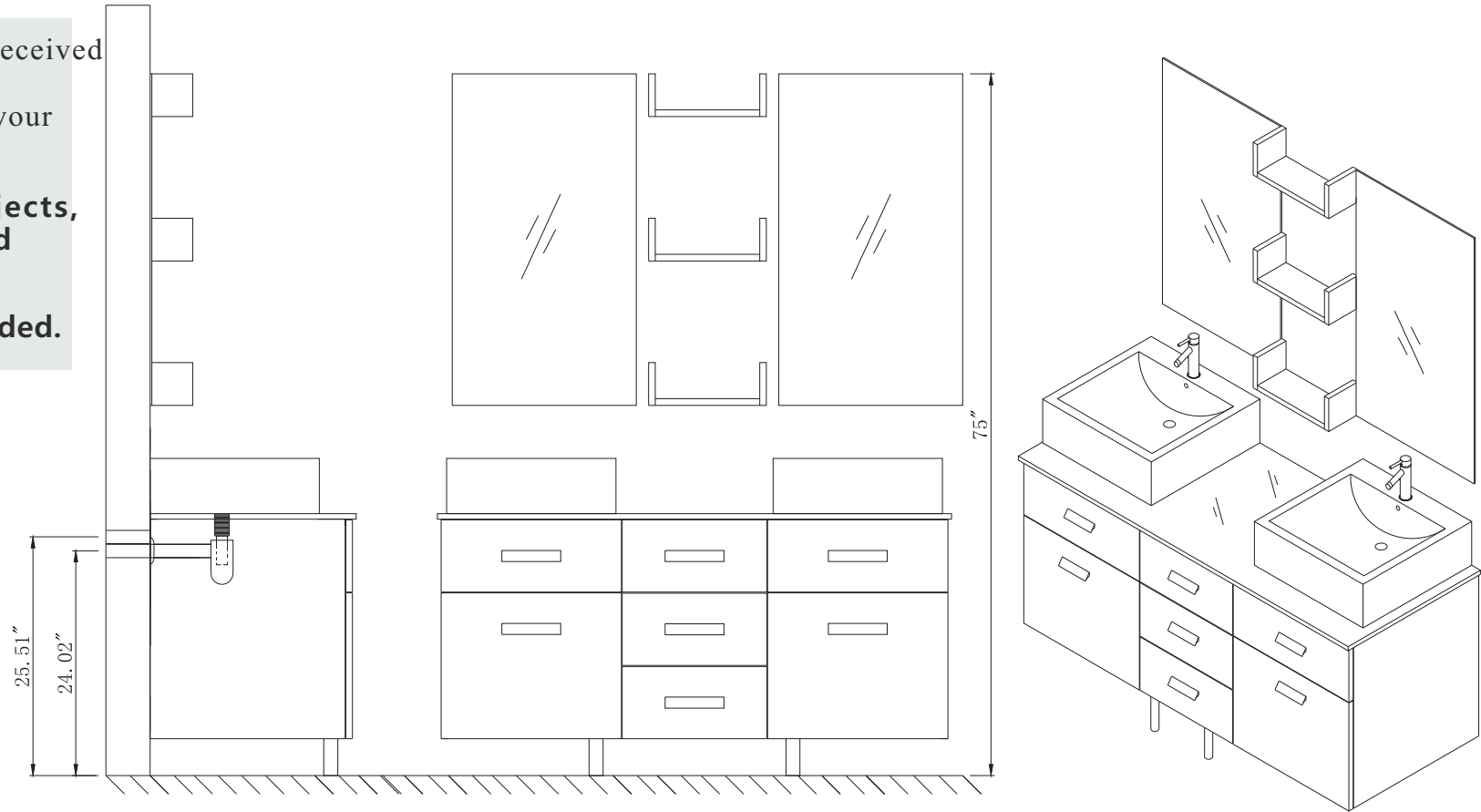
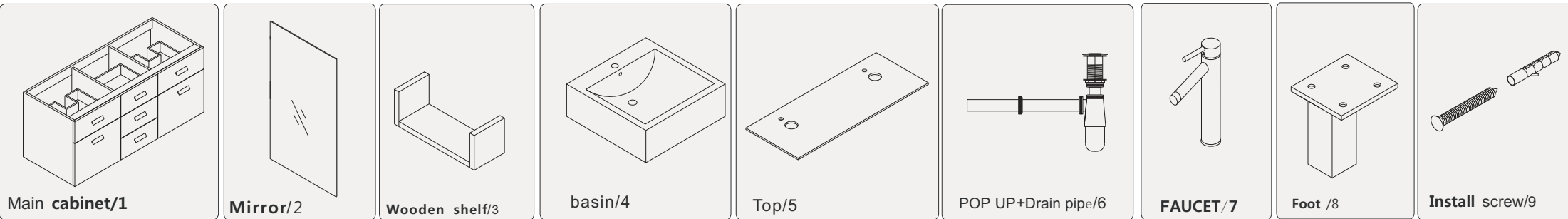


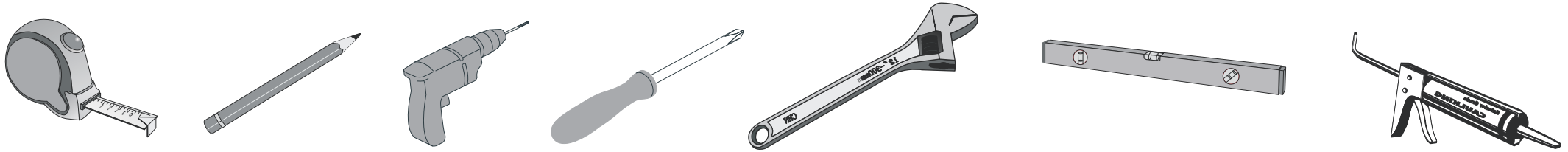
- Prior to **installation** please check received items **against** the **Packing List**  
Please report any **missing** items to your local dealer **immediately**.
- Protect all **surfaces** from sharp **objects**, high heat sources, direct **prolonged** sunlight and **chemical hazards**.
- **Professional** installation recommended.



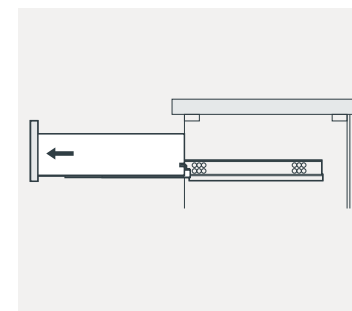
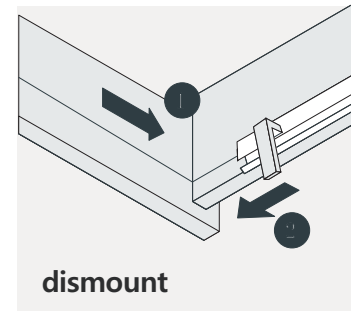
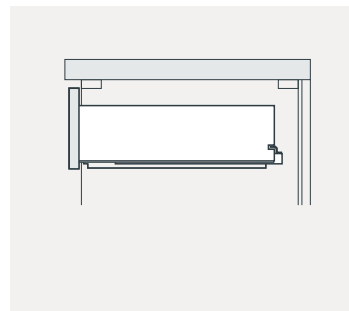
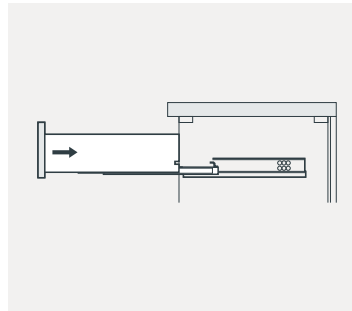
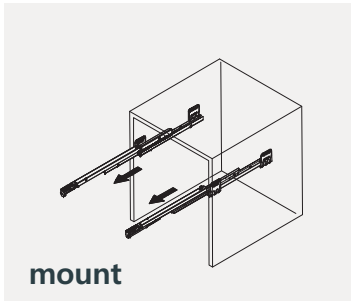
**PACKING LIST**



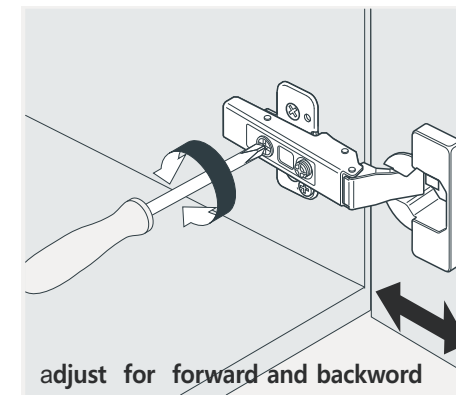
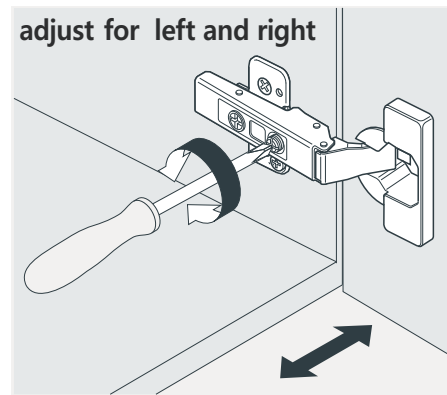
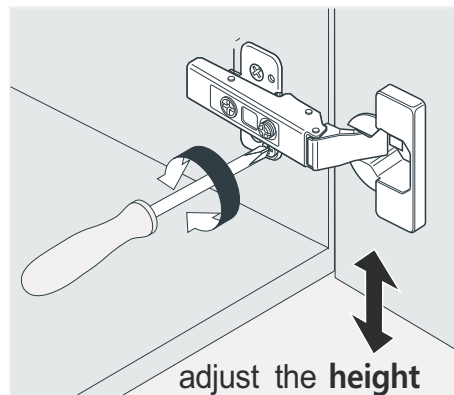
**REQUIRED TOOLS**



**DRAWER SLIDER ATTACHMENT AND DETACHMENT**

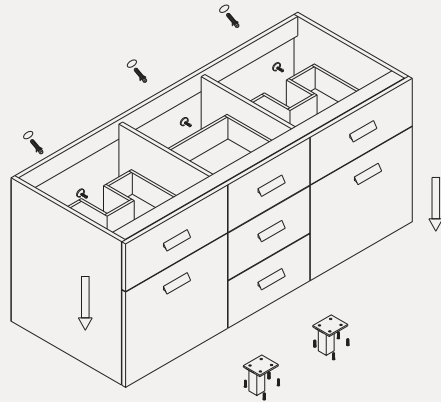


**INSTALLATION AND ADJUSTMENT OF HINGES**

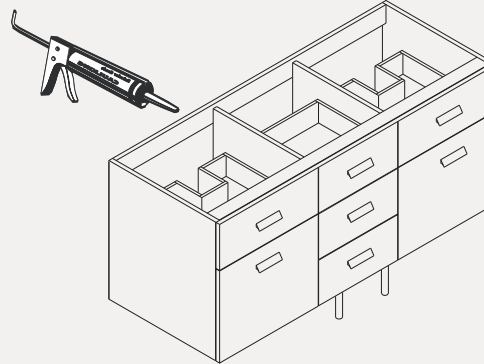


**INSTALLATION PROCESS**

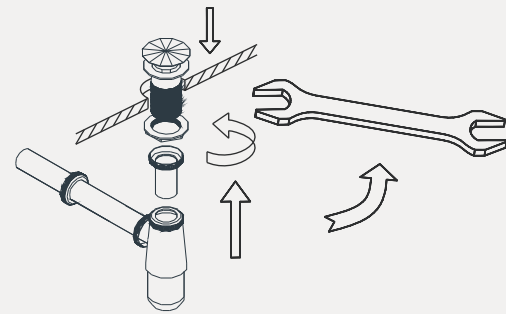
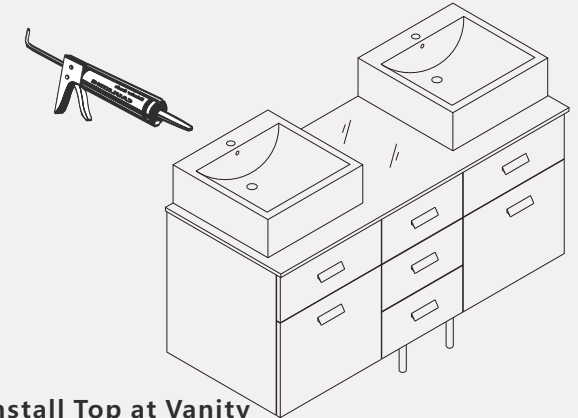
1.Install vanity



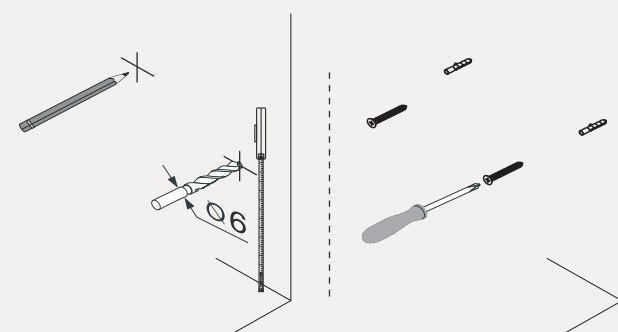
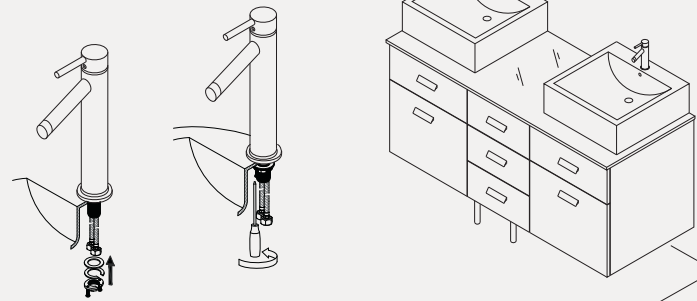
2. GLUE AT VANITY



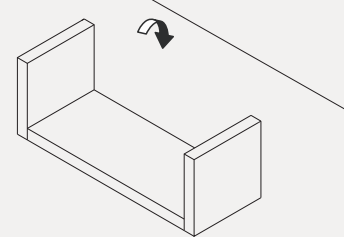
3. Install Top at Vanity



4:Install the pop up and faucet .



5:Install mirror



6:Install Wooden shelf

7: FINISHED FULL SET

