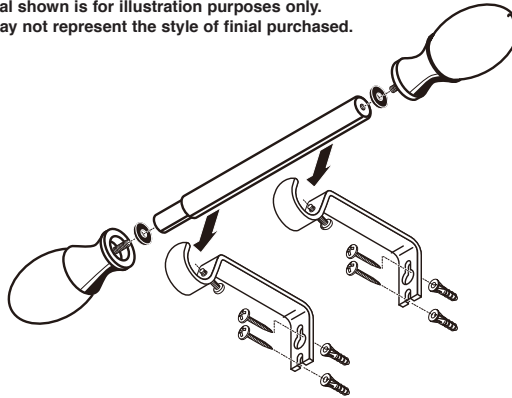


# ELRENE

HOME FASHIONS®

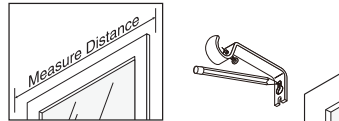
## ROD SETS INSTALLATION INSTRUCTIONS

**NOTE:** Finial shown is for illustration purposes only.  
It may not represent the style of finial purchased.



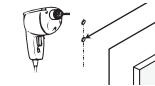
### STEP 1:

Place brackets against wall at desired locations.  
Mark screw holes with pencil. Be sure marks are  
level across opening.



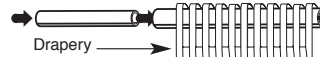
### STEP 2:

If screws are going directly into wood trim or wall studs, drill a 1/8" pilot  
hole at pencil marks. If screwing into drywall, follow instructions on  
enclosed sheet.



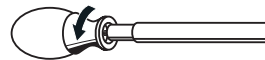
### STEP 3:

Assemble rod and slide drapery treatment  
onto rod.



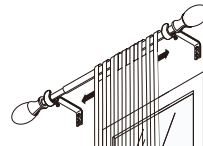
### STEP 4:

Screw finials onto rod. Rotate finial on rod for proper  
alignment if required.



### STEP 5:

Extend rod to desired width. Lift rod with drapery  
and drop into brackets. Adjust draperies to  
desired position.



### STEP 6:

Lock rods into position by tightening leveling  
screw by hand until finger tight. This will prevent  
the rod from moving.

