

# Maykke

[www.maykke.com](http://www.maykke.com)

## **Installation and Warranty Guide**



Wall Mirror

**NOTICE:** Do not change or modify the product in any way. Doing so may compromise the products structural integrity and will void the warranty.

**NOTICE:** Installation instructions must be followed. Any diversions from the installations instructions may risk property damage and will void the warranty.

### **IMPORTANT:**

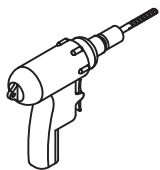
Observe all state and local building codes.

### **WARNING:**

Anchors are only to be used when installing into drywall. If you are installing into a wood beam do not use the anchors. If you are installing on ceramic tiles or any surface other than drywall, please consult your local home improvement store.

## **PRE-INSTALLATION**

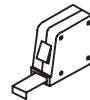
### Tools Required



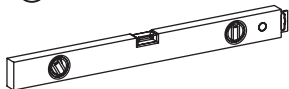
Drill



Safety goggles



Tape measure



Level



Pencil

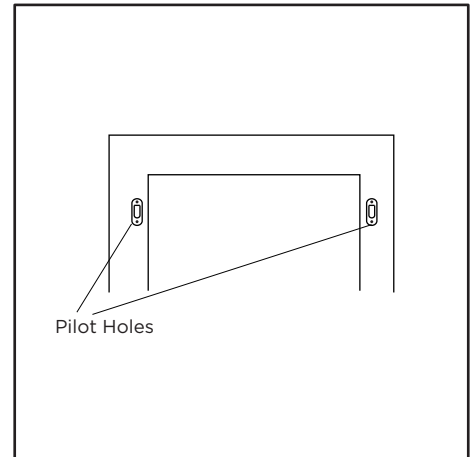
## **MATERIALS NEEDED**

1. 2 x 4" cut to size (For Larger Sizes)
2. Tapping Type: M4 x 35 = 2 pcs (Customers are required to buy the products themselves)

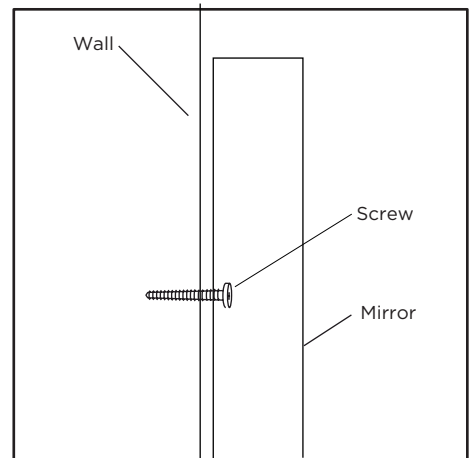


4. Make sure screw in the screws at the marked location.  
Allow about 1/8" clearance from screw head to wall.

**Note:** fasten the screws into the anchor.  
Secure the anchors in the wall.



5. Line up the keyhole hardware on the back of the mirror to the screws on the wall, and allow the mirror to sit in place.



For warranty information please check [www.maykke.com](http://www.maykke.com)

For customer service concerns or support please email: [support@maykke.com](mailto:support@maykke.com)