

### SPECIFICATIONS



#### Features/Benefits

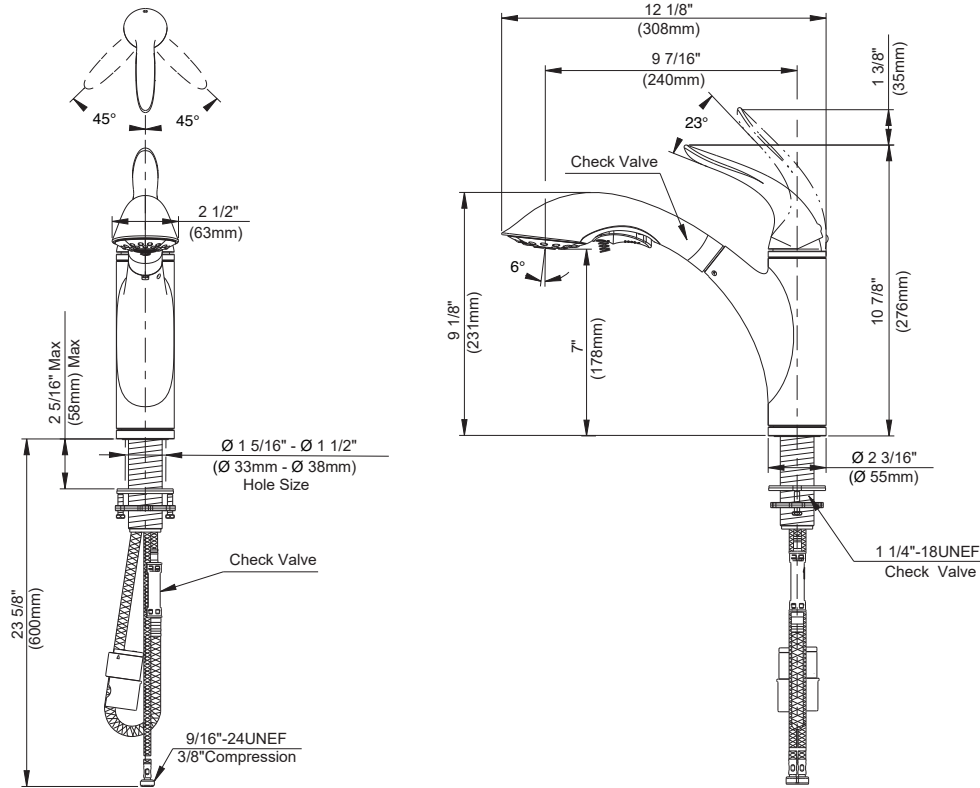
- 9 1/8" Spout Height, 9 7/16" Spout Reach
- 1.75 gpm (6.6 L/min) Max Aeration / 2.2 gpm (8.3 L/min) Max Spray @ 60 psi
- 2 Function Spray/Aerated Stream
- Ceramic Disc Cartridge
- 120 Degree Swivel Spout
- Single Hole Installation
- Optional Deck Plate, DA665051, Sold Separately
- Optional Temperature Indicator Included

#### Available Color/Finishes

Chrome

Please see [gerber-us.com](http://gerber-us.com) or current price list for available finishes. Finish is defined by additional suffix.

#### Standards & Certifications



#### Submittal Information:

Name: \_\_\_\_\_  
Location: \_\_\_\_\_

Contractor: \_\_\_\_\_  
Contact #: \_\_\_\_\_