



Parker House
FURNITURE

Assembly Instruction

Item No: DSUN#2018-SS

Description : Dining Chair Grid Back (2/CTN Sold in pairs)

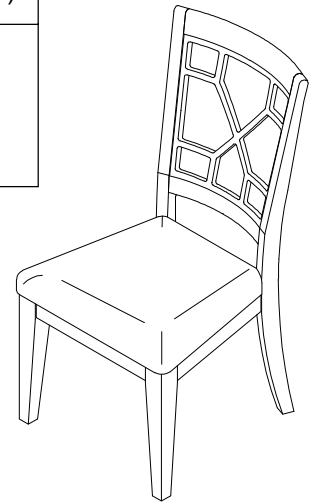
2022-06-07

HARDWARE LIST (X2)

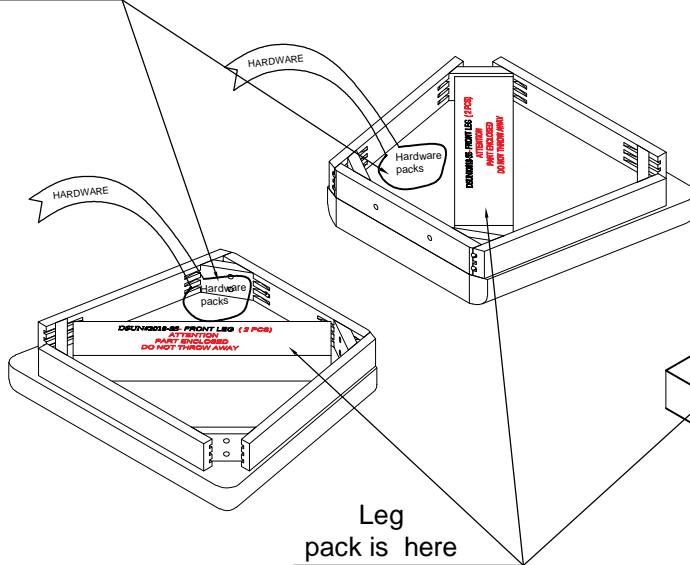
No	Description	Sketch	Q'TY
A	Allen Wrench 4mm		1PC
B	Bolt Ø1/4"x1-1/2"(40mm)		2PCS
C	Bolt Ø1/4"x2-1/2"(60mm)		4PCS
D	Bolt Ø1/4"x3"(75mm)		4PCS
E	Lock Washer Ø1/4"		10PCS
F	Flat Washer Ø1/4"x3/4"		10PCS

PARTS LIST (X2)

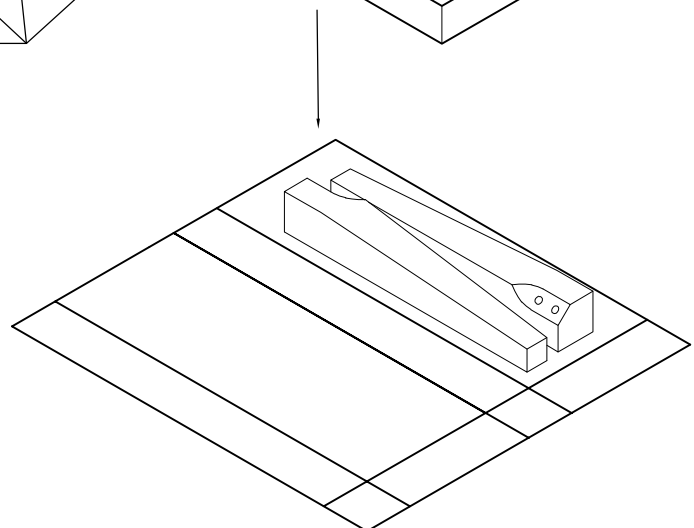
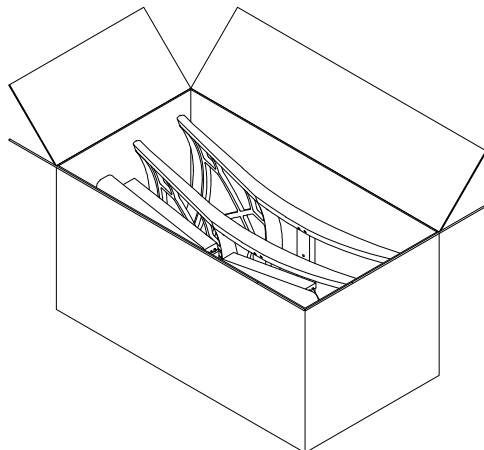
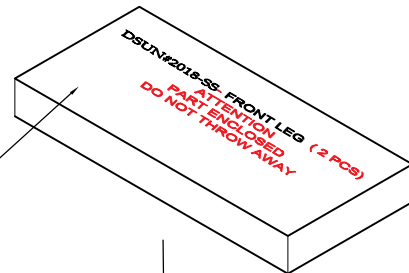
BACK FRAME (1PC)	SEAT FRAME (1PC)
①	②
FRONT LEG (2 PCS)	
③	



Hardware pack is screwed here



Leg pack is here





Parker House
FURNITURE

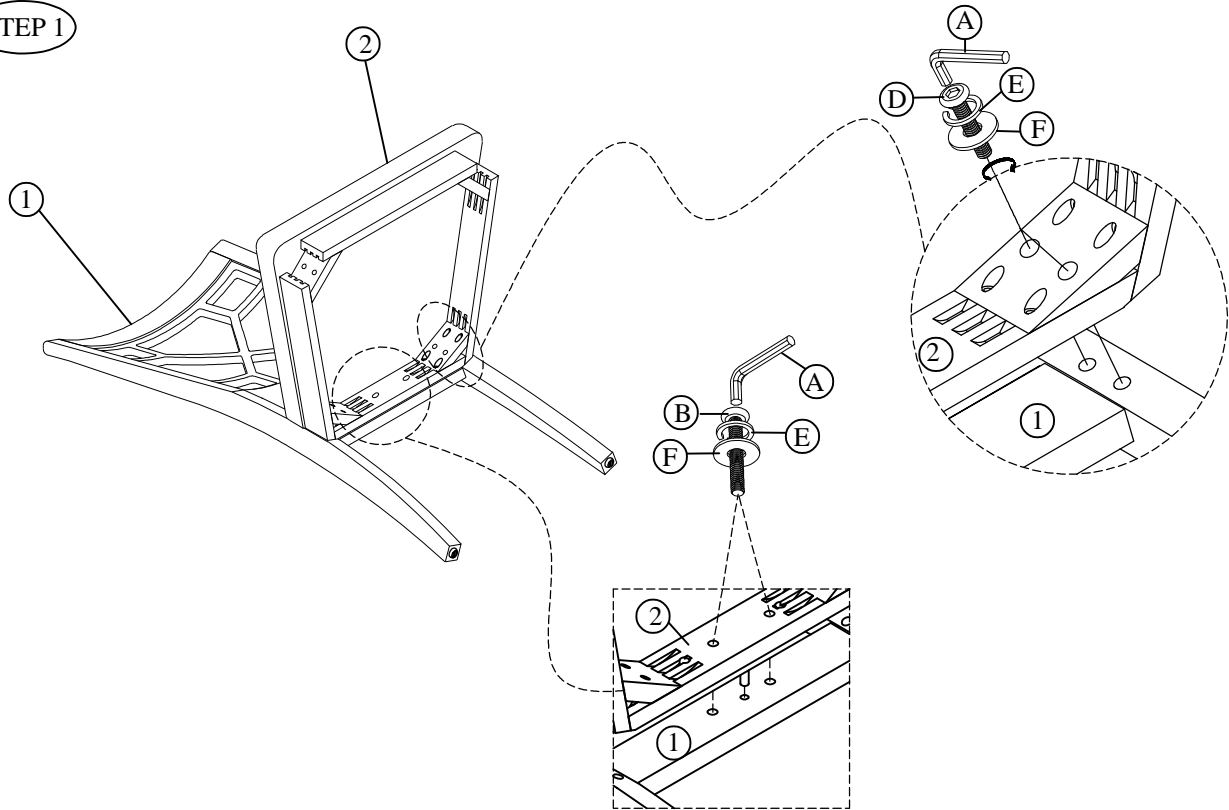
Assembly Instruction

Item No: DSUN#2018-SS

Description : Dining Chair Grid Back (2/CTN Sold in pairs)

2022-06-07

STEP 1



STEP 2

