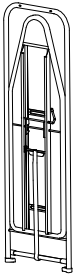
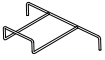
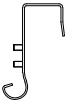

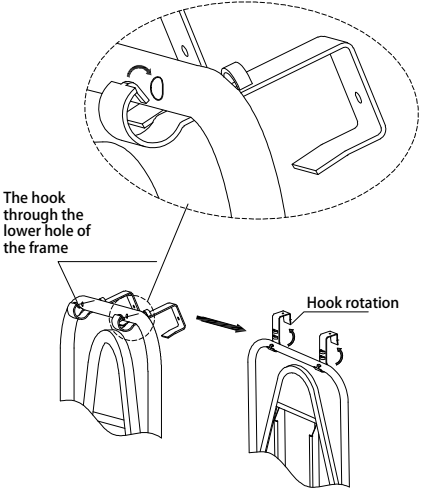
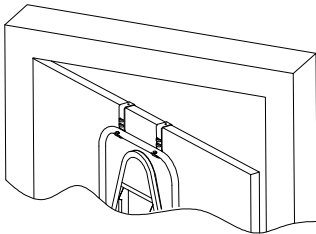
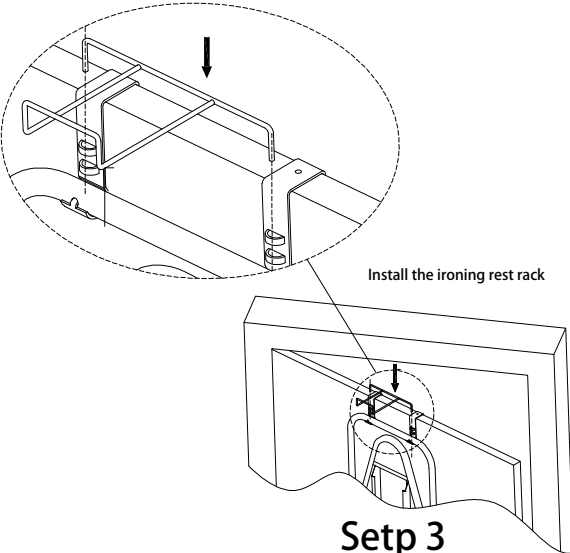
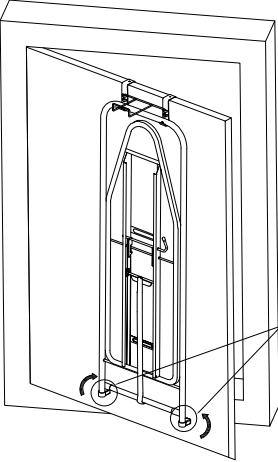
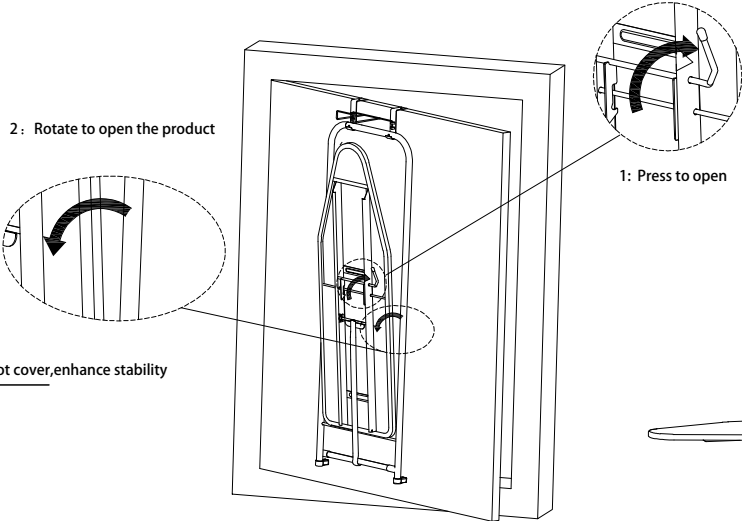
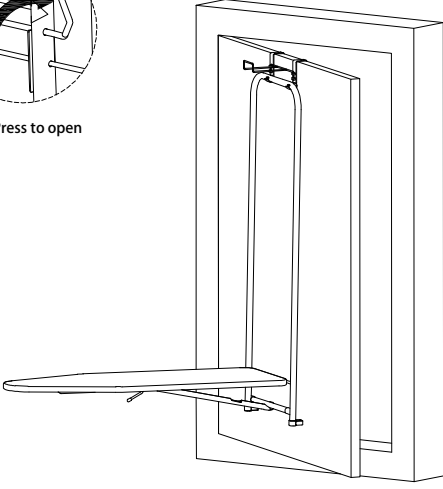


Over-the-Door Ironing Board

HH144222/HH144336/HH144440-1/HE1150

Assembly Instruction

Parts	Assembly
<p>Ironing board</p>  <p>X1</p> <p>Ironing rest rack</p>  <p>X1</p> <p>Small hook</p>  <p>X2</p> <p>Big hook</p>  <p>X2</p> <p>Two sets of hooks are available for selection. Please choose a matching set of hooks according to the size of the door. And the other set of hooks that are not suitable do not need to be used.</p> <p>Small hook: Length : 4.13 inch Internal width : 1.42 inch Thickness : 0.157 inch</p> <p>Big hook: Length : 4.13 inch Internal width : 1.85 inch Thickness : 0.157 inch</p>	<div style="display: flex; justify-content: space-around;"> <div style="text-align: center;">  <p>The hook through the lower hole of the frame</p> <p>Hook rotation</p> <p>Step 1</p> </div> <div style="text-align: center;">  <p>Hanging on the door</p> <p>Step 2</p> </div> <div style="text-align: center;">  <p>Install the ironing rest rack</p> <p>Step 3</p> </div> </div> <hr/> <div style="display: flex; justify-content: space-around;"> <div style="text-align: center;">  <p>Rotating foot cover, enhance stability</p> <p>Step 4</p> </div> <div style="text-align: center;">  <p>2: Rotate to open the product</p> <p>1: Press to open</p> <p>Step 5</p> </div> <div style="text-align: center;">  <p>Assembled</p> <p>Step 6</p> </div> </div>