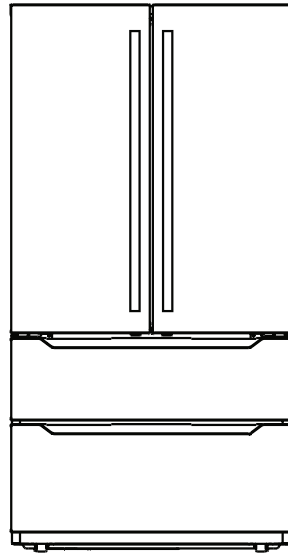
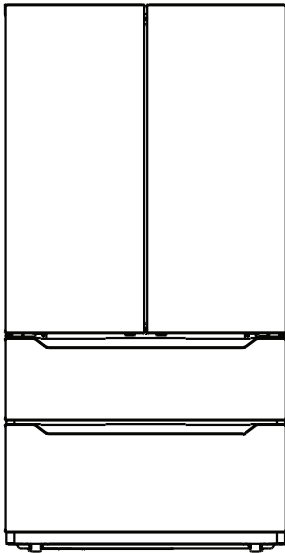




REFRIGERATOR

COS-FDR225 SERIES



FRENCH DOOR REFRIGERATOR

OWNER'S MANUAL

IMPORTANT: READ AND SAVE THESE INSTRUCTIONS.
FOR RESIDENTIAL USE ONLY.

INSTALLER: PLEASE LEAVE THESE INSTRUCTIONS WITH THIS UNIT FOR
THE OWNER.

OWNER: PLEASE RETAIN THESE INSTRUCTIONS FOR FUTURE
REFERENCE.

THANK YOU FOR YOUR PURCHASE

Thank you for your purchase. We know that you have many brands and products to choose from and we are honored to know that you have decided to take one of our products into your home and hope that you enjoy it.

COSMO Appliances are designed according to the strictest safety and performance standard for the North American market. We follow the most advanced manufacturing philosophy. Each appliance leaves the factory after thorough quality inspection and testing. Our distributors and our service partners are ready to answer any questions you may have regarding how to install, use and care for your products. We hope that this manual will help you learn to use the product in the safest and most effective manner.

Before using this product, please read through this manual carefully. Keep this user manual in a safe place for future reference. Please ensure that other persons using this product are familiar with these instructions as well.

If you have any questions or concerns, please contact the dealer from whom you purchased the product, or contact our Customer Support at:

1-888-784-3108

Reach us online at:

www.cosmoappliances.com

TABLE OF CONTENTS

REFRIGERATOR SAFETY	4
Important Safety Instructions	5
PRODUCT DIMENSIONS	10
INSTALLATION INSTRUCTIONS	11
Before Installing	11
Preparation	11
Attaching Refrigerator Door Handles	14
Connecting to the House Water Line	16
Completing Installation	20
Level the Refrigerator	20
Level the Refrigerator Doors.....	21
OPERATION	22
Before Use	22
Energy Saving Tips.....	23
Placement / Relocation.....	24
Interior Overview.....	25
Control Panel	27
Control Buttons.....	27
Display.....	29
Error Codes.....	29
MAINTENANCE & CARE	30
General Cleaning.....	30
TROUBLESHOOTING	34
PRODUCT SPECIFICATIONS	44
LIMITED WARRANTY	45

REFRIGERATOR SAFETY

READ ALL INSTRUCTIONS BEFORE USING THE APPLIANCE

Your safety and the safety of others are very important.

We have provided many important safety messages in this manual and on your appliance. Always read and obey all safety messages.



This is the safety alert symbol.

This symbol alerts you to potential hazards that can kill or hurt you and others.

All safety messages will follow the safety alert symbol and either the word "WARNING" or "CAUTION." These words mean:



You can be killed or seriously injured if you don't follow instructions.



A potentially hazardous situation which, if not avoided, could result in minor or moderate injury.

All safety messages will tell you what the potential hazard is, tell you how to reduce the chance of injury, and tell you what can happen if the instructions are not followed.

California Proposition 65 Warning

 **WARNING:**

Cancer and Reproductive Harm - www.P65Warnings.ca.gov.

IMPORTANT SAFETY INSTRUCTIONS

WARNING

To reduce the risk of fire, explosion, electric shock, or injury when using your refrigerator, follow these basic safety precautions:

- This refrigerator must be properly installed and located in accordance with the installation instructions before it is used.
- Unplug the refrigerator before making repairs or cleaning.
NOTE: Power to the refrigerator cannot be disconnected by any setting on the control panel.
NOTE: Repairs must be performed by a qualified service professional.
- Replace all parts and panels before operating.
- Do not use an extension cord.
- Do not store or use gasoline or other flammable vapors and liquids in the vicinity of this or any other appliance.
- Do not store explosive substances such as aerosol cans with a flammable propellant in this appliance.
- To prevent suffocation and entrapment hazards to children, remove the fresh food and freezer doors from any refrigerator before disposing of it or discontinuing its use.
- To avoid serious injury or death, children should not stand on, or play in or with the appliance.
- Children and persons with reduced physical, sensory or mental capabilities or lack of experience and knowledge can use this appliance only if they are supervised or have been given instructions on safe use and understand the hazards involved.
- This appliance is intended to be used in household and similar applications such as: staff kitchen areas in shops, offices and other working environments; farm houses; by clients in hotels, motels, bed & breakfast and other residential environments; catering and similar non-retail applications.
- Do not apply harsh cleaners to the refrigerator. Certain cleaners will damage plastic which may cause parts such as the door or door handles to detach unexpectedly.
- Connect to potable water supply only. A cold water supply is required for automatic icemaker operation. The water pressure must be between 21 and 121 psi (147-834 kilo-Pascals).

READ AND SAVE THESE INSTRUCTIONS

IMPORTANT SAFETY INSTRUCTIONS

CAUTION

To reduce the risk of injury when using your refrigerator, follow these basic safety precautions:

- Do not clean glass shelves or covers with warm water when they are cold. Glass shelves and covers may break if exposed to sudden temperature changes or impact, such as bumping or dropping. Tempered glass is designed to shatter into many small pieces if it breaks.
- Keep fingers out of the "pinch point" areas; clearances between the doors and between the doors and cabinet are necessarily small. Be careful closing doors when children are in the area.
- Do not touch the cold surfaces in the freezer compartment when hands are damp or wet, skin may stick to these extremely cold surfaces.
- Do not refreeze frozen foods which have thawed completely.
- In refrigerators with automatic icemakers, avoid contact with the moving parts of the ejector mechanism, or with the heating element that releases the cubes. Do not place fingers or hands on the automatic ice making mechanism while the refrigerator is plugged in.

INSTALLATION

WARNING



FIRE AND EXPLOSION HAZARD

Keep flammable materials and vapors, such as gasoline, away from refrigerator. Failure to do so can result in fire, explosion, or death.

READ AND SAVE THESE INSTRUCTIONS

IMPORTANT SAFETY INSTRUCTIONS

CONNECTING ELECTRICITY



WARNING



ELECTRICAL SHOCK HAZARD

Plug into a grounded 3-prong outlet.

Do not remove the ground prong.

Do not use an adapter or an extension cord.

Failure to do so can result in death, fire, or electrical shock.

Do not, under any circumstances, cut or remove the third (ground) prong from the power cord. For personal safety, this appliance must be properly grounded.

- The power cord of this appliance is equipped with a 3-prong (grounding) plug which mates with a standard 3-prong (grounding) wall outlet to minimize the possibility of electric shock hazard from this appliance.
- Have the wall outlet and circuit checked by a qualified electrician to make sure the outlet is properly grounded.
- Where a standard 2-prong wall outlet is encountered, it is your personal responsibility and obligation to have it replaced with a properly grounded 3-prong wall outlet.
- The refrigerator should always be plugged into its own individual electrical outlet which has a voltage rating that matches the rating plate.
- A 115 Volt AC, 60 Hz, 15- or 20-Amp fused, grounded electrical supply is required. This provides the best performance and also prevents overloading house wiring circuits which could cause a fire hazard from overheated wires.
- Never unplug your refrigerator by pulling on the power cord. Always grip plug firmly and pull straight out from the outlet.
- Immediately discontinue use of a damaged supply cord. If the supply cord is damaged, it must be replaced by a qualified service professional with an authorized service part from the manufacturer.
- When moving the refrigerator away from the wall, be careful not to roll over or damage the power cord.

READ AND SAVE THESE INSTRUCTIONS

IMPORTANT SAFETY INSTRUCTIONS

PROPER DISPOSAL OF YOUR OLD REFRIGERATOR

WARNING

SUFFOCATION AND ENTRAPMENT HAZARD

Failure to follow these disposal instructions can result in death or serious injury.

IMPORTANT: Child entrapment and suffocation are not problems of the past. Junked or abandoned refrigerators are still dangerous even if they will sit for "just a few days." If you are getting rid of your old refrigerator, please follow the instructions below to help prevent accidents.

Before You Throw Away Your Old Appliance

- Take off the fresh food and freezer doors.
- Leave the shelves in place so that children may not easily climb inside.

WARNING

REFRIGERANT AND FOAM DISPOSAL

Dispose of appliance in accordance with Federal and Local Regulations. Flammable insulation material used requires special disposal of your appliance. Contact your local authorities for the environmentally safe disposal of your appliance.

READ AND SAVE THESE INSTRUCTIONS

IMPORTANT SAFETY INSTRUCTIONS

FLAMMABLE REFRIGERANT

Check the rating label for refrigerant type. If R600a, follow the warning instructions below.

WARNING



FIRE OR EXPLOSION HAZARD

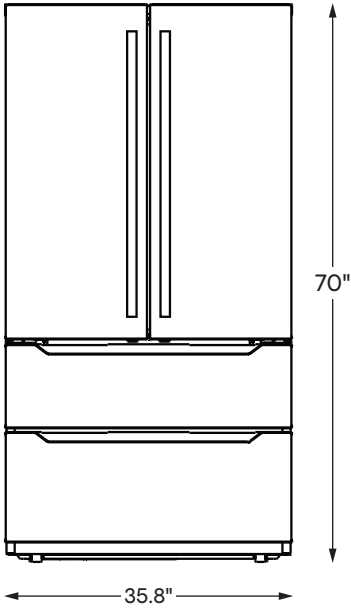
This appliance contains isobutane refrigerant, also known as R600a, a natural gas with high environmental compatibility. However, it is also combustible. Adhere to the warnings below to reduce the risk of injury or property damage.

- | | |
|--|--|
| <ul style="list-style-type: none">• When handling, installing and operating the appliance, care should be taken to avoid damage to the refrigerant tubing.• Service shall only be performed by authorized service personnel. Use only manufacturer-authorized service parts.• Dispose of refrigerator in accordance with the Federal and Local Regulations. The flammable refrigerant and insulation material used in this product require special disposal procedures. Contact your local authorities for the environmentally safe disposal of your refrigerator. | <ul style="list-style-type: none">• Keep ventilation openings in the appliance enclosures or in the built-in structure clear of obstruction.• To remove frost, scrape with a plastic or wood spatula or scraper. Do not use an ice pick or a metal or sharp-edged instrument as it may puncture the freezer liner and then the flammable refrigerant tubing behind it.• Do not use electrical appliances inside the food storage compartment of the appliance.• Do not use any electrical device to defrost your freezer. |
|--|--|

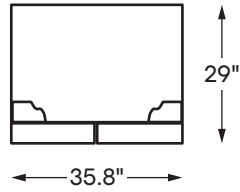
READ AND SAVE THESE INSTRUCTIONS

PRODUCT DIMENSIONS

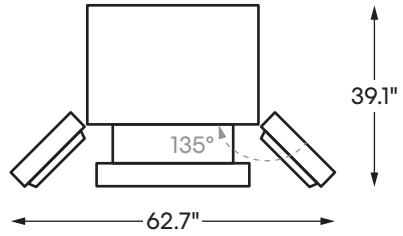
FRONT VIEW



TOP VIEW (DOORS CLOSED)



TOP VIEW (DOORS OPENED)



INSTALLATION INSTRUCTIONS

BEFORE INSTALLING

Read these instructions completely and carefully.

- **IMPORTANT:** Observe all governing codes and ordinances. Save these instructions for local inspector's use.
- **Note to Installer** – Be sure to leave these instructions with the Consumer.
- **Note to Consumer** – Keep these instructions for future reference.
- **Skill level** – Installation of this appliance requires basic mechanical skills.
- **Completion time** – Refrigerator Installation: 20 minutes
Water Line Installation: 30 minutes
- Proper installation is the responsibility of the installer.
- Product failure due to improper installation is not covered under the Warranty.

PREPARATION

UNPACK THE REFRIGERATOR

WARNING EXCESSIVE WEIGHT HAZARD

- Use two or more people to move and install the refrigerator. Failure to do so can result in back injury or other injury.
- The refrigerator is heavy. Protect the floor when moving the refrigerator for cleaning or service. Always pull the refrigerator straight out when moving it. Do not wiggle or walk the refrigerator when trying to move it, as floor damage could occur.
- Keep flammable materials and vapors, such as gasoline, away from the refrigerator. Failure to do so can result in fire, explosion, or death.

NOTE:

- Remove tape and any temporary labels from your refrigerator before using. Do not remove any warning labels, the model and serial number label, or the rating label.
- To remove any remaining tape or glue, rub the area briskly with your thumb. Tape or glue residue can also be easily removed by rubbing a small amount of liquid dish soap over the adhesive with your fingers. Wipe with warm water and dry.
- Do not use sharp instruments, rubbing alcohol, flammable fluids, or abrasive cleaners to remove tape or glue. These products can damage the surface of your refrigerator.
- Reinstall or adjust shelves as needed. Refrigerator shelves are installed in the shipping position. Reinstall shelves according to your individual storage needs.

WATER SUPPLY TO THE ICEMAKER AND DISPENSER

If the refrigerator has an icemaker, it will have to be connected to a cold water line.





REFRIGERATOR LOCATION

- Do not install the refrigerator where the temperature will go below 60°F (16°C) because it will not run often enough to maintain proper temperatures.
- Do not install the refrigerator where the temperature will go above 100°F (37°C) because it will not perform properly.
- Do not install the refrigerator in a location exposed to water (rain, etc.) or direct sunlight.
- Install it on a floor strong enough to support it fully loaded.

TOOLS YOU MAY NEED

- Adjustable wrench
- Phillips-head screwdriver
- Socket ratchet/driver
- Nut drive
- Tape measure
- Pencil
- Level
- Wire Cutters

PARTS SUPPLIED

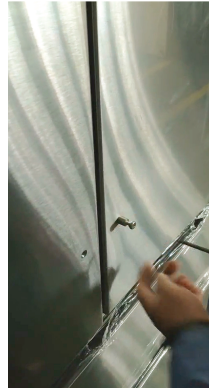
	Parts	Quantity	Usage
	Mounting fasteners (COS-FDR225RHSS-G only)	4	To mount the door handles
	Screw caps (COS-FDR225RHSS-G only)	4	To cover the screws on the door handles
	Snap rings	4	To level the refrigerator doors
	Water line union connector	1	To connect the refrigerator water lines

ATTACHING REFRIGERATOR DOOR HANDLES

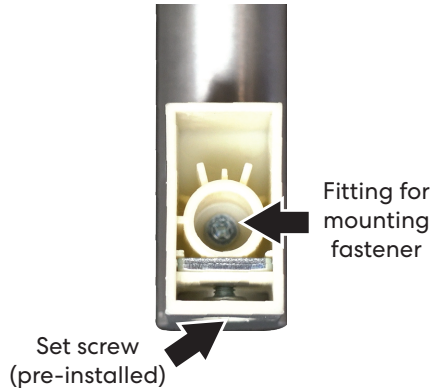
(FOR COS-FDR225RHSS-G ONLY)



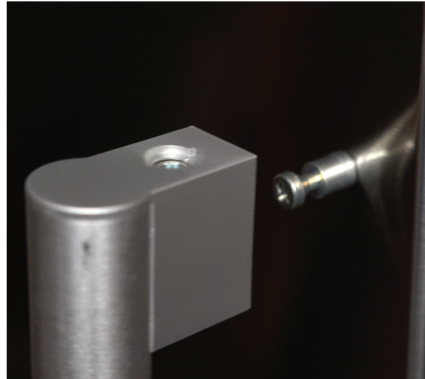
1. Assemble the mounting fasteners on each refrigerator door with a Phillips-head screwdriver.



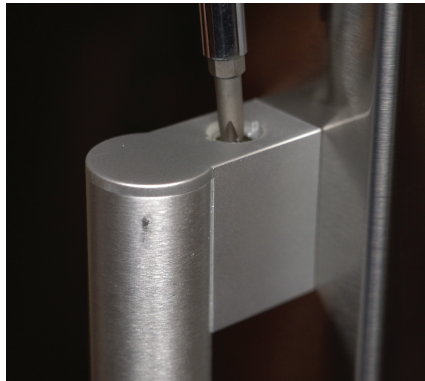
2. Loosen/Remove the set screws in the handle end caps.



3. Place the handle over the mounting fasteners on the door until it is flush against the surface of the door.



4. Hold the handle firmly against the door, make sure there are no gaps between the handle end caps and the door, and tighten both set screws in the handle end caps.



5. Place the screw caps over the set screws on the handles.

CONNECTING TO THE HOUSE WATER LINE

WARNING

Connect to potable water supply only. A cold water supply is required for automatic ice maker operation. The water pressure must be between 21 and 121 psi (147-834 kilo-Pascals).

WARNING

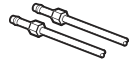


ELECTRIC SHOCK HAZARD

Attach tubing clamp using existing hole only. DO NOT drill into the refrigerator.

WHAT YOU WILL NEED

- A copper or approved flexible universal refrigerator tubing kit or ice-maker install kit with 1/4" outer diameter to connect the refrigerator to the water supply. If using copper, be sure both ends of the tubing are cut square.
- A cold water supply. The water pressure must be between 21 and 121 psi (147-834 kPa).
- Power drill.
- 1/2" or adjustable wrench.
- Straight and Phillips blade screwdriver.
- Two 1/4" outer diameter compression nuts and two ferrules (sleeves) to connect the copper tubing to the shutoff valve and the refrigerator water valve, OR you can find kits that come with all parts included such as Stop Tee and compressing fittings.
- If your existing copper water line has a flared fitting at the end, you will need an adapter (available at plumbing supply stores) to connect the water line to the refrigerator, OR you can cut off the flared fitting with a tube cutter and then use a compression fitting.
- Shutoff valve to connect to the cold water line. The shutoff valve should have a water inlet with a minimum inner diameter of 5/32" at the point of connection to the cold water line. Saddle-type shutoff valves are included in many water supply kits. Before purchasing, make sure a saddle-type valve complies with your local plumbing codes.



NOTE:

- Before making the connection to the refrigerator, be sure the refrigerator power cord is not plugged into the wall outlet.
- Before connecting the water line to the house, purge the house line for at least 2 minutes.
- Only use approved plastic universal tubing if not using copper tubing. Cross linked High Density Polyethylene (PEX) hose is extremely durable and is becoming increasingly preferred.
- Install a shutoff valve on the nearest frequently used drinker water line.

1. SHUT OFF THE MAIN WATER SUPPLY

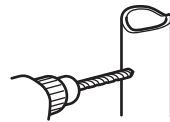
Then turn on the nearest faucet long enough to clear the line of water.

2. CHOOSE THE VALVE LOCATION

Choose an easily accessible location on the cold water pipe for the shutoff valve. It is best to connect into the side of a vertical water pipe. When it is necessary to connect into a horizontal water pipe, make the connection to the top or side, rather than at the bottom, to avoid drawing off any sediment from the water pipe.

**3. DRILL THE HOLE FOR THE VALVE**

Drill a 1/4" hole in the water pipe (even if using a self-piercing valve) using a sharp bit. Be cautious not to allow water to drain into the drill. Remove any burrs resulting from drilling the hole in the pipe. Failure to drill a 1/4" hole may result in reduced ice production or smaller cubes.

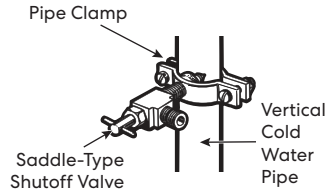


4. FASTEN THE SHUTOFF VALVE

Fasten the shutoff valve to the cold water pipe with the pipe clamp.

NOTE:

- Commonwealth of Massachusetts Plumbing Codes 248CMR shall be adhered to. Saddle valves are illegal and use is not permitted in Massachusetts. Consult with your licensed plumber.

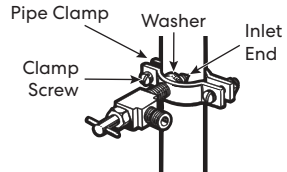


5. TIGHTEN THE PIPE CLAMP

Tighten the clamp screws until the sealing washer begins to swell.

NOTE:

- Do not over tighten or you may crush the tubing.

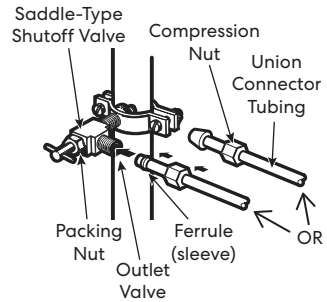


6. ROUTE THE TUBING

Route the tubing between the cold water line and the refrigerator. Route the tubing through a hole drilled in the wall or floor (behind the refrigerator or adjacent the base cabinet) as close to the wall as possible.

7. FASTEN THE SHUTOFF VALVE

Place the compression nut and ferrule (sleeve) for copper tubing onto the end of the tubing and connect it to the shutoff valve. Make sure the tubing is fully inserted into the valve. Tighten the compression nut securely. For plastic tubing with the water line union connector (included), insert the molded end of the tubing into the shutoff valve and tighten the compression nut until it is hand tight, then tighten one additional turn with a wrench.

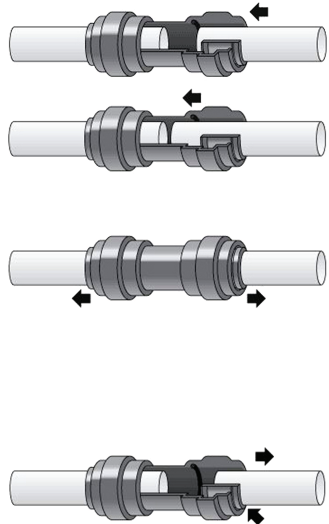


NOTE:

- Over tightening may cause leaks.

Water Line Union Connector (Included)

- Connector grips before it seals. Ensure tube is pushed into the tube stop.
- Pull on the tube to check it is secure. Turn on water and check for leaks. (If you have leaks, just cut a small portion of hose further down to give a smooth edge.)
- To disconnect, ensure the system is depressurized before removing the tube. Push in the connector end piece squarely against face of fitting. With it held in this position, the tube can be removed.



8. FLUSH THE TUBING

Turn on the main water supply and flush out the tubing until the water is clear. Shut off the water at the water valve after about 1 quart (1 Liter), or 2 minutes, of water has been flushed through the tubing.

COMPLETING INSTALLATION

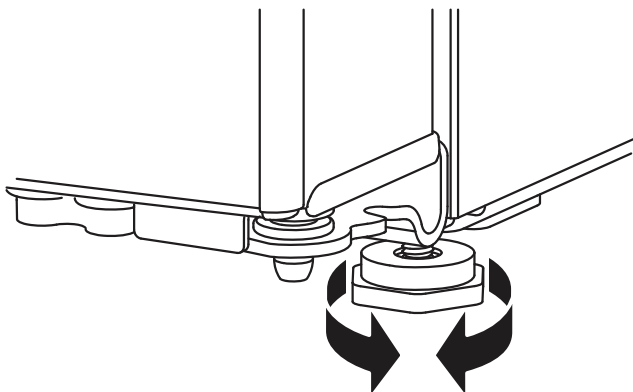
TURN ON THE POWER

Plug the refrigerator's power cord into a 3-prong grounded outlet, and carefully push the refrigerator into the final position.

LEVEL THE REFRIGERATOR

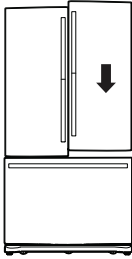
Adjustable legs at the front corners of the refrigerator should be set so the refrigerator is firmly positioned on the floor, and the front is raised just enough that the door closes easily when opened about halfway.

- To adjust the leveling legs, turn the legs clockwise to raise the refrigerator, counterclockwise to lower it.

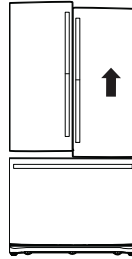


LEVEL THE REFRIGERATOR DOORS

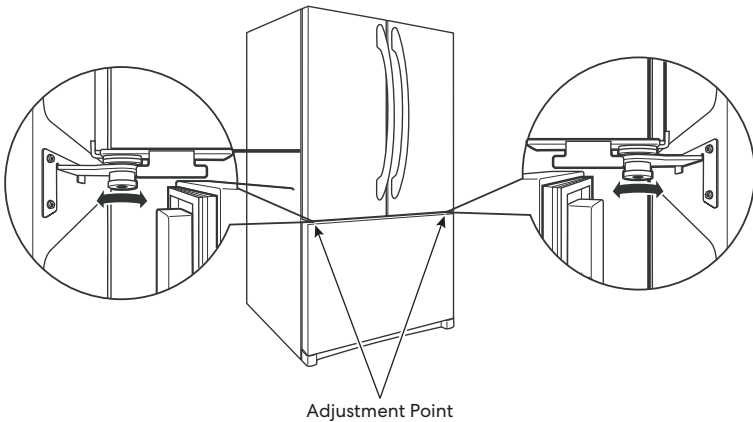
A level refrigerator is necessary for getting the doors perfectly even. If you need help, review the previous section on leveling the refrigerator.



When the left door is lower than the right door.

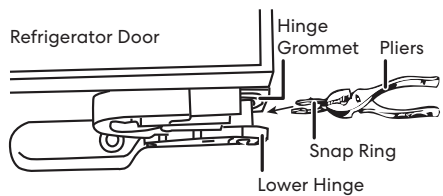
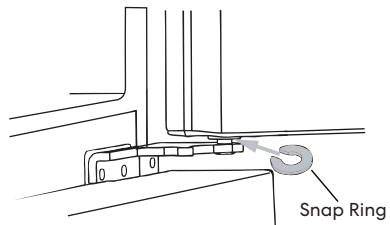


When the left door is higher than the right door.



Using Snap Rings (Included):

- With the door open, gently lift the door up.
- By hand or using pliers, insert the snap ring(s) onto the center hinge pin.
- Slowly lower the door.



OPERATION

BEFORE USE

- **Reserve doors and drawer(s) clearances.**

Make sure to leave enough space to allow for the doors and drawers to be opened without obstruction for your safety and convenience.

- **Clean the refrigerator.**

Clean the refrigerator thoroughly and wipe off all dust that accumulated during shipping.

CAUTION

- Do not scratch the refrigerator with a sharp object or use a detergent that contains alcohol, a flammable liquid or an abrasive when removing any tape or adhesive from the refrigerator. Remove adhesive residue by wiping it off with your thumb or dish detergent.
- Do not peel off the model or serial number label or the technical information on the rear surface of the refrigerator.

- **Open refrigerator doors and freezer drawers to ventilate the interior.**

The inside of the refrigerator may smell like plastic at first. Remove any adhesive tape from inside the refrigerator and open the refrigerator doors and the freezer drawers for ventilation.

- **Connect the power supply.**

Check if the power supply is connected before use.

- **Turn off the icemaker.**

Turn off the icemaker if the refrigerator is not yet connected to the water supply.

- **Wait for the refrigerator to cool.**

Allow the refrigerator to run for at least two to three hours before putting food in it. Check the flow of cold air in the freezer compartment to ensure proper cooling.

Storage of too much food after initial connection to power may adversely affect the freezing effect of the refrigerator.

 **CAUTION**

- Putting food in the refrigerator before it has cooled could cause the food to spoil, or a bad odor to remain inside the refrigerator.

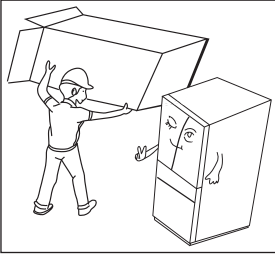
- **The refrigerator makes a loud noise after initial operation.**

This is normal. The volume will decrease as the temperature decreases.

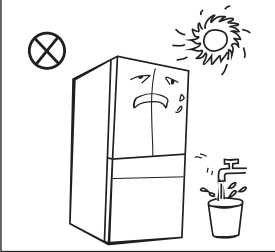
Energy Saving Tips

- The appliance should be located in the coolest area of the room, away from heat producing appliances or heating ducts and out of direct sunlight.
- Let hot foods cool to room temperature before placing in the appliance. Overloading forces the compressor to run longer. Foods that freeze too slowly may lose quality or spoil.
- Be sure to wrap foods properly and wipe containers dry before placing them in the appliance. This cuts down on frost build-up inside the fridge.
- Appliance storage bin should not be lined with aluminum foil, wax paper or paper towels. Liners interfere with cold air circulation making the appliance less efficient.
- Organize and label food to reduce door opening and extended searches. Remove as many items needed at one time and close the door as soon as possible.

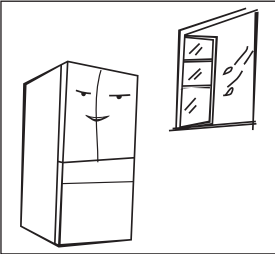
PLACEMENT / RELOCATION



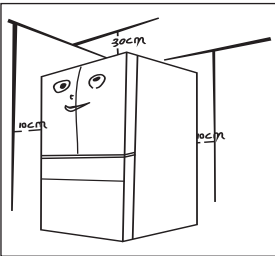
- Before use, remove all packing materials including bottom cushions, foam pads and tape inside of the refrigerator; tear off the protective film on the doors and the refrigerator body.



- Keep away from heat and direct sunlight. Do not place the freezer in moist or watery places to prevent rust or reduced insulation.
- Do not spray or wash the refrigerator; do not put the refrigerator in places that are prone to be splashed with water so as not to effect the electrical insulation of the appliance.



- The refrigerator should be placed in a well ventilated indoor area. Place on flat level ground and adjust legs to level evenly if needed.

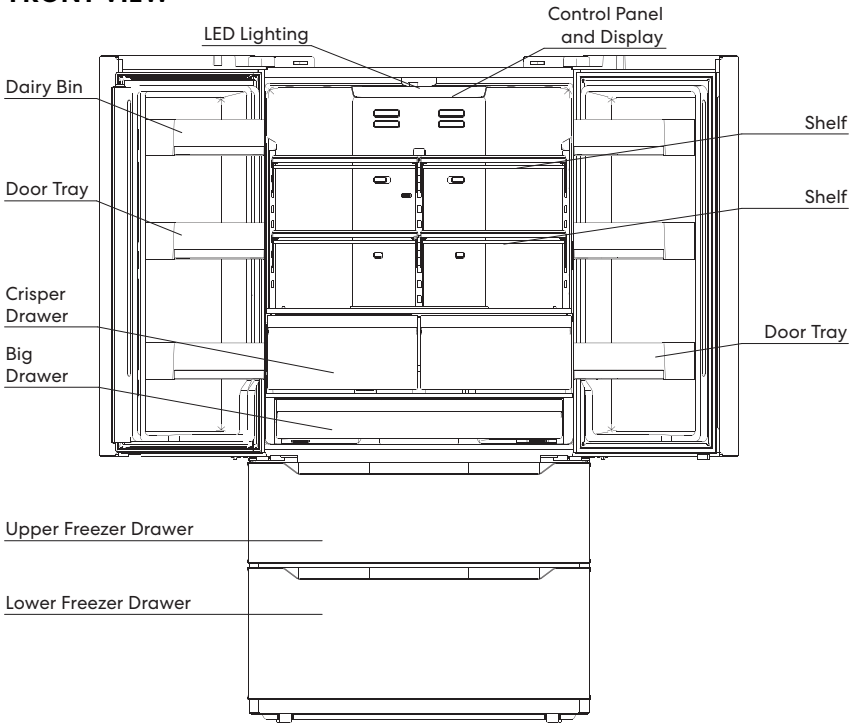


- Allow at least a foot of room on top of the refrigerator and place against a wall with at least 4" (10 cm) room to allow heat dissipation.
- When you install the refrigerator next to a fixed wall, you must provide a minimum clearance of 4" (10 cm) from the wall to allow the door to swing open.

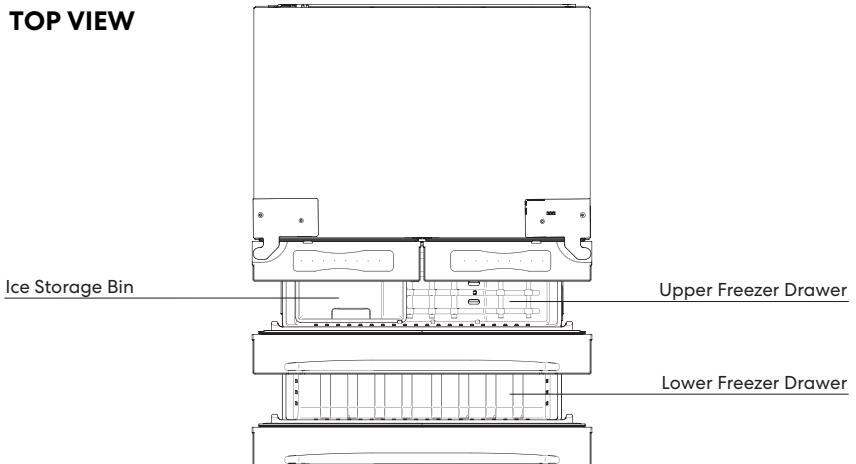
INTERIOR OVERVIEW

The illustrations below are for general reference only. Your model may be slightly different in actual configuration.

FRONT VIEW



TOP VIEW



LED lighting: LED light is located at the top of the fresh food compartment. LED lights are also located in the freezer.

Dairy Bin / Door Trays: This is the warmest area of the fridge as room-temperature air gushes in every time the door is opened. Put your least perishable items on the door, like ketchup, mustard, soy sauce and other condiments with longer shelf lives.

Shelves: The top shelves have the most consistent temperature in the fridge. Use them for dairy, ready-to-eat foods or leftovers.

Crisper Drawer: Designed to maintain moisture, use this area to keep your fruits and vegetables at their best longer. (Separate them to avoid over ripening due to ethylene release by certain fruit.)

Big Drawer: Keep eggs in their store bought cartons and stack them on the bottom shelf. Cold air sinks, so this is often the coldest part of the fridge, particularly in the back. It's also a good place to store deli meat and fish.

Freezer Drawers: Keep food fresh by storing meat, fish & other foods not for short term consumption.

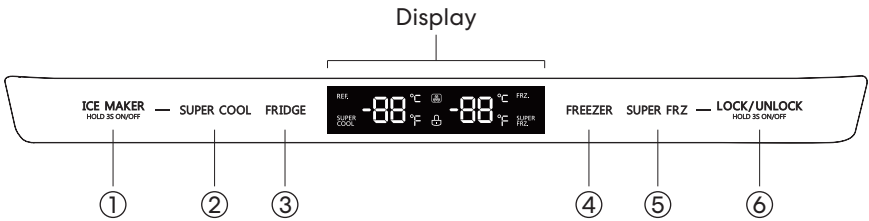
Refrigerated Area

- The Refrigerator is suitable for a variety of fruits, vegetables, beverages and other food consumed in the short term.
- Cooked foods should not be put in the refrigerator until cooled to room temperature.
- Foods are recommended to be sealed before refrigerating.
- The glass shelves can be adjusted up or down to allow for needed storage space and ease of use.

Freezer Area

- The low temperature freezer will keep food fresh for a long time and is mainly used to store frozen foods and making ice.
- The freezer is suitable for storing meat, fish, rice balls and other foods not to be consumed in short term.
- Divide chunks of meat into small pieces for easy access. Food should be consumed within its shelf life.

CONTROL PANEL



① ICE MAKER

② SUPER COOL

③ FRIDGE

④ FREEZER

⑤ SUPER FREEZE

⑥ LOCK/UNLOCK

CONTROL BUTTONS

ICE MAKER

Turn ice maker on or off.

- Press the **ICE MAKER** button to toggle on and off, and the icon light will turn on and off respectively.

SUPER COOL – REFRIGERATOR TEMPERATURE QUICKSET

Automatically set the refrigerator (fresh food cabinet) to 34°F (1°C) the lowest refrigerator temperature available.

- Press the **SUPER COOL** button to activate and deactivate. The icon light will turn on and off respectively.

FRIDGE – REFRIGERATOR TEMPERATURE SETTING

Adjust the refrigerator (fresh food cabinet) temperature.

- Press the **FRIDGE** button repeatedly to adjust the refrigerator temperature between 34°F ~ 44°F (1°C ~ 7°C).
- Each time you press the **FRIDGE** button, the temperature setting will drop by 1°F. When the temperature setting reaches the lowest temperature, press the button again and it will cycle back to the highest temperature.

FREEZER – FREEZER TEMPERATURE SETTING

Adjust the freezer temperature.

- Press the **FREEZER** button repeatedly to adjust the freezer temperature between -7°F ~ 7°F (-22°C ~ -14°C).
- Each time you press the **FREEZER** button, the temperature setting will drop by 1°F. When the temperature setting reaches the lowest temperature, press the button again and it will cycle back to the highest temperature.

SUPER FREEZE – FREEZER TEMPERATURE QUICKSET

Automatically set the freezer to -7°F (-22°C) the lowest freezer temperature available.

- Press the **SUPER FRZ** button to activate or deactivate. The icon light will turn on and off respectively.

LOCK/UNLOCK – CONTROL PANEL LOCK

Enable or disable the control panel buttons.

- Press and hold the **LOCK/UNLOCK** button for 3 seconds to lock/unlock the control panel - a beep will sound.
- Display will lock after opening door and no actions taken within 30 seconds.
- Alarm sound can be stopped by pressing any button when the control panel is locked. All other button actions need to be performed with the control panel unlocked. An error beep will sound if trying to operate when the control panel is locked.

DISPLAY

- When the refrigerator first starts up the display screen will light up for 3 seconds before entering normal operation mode, and you will hear a beep.
- The set temperatures of both the refrigerator and freezer are shown in the display under normal operation.
 - Default refrigerator temperature: 39°F (4°C)
 - Default freezer temperature: 0°F (-18°C)
- Under normal circumstances, the display light will go out after 30 seconds in lock state. Button operation on display panel will wake up display screen. If opening the door wakes up screen, the display light will go out immediately after door closes. When "Error Code" occurs, the display screen lights up and will go out after 30 seconds.

Temperature Mode

The temperature scale is set to Fahrenheit (°F) by default.

- Press and hold the **FRIDGE** and **FREEZER** buttons together for 3 seconds to change the temperature mode between °F and °C.

Error Codes

When the following codes appear on the display screen, it indicates a problem with the refrigerator. Your refrigerator may seem to continue to operate normally even if there is a fault present, but you should contact a technician immediately regarding the error.

Error Code	Description
E1	Refrigerator temperature sensor failure
E2	Freezer temperature sensor failure
E5	Freezer defrost sensor error
E6	System communication error
E7	Ambient temperature sensor error
EH	Humidity sensor error
Eo	Ice maker error

MAINTENANCE & CARE

GENERAL CLEANING

WARNING

- Use non-flammable cleaner. Failure to do so can result in fire, explosion, or death.

CAUTION

- Do not use an abrasive cloth or sponge when cleaning the interior and exterior of the refrigerator.
 - Do not place your hand on the bottom surface of the refrigerator when opening and closing the doors.
-
- Clean the dust on top, behind, and under the refrigerator regularly.
 - Wipe up spills immediately.
 - Unplug the refrigerator or disconnect power before cleaning.
 - Remove all removable parts, such as shelves.
 - Use a clean sponge or soft cloth and a mild detergent in warm water. Do not use abrasive or harsh cleaners.
 - Hand wash, rinse and dry all surfaces thoroughly.

EXTERIOR

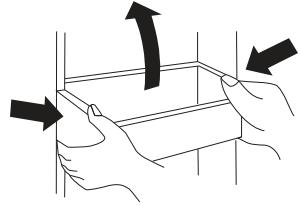
- For products with a standard stainless steel exterior, use a damp microfiber cloth and rub in the direction of the grain. Dry with a paper towel to avoid streaks.
- For stubborn stains and fingerprints, use a few drops of liquid dish soap in water, and rinse with hot water before drying. Do not use abrasive or harsh cleaners.

INSIDE WALLS

- To help remove odors, use a clean sponge or soft cloth to wipe the inside of the refrigerator with a mixture of baking soda and warm water. Mix 2 tablespoons of baking soda to 1 quart of water (26 g soda to 1 liter water.) Be sure the baking soda is completely dissolved so it does not scratch the surfaces of the refrigerator.

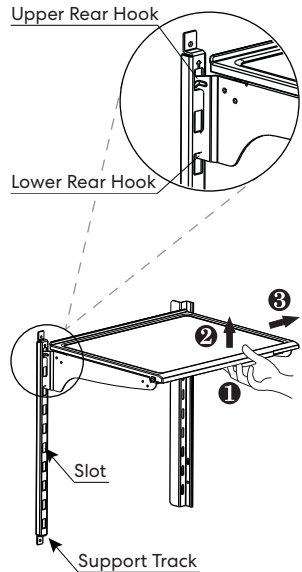
DOOR TRAYS

- Remove all items from tray, grab outer ends and squeeze together, then lift and pull out the tray.
- Hand wash tray and install back in place or adjust height as desired.



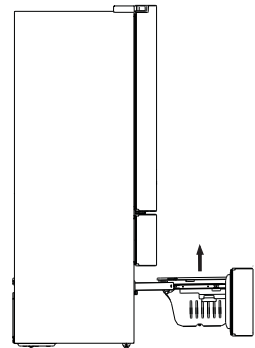
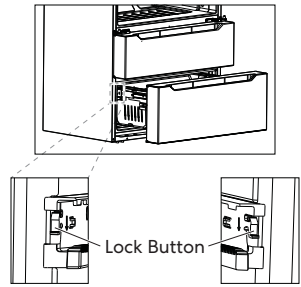
SHELVES

- To remove shelf, grab the front side, tilt up until the lower rear hook is removed from the support track, then lift and pull shelf out.
- Hand wash using a clean sponge or soft cloth and a mild detergent in warm water. Do not use glass cleaners, abrasive cleansers, or flammable fluids. These can scratch or damage the material.
- To replace shelf, insert the upper rear hook in a slot of the support track while tilting the front side of the shelf up, then lower the front side and insert the lower rear hook to lock the shelf in place.



FREEZER DRAWERS

- To remove the freezer drawer, pull out the freezer drawer, and remove the plastic drawer rail lock at the lock button on both sides.
- Press the lock button on both sides of the drawer rails near the drawer frame to unlock the drawer, then lift and remove the drawer.
- Refer to "Inside Walls" section above for cleaning suggestions. Allow freezer to warm up so the cloth will not stick.
- To replace the freezer drawer, align the drawer with the rails and replace the drawer rail locks on both sides, then gently close the drawer. The drawer will be automatically locked.



DOOR LINERS AND GASKETS

- Use a clean sponge or soft cloth and a mild detergent in warm water. Do not use cleaning waxes, concentrated detergents, bleaches, or cleaners containing petroleum on plastic refrigerator parts.

DEFROSTING

The refrigerator defrosts automatically, but frost may still form with change of season or temperature. Unplug the refrigerator or disconnect power and wipe clean with a dry towel.

EXTENDED PERIODS OF NON-USE

The appliance should be unplugged and then cleaned; the doors should be left open to prevent odor buildup.

POWER FAILURE

In case of power failure, foods inside the refrigerator can be kept for several hours. During the power failure, minimize opening the doors and do not place any fresh food inside until power is restored.

MOVING

- Before the refrigerator is moved, take all objects out of the inside, fix the glass partitions, vegetable holder, freezer drawers, etc. with tape and tighten the leveling feet.
- Close the doors and seal them with tapes.
- During move, do not lay the appliance upside down or horizontally or subject it to excessive vibration. Do not allow it to stand inclined more than 45° during move.
- Handle only from the sides of the refrigerator.
- Be sure the refrigerator stays in an upright position during moving.

PREPARING FOR VACATION

- Remove food from the refrigerator.
- Unplug the refrigerator or disconnect power.
- Empty ice bucket.
- Turn off water supply.
- Clean the refrigerator. (Refer to the "General Cleaning" section.)
- Leave the doors and drawers open.
- If the ambient temperature will drop below freezing, have a qualified technician drain the water supply system to prevent serious property damage due to flooding caused by ruptured water lines or connections.
- Upon returning from vacation, turn on water supply and run 2 gallons of water through the cold water dispenser (about 5 minutes) to flush the water lines.

TROUBLESHOOTING

BEFORE CALLING FOR SERVICE

Save time and money! Review the charts on the following pages first and you may not need to call for service.

Problem	Possible Cause & Solution
Refrigerator is not cooling or has no power.	A fuse in your home may be blown or the circuit breaker tripped. Or the appliance is connected to a GFCI (Ground Fault Circuit Interrupter) outlet, and the outlet's circuit breaker has tripped. <ul style="list-style-type: none">• Check the main electrical box and replace the fuse or reset the circuit breaker. Do not increase fuse capacity. If the problem is a circuit overload, have it corrected by a qualified electrician.• Reset the circuit breaker on the GFCI. If the problem persists, contact an electrician.
	Refrigerator is in the defrost cycle. <ul style="list-style-type: none">• During the defrost cycle, the temperature of each compartment may rise slightly. Wait 30 minutes and confirm the proper temperature has been restored once the defrost cycle has completed.
	Refrigerator was recently installed. <ul style="list-style-type: none">• It may take up to 24 hours for each compartment to reach the desired temperature.
	Refrigerator was recently relocated. <ul style="list-style-type: none">• If the refrigerator was stored for a long period of time or moved on its side, it is necessary for the refrigerator to stand upright for 24 hours before connecting it to power.

Problem	Possible Cause & Solution
<p>Cooling system runs too much.</p>	<p>Refrigerator is replacing an older model.</p> <ul style="list-style-type: none"> • Modern refrigerators require more operating time but use less energy due to more efficient technology.
	<p>Refrigerator was recently plugged in or power restored.</p> <ul style="list-style-type: none"> • The refrigerator will take up to 24 hours to cool completely.
	<p>The door is opened often or a large amount of food / hot food was added.</p> <ul style="list-style-type: none"> • Adding food and opening the door warms the refrigerator, requiring the compressor to run longer in order to cool the refrigerator back down. In order to conserve energy, try to get everything you need out of the refrigerator at once, keep food organized so it is easy to find, and close the door as soon as the food is removed.
	<p>Doors are not closed completely.</p> <ul style="list-style-type: none"> • Firmly push the doors shut.
	<p>Refrigerator is installed in a hot location.</p> <ul style="list-style-type: none"> • The compressor will run longer under warm conditions. At normal room temperatures (70°F or 21 °C) expect your compressor to run about 40 % to 80 % of the time. Under warmer conditions, expect it to run even more often. The refrigerator should not be operated above 110 °F (43 °C).

Problem	Possible Cause & Solution
Interior moisture buildup.	<p>Doors are opened often or for long periods of time.</p> <ul style="list-style-type: none"> When the doors are opened often or for long periods of time, warm, humid air enters the compartment. This raises the temperature and moisture level within the compartment. To lessen the effect, reduce the frequency and duration of door openings.
	<p>Doors are not always closed completely.</p> <ul style="list-style-type: none"> Firmly push the doors shut.
	<p>Weather is humid.</p> <ul style="list-style-type: none"> Humid weather allows additional moisture to enter the compartments when the doors are opened leading to condensation or frost. Maintaining a reasonable level of humidity in the home will help to control the amount of moisture that can enter the compartments.
	<p>Defrost cycle recently completed.</p> <ul style="list-style-type: none"> During the defrost cycle, the temperature of each compartment may rise slightly and condensation may form on the back wall. Wait 30 minutes and confirm that the proper temperature has been restored once the defrost cycle has completed.
	<p>Food is not packaged correctly.</p> <ul style="list-style-type: none"> Food stored uncovered or unwrapped, and damp containers can lead to moisture accumulation within each compartment. Wipe all containers dry and store food in sealed packaging to prevent condensation and frost.

Problem	Possible Cause & Solution
Food is freezing in the refrigerator compartment.	Food with high water content was placed near an air vent. <ul style="list-style-type: none"> • Rearrange items with high water content away from air vents.
	Refrigerator temperature control is set incorrectly. <ul style="list-style-type: none"> • If the temperature is too cold, adjust the control one increment at a time and wait for the temperature to stabilize.
	Refrigerator is installed in a cold location. <ul style="list-style-type: none"> • When the refrigerator is operated in temperature below 41 °F (5 °C), food can freeze in the refrigerator compartment. The refrigerator should not be operated in temperature below 55 °F (13 °C).
Refrigerator or Freezer section is too cold.	Incorrect temperature control settings. <ul style="list-style-type: none"> • If the temperature is too cold, adjust the control one increment at a time and wait for the temperature to stabilize.
Frost or ice crystals form on frozen food (inside of sealed package).	Condensation from food with a high water content has frozen inside of the food package. <ul style="list-style-type: none"> • This is normal for food items with a high water content.
	Food has been left in the freezer for a long period of time. <ul style="list-style-type: none"> • Do not store food items with high water content in the freezer for a long period of time.
Frost or ice crystals form on frozen food (outside of package).	Door is opened frequently or for long periods of time. <ul style="list-style-type: none"> • When the doors are opened often or for long periods of time, warm, humid air enters the compartment. This raises the temperature and moisture level within the compartment. Increased moisture will lead to frost and condensation. To lessen the effect, reduce the frequency and duration of door openings.
	Doors are not always closed completely. <ul style="list-style-type: none"> • Firmly push the doors shut.

Problem	Possible Cause & Solution
Refrigerator or Freezer section is too warm.	Refrigerator was recently installed. <ul style="list-style-type: none"> • It may take up to 24 hours for each compartment to reach the desired temperature.
	The air vents are blocked. Cold air circulates from the freezer to the fresh food section and back again through air vents in the wall dividing the two sections. <ul style="list-style-type: none"> • Locate air vents by using your hand to sense airflow and move all packages that block vents and restrict airflow. Rearrange items to allow air to flow throughout the compartment.
	Doors are opened often or for long periods of time. <ul style="list-style-type: none"> • When the doors are opened often or for long periods of time, warm, humid air enters the compartment. This raises the temperature and moisture level within the compartment. To lessen the effect, reduce the frequency and duration of door openings.
	Unit is installed in a hot location. <ul style="list-style-type: none"> • The refrigerator should not be operated in temperatures above 110 °F (43 °C).
	A large amount of food or hot food was added to either compartment. <ul style="list-style-type: none"> • Adding food warms the compartment requiring the cooling system to run. Allowing hot food to cool to room temperature before putting it in the refrigerator will reduce this effect.
	Doors are not always closed completely. <ul style="list-style-type: none"> • Firmly push the doors shut.
	Temperature control is not set correctly. <ul style="list-style-type: none"> • If the temperature is too warm, adjust the control one increment at a time and wait for the temperature to stabilize.

Problem	Possible Cause & Solution
<p>Icemaker is not making enough ice.</p>	<p>House water supply is not connected, valve is not turned on fully, or valve is clogged.</p> <ul style="list-style-type: none"> • Connect the refrigerator to a cold water supply with adequate pressure and turn the water shutoff valve fully open. If the problem persists, it may be necessary to contact a plumber.
	<p>Water filter has been exhausted on models with a water filter.</p> <ul style="list-style-type: none"> • Replacing the water filter is recommended: <ul style="list-style-type: none"> - Approximately every six months. - When the water filter indicator turns on. - When the water dispenser output decreases. - When the ice cubes are smaller than normal.
	<p>Low house water supply pressure.</p> <ul style="list-style-type: none"> • The water pressure must be between 21 and 121 psi (147 and 834 kPa) on models without a water filter and between 40 and 120 psi (276 and 827 kPa) on models with a water filter. If the problem persists, it may be necessary to contact a plumber.
	<p>Tubing connecting refrigerator to house supply valve is kinked.</p> <ul style="list-style-type: none"> • The tubing can kink when the refrigerator is moved during installation or cleaning resulting in reduced water flow. Straighten or repair the water supply line and arrange it to prevent future kinks.
	<p>Doors are opened often or for long periods of time.</p> <ul style="list-style-type: none"> • If the doors of the unit are opened often, ambient air will warm the refrigerator which will prevent the unit from maintaining the set temperature. Lowering the refrigerator temperature can help, as well as not opening the doors as frequently.
	<p>Doors are not always closed completely.</p> <ul style="list-style-type: none"> • If the doors are not properly closed, ice production will be affected.

Problem	Possible Cause & Solution
Icemaker is not making ice.	Refrigerator was recently installed or icemaker recently connected. <ul style="list-style-type: none"> • It may take up to 24 hours for each compartment to reach the desired temperature and for the icemaker to begin making ice.
	Icemaker is not turned on. <ul style="list-style-type: none"> • Locate the icemaker ON/OFF and confirm that it is turned on.
	The refrigerator is not connected to a water supply or the supply shutoff valve is not turned on. <ul style="list-style-type: none"> • Connect the refrigerator to the water supply and turn the water shutoff valve fully open.
	Reverse osmosis water filtration system is connected to your cold water supply. <ul style="list-style-type: none"> • Reverse osmosis filtration systems can reduce the water pressure below the minimum amount and result in icemaker issues.

Problem	Possible Cause & Solution
<p>Ice has bad taste or odor.</p>	<p>Water supply contains minerals such as sulfur.</p> <ul style="list-style-type: none"> • A water filter may need to be installed to eliminate taste and odor problems. NOTE: In some cases, a filter may not help. It may not be possible to remove all minerals/odor/taste in all water supplies.
	<p>Icemaker was recently installed.</p> <ul style="list-style-type: none"> • Ice that has been stored for too long will shrink, become cloudy, and may develop a stale taste. Throw away old ice and make a new supply.
	<p>The food has not been stored properly in either compartment.</p> <ul style="list-style-type: none"> • Rewrap the food. Odors may migrate to the ice if food is not wrapped properly.
	<p>The interior of the refrigerator needs to be cleaned.</p> <ul style="list-style-type: none"> • See the Maintenance & Care section for more information.
	<p>The ice storage bin needs to be cleaned.</p> <ul style="list-style-type: none"> • Empty and wash the bin (discard old cubes). Make sure that the bin is completely dry before reinstalling it.
<p>Doors are difficult to open.</p>	<p>The gaskets are dirty or sticky.</p> <ul style="list-style-type: none"> • Clean the gaskets and the surfaces that they touch. Rub a thin coat of appliance polish or kitchen wax on the gaskets after cleaning.
	<p>Door was recently closed.</p> <ul style="list-style-type: none"> • When you open the door, warmer air enters the refrigerator. As the warm air cools, it can create a vacuum. If the door is hard to open, wait one minute to allow the air pressure to equalize, then see if it opens more easily.

Problem	Possible Cause & Solution
Refrigerator wobbles or seems unstable.	Leveling legs are not adjusted properly. <ul style="list-style-type: none"> • Refer to the Leveling and Door Alignment section.
	Floor is not level. <ul style="list-style-type: none"> • It may be necessary to add shims under the leveling legs or rollers to complete installation.
Lights do not work.	LED interior lighting failure. <ul style="list-style-type: none"> • The refrigerator compartment lamp is LED interior lighting, and service should be performed by a qualified technician.
Refrigerator has an unusual odor.	Food is not tightly wrapped. <ul style="list-style-type: none"> • Wrap odorous food tightly. • Store food in sealed packaging. • Check whether there is any rotten food.
	The refrigerator needs to be cleaned. <ul style="list-style-type: none"> • Refer to the "General Cleaning" section.
The interior of the refrigerator is covered with dust or soot.	The refrigerator is located near a fire source, such as a fireplace, chimney, or candle. <ul style="list-style-type: none"> • Make sure that the refrigerator is not located near a fire source, such as a fireplace, chimney or candle.
Rattling noises.	Rattling noises may come from the flow of refrigerant, the water line on the back of the unit, or items stored on top of or around the refrigerator. <ul style="list-style-type: none"> • Normal Operation
	Refrigerator is not resting solidly on the floor. <ul style="list-style-type: none"> • Floor is weak or uneven or leveling legs need to be adjusted.
	Refrigerator with linear compressor was jarred while running. <ul style="list-style-type: none"> • Normal Operation

Problem	Possible Cause & Solution
Whooshing noises.	<p>Evaporator fan motor is circulating air through the refrigerator and freezer compartments.</p> <ul style="list-style-type: none"> • Normal Operation
	<p>Air is being forced over the condenser by the condenser fan.</p> <ul style="list-style-type: none"> • Normal Operation
Gurgling noises.	<p>Refrigerant flowing through the cooling system.</p> <ul style="list-style-type: none"> • Normal Operation
Popping noises.	<p>Contraction and expansion of the inside walls due to changes in temperature.</p> <ul style="list-style-type: none"> • Normal Operation
Sizzling noises.	<p>Water dripping on the defrost heater during a defrost cycle.</p> <ul style="list-style-type: none"> • Normal Operation
Vibrating noises.	<p>If the side or back of the refrigerator is touching a cabinet or wall, some of the normal vibrations may make an audible sound.</p> <ul style="list-style-type: none"> • To eliminate the noise, make sure that the sides and back cannot vibrate against any wall or cabinet.
Dripping noises.	<p>Water running into the drain pan during the defrost cycle.</p> <ul style="list-style-type: none"> • Normal Operation
Pulsating or high-pitched sound	<p>Your refrigerator is designed to run more efficiently to keep your food items at the desired temperature. The high efficiency compressor may cause your new refrigerator to run longer than your old one, but it is still more energy efficient than previous models. While the refrigerator is running, it is normal to hear a pulsating or high-pitched sound.</p> <ul style="list-style-type: none"> • Normal Operation

PRODUCT SPECIFICATIONS

COSMO FRENCH DOOR REFRIGERATOR			
Models			COS-FDR225RHSS
			COS-FDR225RHSS-G
FEATURES			
Capacity	Total	cu. ft.	22.5
	Fresh Food	cu. ft.	15.9
	Freezer	cu. ft.	6.6
Control Type			Electronic
Defrost Type			Automatic
FRESH FOOD SECTION			
Interior Cabinet Shelves	Number		4
	Type		Glass, Fixed
	Adjustable		Yes
Crisper Drawers			2, Humidity Controlled
Crisper Cover			Glass
Chiller Box			Yes
Chiller Cover			Glass
Door Bins	Number		6
	Gallon Storage		Yes
	Dairy Compartment		No
Interior Light			Yes
Utility/Deli Drawer			Yes
Water Dispenser			No
FROZEN FOOD SECTION			
Freezer Location			Bottom
Interior Lighting			No
Pull-out Drawer			Yes
Pull-out Tray			2
Ice Maker			Yes
Ice Tray			Yes
EXTERIOR APPEARANCE			
Reversible Door			No
Leveling legs			2 (Front)
Rollers			Yes
Door Handle Design	COS-FDR225RHSS		Fresh: Recessed, Freezer: Recessed
	COS-FDR225RHSS-G		Fresh: Grip, Freezer: Recessed
Color Availability			Stainless Steel
PERFORMANCE			
Energy Efficiency Standard			Energy Star Certified
Electrical Requirements	Voltage	V	115
	Frequency	Hz	60
Temperature: Fresh	Minimum	°F (°C)	34 (1)
	Maximum	°F (°C)	44 (7)
Temperature: Frozen	Minimum	°F (°C)	-7 (-22)
	Maximum	°F (°C)	7 (-14)
Dimensions (W x D x H)		in (cm)	35.8 x 29 x 69.9 (91 x 73.7 x 177.5)
Weight	Net	lbs (kg)	271.2 (123)
	Gross	lbs (kg)	295.4 (134)

LIMITED WARRANTY

WARRANTY AND SERVICE

TO RECEIVE WARRANTY SERVICE, YOUR PRODUCT MUST BE REGISTERED.
TO REGISTER AND REVIEW FULL WARRANTY DETAILS, VISIT:

WWW.COSMOAPPLIANCES.COM/WARRANTY

SCAN TO REGISTER



CUSTOMER SUPPORT

TO CHAT WITH US LIVE FOR ASSISTANCE, VISIT:

WWW.COSMOAPPLIANCES.COM/CHAT

SCAN TO CHAT



IMPORTANT

Do Not Return This Product To The Store

If you have a problem with this product, please contact COSMO Customer Support at

+1 (888) 784-3108

DATED PROOF OF PURCHASE, MODEL #, AND SERIAL # REQUIRED FOR WARRANTY SERVICE.

IMPORTANT

Ne pas Réexpédier ce Produit au Magasin

Pour tout problème concernant ce produit, veuillez contacter le service des consommateurs Cosmo Customer Support au

+1 (888) 784-3108

UNE PREUVE D'ACHAT DATEE EST REQUISE POUR BENEFICIER DE LA GARANTIE.

IMPORTANTE

No regrese este producto a la tienda

Si tiene algún problema con este producto, por favor contacte el ayuda al cliente COSMO al

+1 (888) 784-3108

(Válido solo en E.U.A.)

NECESITA UNA PRUEBA DE DE COMPRA FECHADA, NÚMERO DE MODELO Y DE SERIE PARA EL SERVICIO DE LA GARANTÍA.



Correct disposal of this product:

This marking indicates that this appliance should not be disposed with other household wastes. To prevent possible harm to the environment or human health from uncontrolled waste disposal, recycle it responsibly to promote the sustainable reuse of material resources.

MEMO

A series of horizontal dashed lines for writing.



APPLIANCES

Cosmo is constantly making efforts to improve the quality and performance of our products, so we may make changes to our appliances without updating this manual.

Electronic version of this manual is available at:
www.cosmoappliances.com