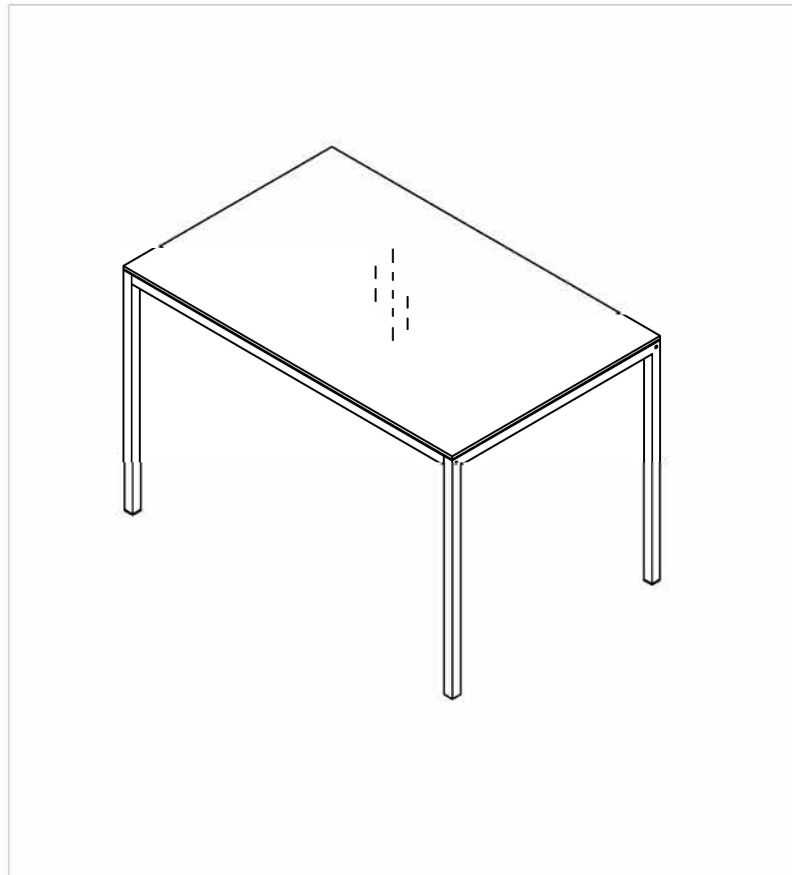


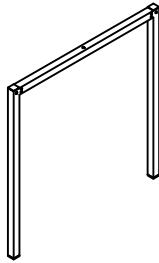
ASSEMBLY INSTRUCTIONS



NOTE TO CUSTOMERS:

- For ease and speed of assembly we recommend that before you commence each step you identify all the parts required to complete the set up.
- We recommend that you allow sufficient space to assemble the item as close as possible to the place it will be once assembled.
- For the protection of your furniture we recommend that the product is placed on protected surfaces during assembly to prevent any damage.
- During assembly do not over tighten, as this may damage the product.
- Please ensure you retain all the product packaging until the item is completely assembled.
- Periodically check all fittings and re tighten as necessary.
- It is recommended that this item should be assembled by two adults.

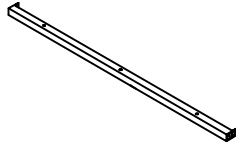
A1



LEG

2PCS

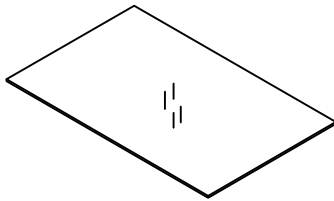
A2



CONNECTION ROD

2PCS

A3



GLASS

1PC

B1



BOLTS& WASHERS

4SETS

B2



BOLTS& WASHERS

8SETS

B3



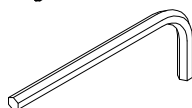
SUCTION CUP(for top glass panel)

8SETS



ALLEN WRENCH(4mm)

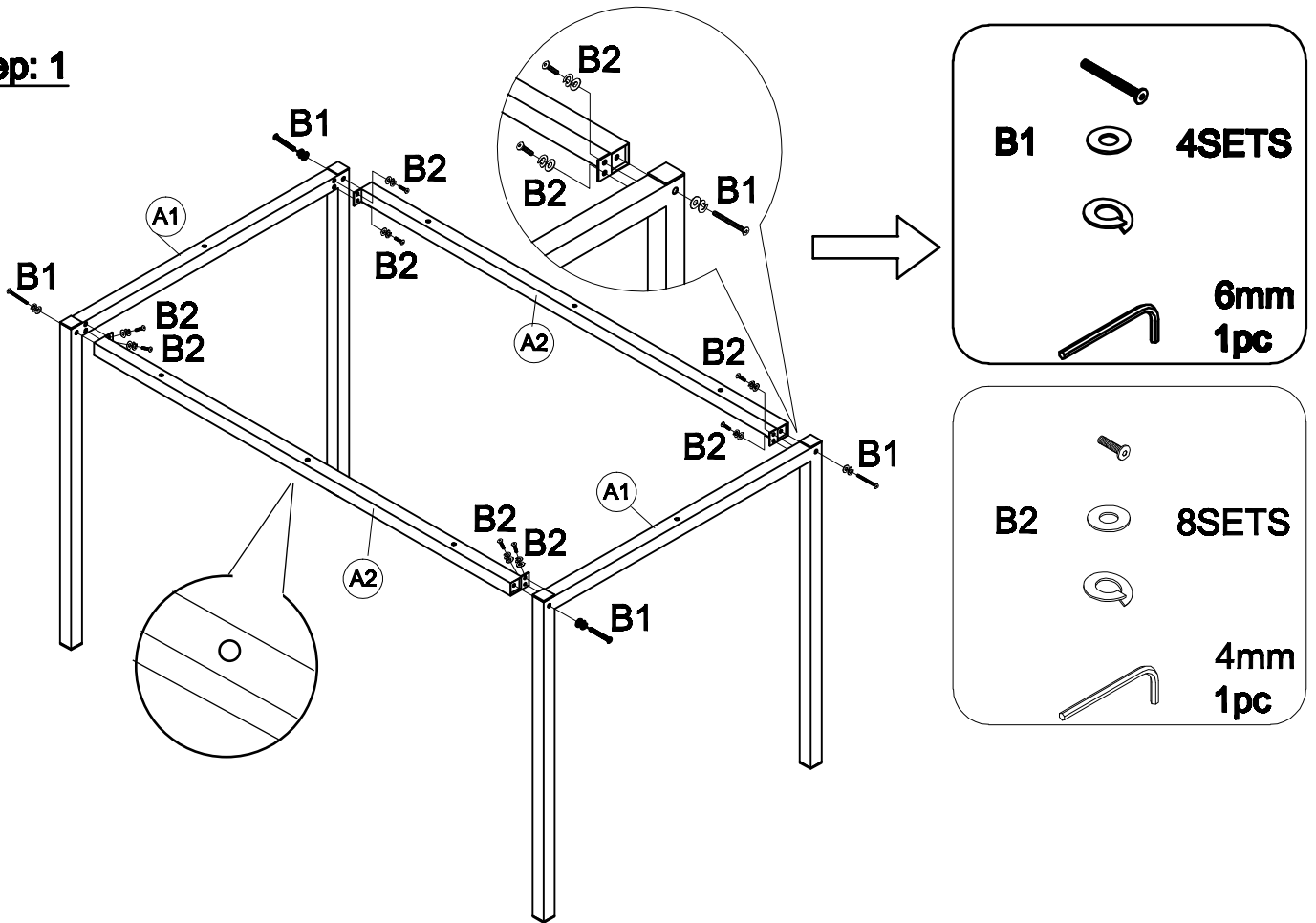
1PC



ALLEN WRENCH(6mm)

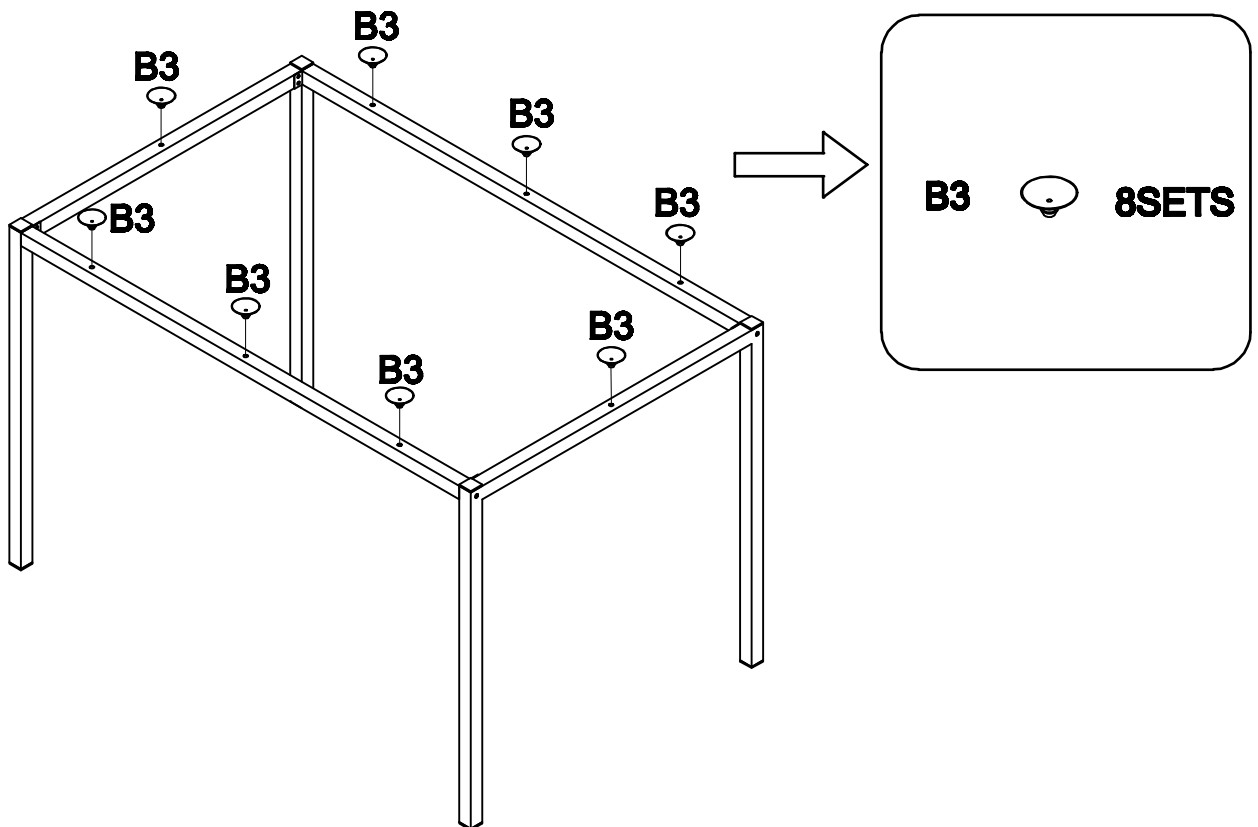
1PC

Step: 1

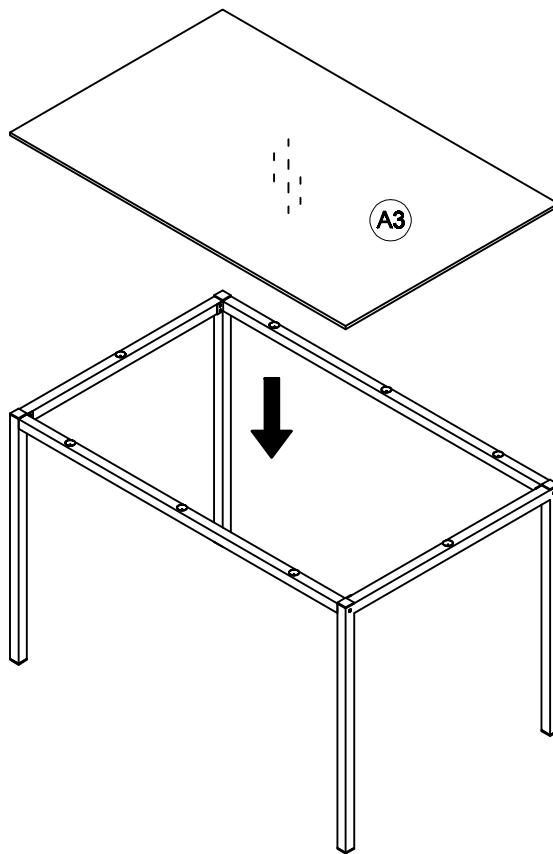


PLEASE DO NOT TIGHTEN BOLTS UNTIL ALL OF THEM ARE ATTACHED.

Step: 2



Step: 3



Step: 4

