

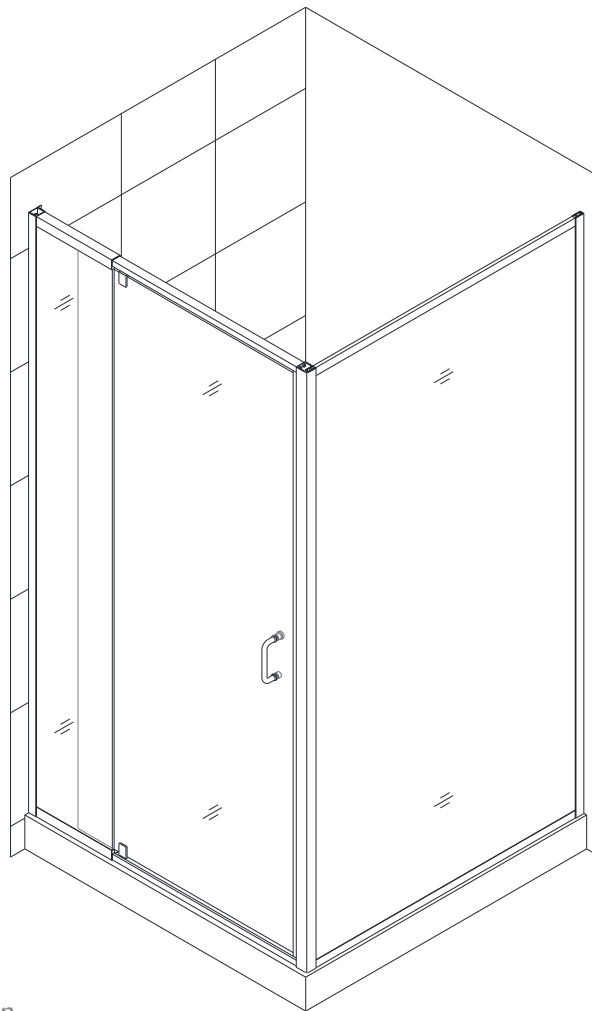


FLEX ENCLOSURE

SHOWER ENCLOSURE INSTALLATION INSTRUCTIONS

IMPORTANT

DreamLine® reserves the right to alter, modify or redesign products at any time without prior notice. For the latest up-to-date technical drawings, manuals, warranty information or additional details please refer to your model's web page on **DreamLine.com**



Model#s:

SHDR-2230300-RT-01

SHDR-2234340-RT-01

Right hand return panel installation

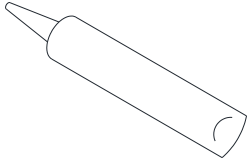
Please read these instructions carefully before installing. If you have any questions regarding installation, please contact our technical support specialists Monday through Friday 8:00 AM – 7:00 PM EST at Phone: 1-866-731-2244, Fax: 1-866-857-3638 or e-mail our technical support group at Support@DreamLine.com

For more information about DreamLine® products please visit DreamLine.com

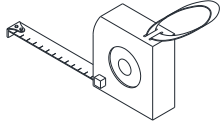
Preparation

1. Prior to installation, examine all boxes and packages for shipping damage and compare the piece count with your packing slip. After opening all boxes and packages read this introduction carefully. Check that all of the needed parts are included in the package by checking off the components on the "Detailed Diagram of Shower Door Components". If the unit has been damaged, has a finishing defect, or has missing parts, please contact our customer support department within **3 business days** of the delivery date. Please note that **DreamLine® will not replace any damaged products or missing parts free of charge after 3 business days or if the product has been installed.** Please contact DreamLine® if you have any questions and please provide an order number, job name or other proof of purchase to help identify the original order.
2. **Please note that you should consult your local building codes with questions about installation compliance standards. Building and plumbing codes may vary by location, and DreamLine® is not responsible for code compliance standards for your project and will not accept any returns.**
3. If this unit is going to be installed in a new construction, install all of the required plumbing and drainage before installing the shower. **Use a competent and licensed (if required by local code) plumber for all plumbing installation.**
4. Please make sure that prior to beginning the installation, the surfaces are leveled and solid and will be able to support the total weight of the unit. Also make sure the walls are at right angles. Irregular installation surface level, radius corners or improper angle of side walls will result in serious problems for your installation. Please note that some adjustments and drilling may be necessary during the installation process.
5. Please protect all primary surfaces of the product during installation. Never set your glass down directly onto a tile floor. Leave corner protectors in place until necessary to remove them. Always use a piece of wood or cardboard to protect the bottom edge and corners of the glass prior to and during installation.
6. This unit must be installed upon a finished threshold and against finished walls.
7. **This model requires a minimum 1-1/2" of flat threshold space for installation.**

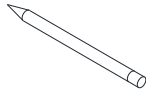
Tools Required



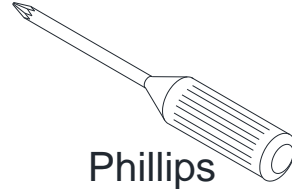
Caulk



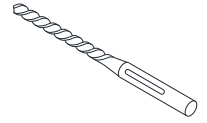
Tape Measure



Pencil



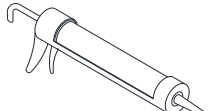
Phillips Screwdriver



Drill bit
(Ø=5/16")



Level



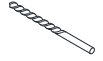
Caulk Gun



Electric Drill



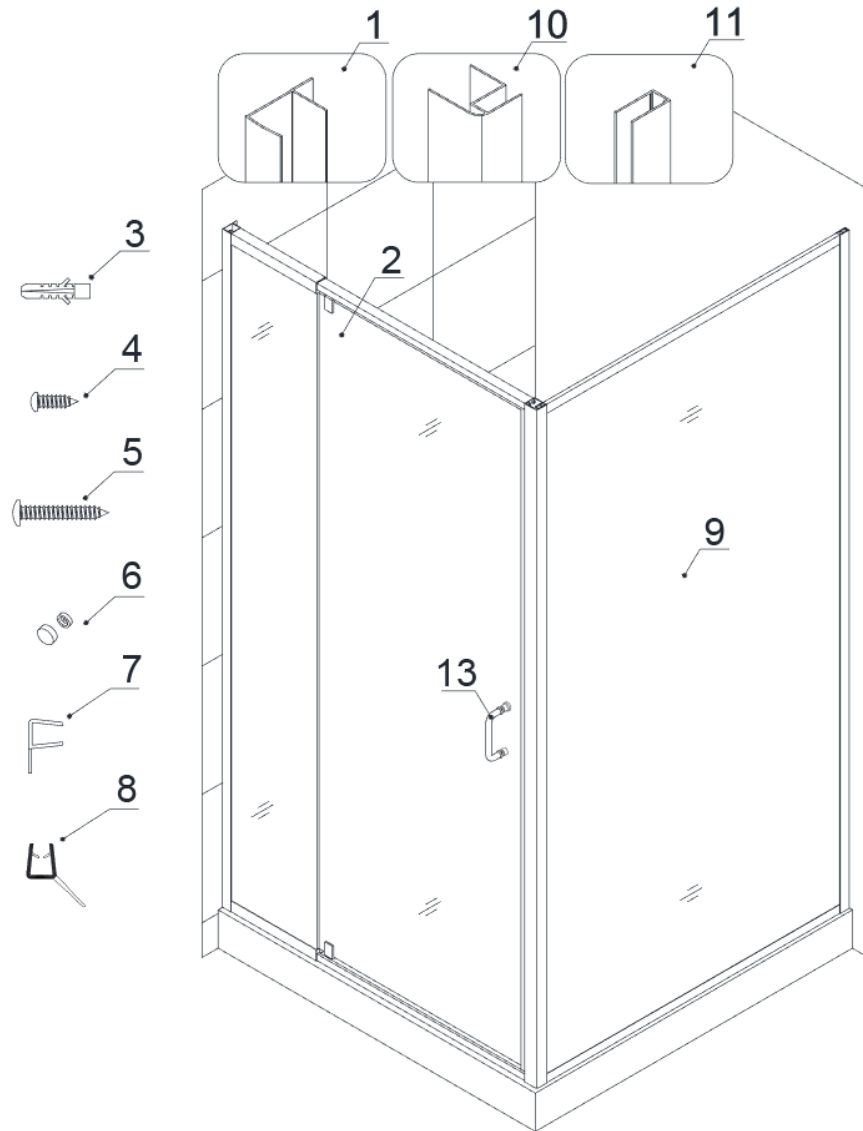
Hammer



Drill bit
(Ø=1/8")

NOTE: This model is reversible for left or right hand installation. This manual will show the left hand installation. For a right hand installation, simply begin on the opposite wall and reverse the orientation of the parts as necessary.

Detailed Diagram of Shower Enclosure Components



Door packing List

01	Wall profile	2pcs*	06	Decorative cover	10pcs
02	Door assembly	1set	07	Flanged anti-water strip	1pc
03	Wall anchor	8pcs	08	Bottom anti-water strip	1pc
04	Round head screws ST4.2×10	10pcs	13	Handle	1pc
05	Round head screws ST4.2×40	8pcs			

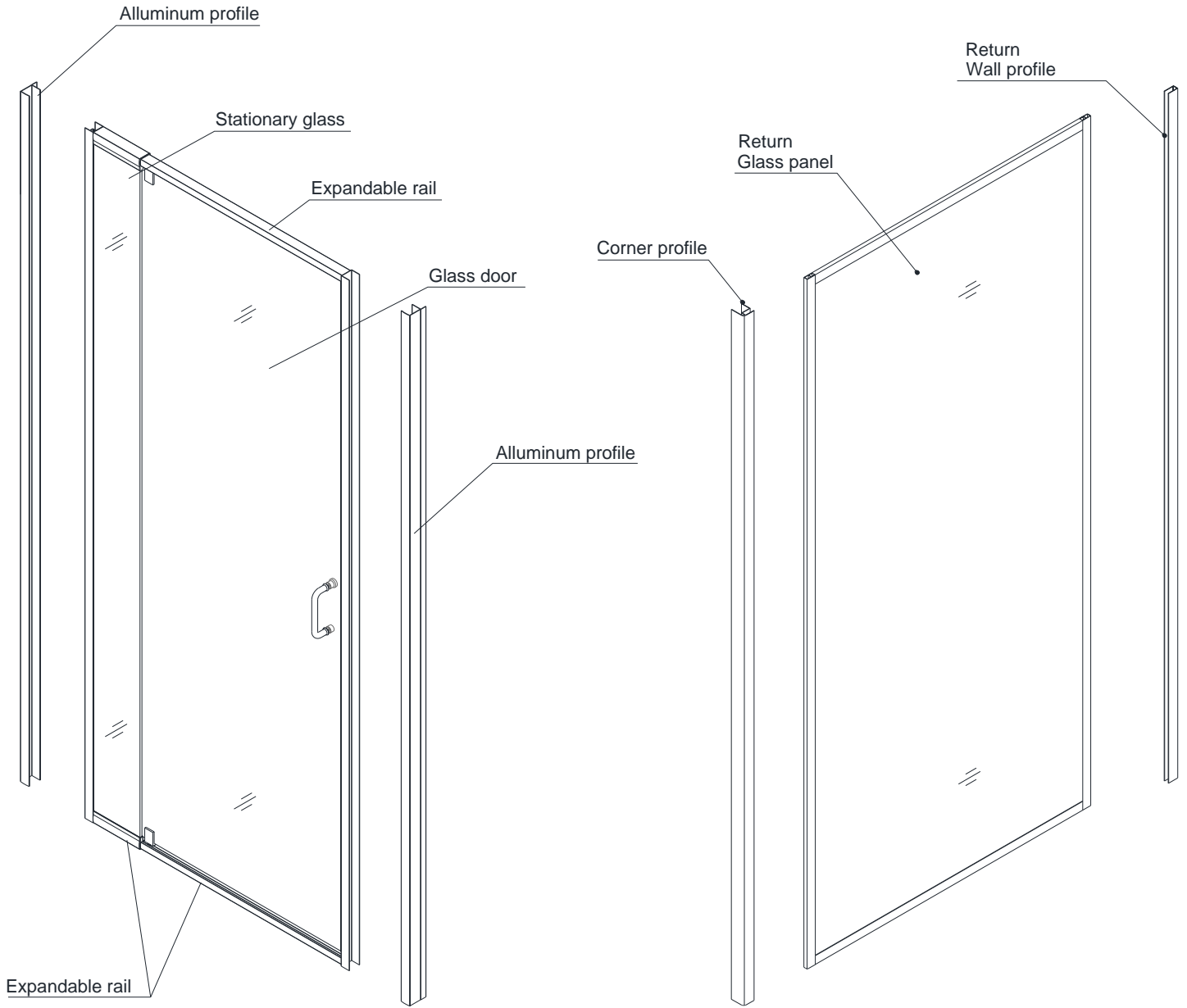
Return panel packing List

04	Round head screw ST4.2x10	6pcs	10	Corner profile	1pc
06	Decorative cover	3pcs	11	Return wall profile	1pc
09	Return glass panel	1pc			

* - Only one wall profile is used with shower enclosure installation

NOTE: Unpack your unit carefully and inspect it. Identify all parts using the detailed diagram and packing list in this manual as a reference. Before discarding the carton, check for small hardware bags that may have fallen to the bottom of the box. If any parts are damaged or missing, please contact DreamLine® for replacement. The shipping boxes may contain extra parts not used in your model configuration. **NOTE:** Retain these installation instructions for future reference.

Door Assembly Diagram



Shower Enclosure Installation

NOTE: The installation of this shower enclosure requires two installers.

NOTE: The shower enclosure can be installed on the shower base or custom threshold.

1. Prior to the Shower door installation, Shower base installation and plumbing must be completed.

See Fig. 1 for details.

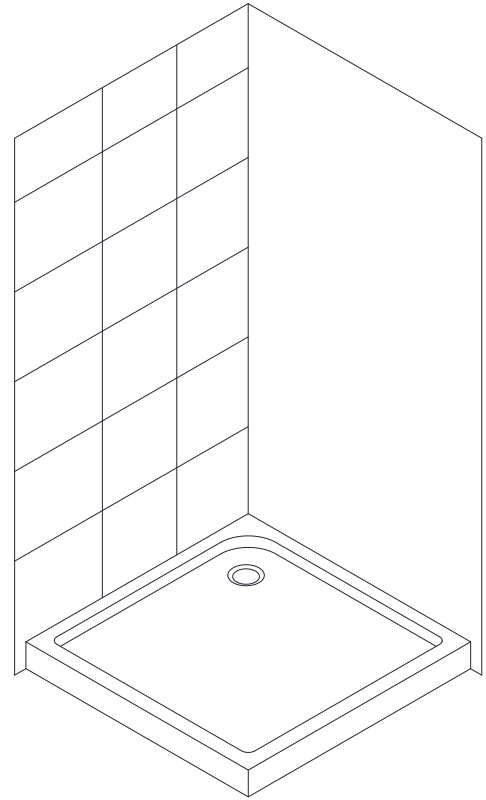


Fig. 1

2. The width of the shower enclosure is adjustable and can be adjusted to the size of your shower base or custom threshold.

Mark position of the **Wall profile (01)** and the **Return wall profile (11)** on the wall according to the model size and dimensions provided in the size table.

Place the **Wall profile** and the **Return wall profile** onto the Shower base or threshold against the finished wall and level it vertically.

See Fig. 2 and table below for details.

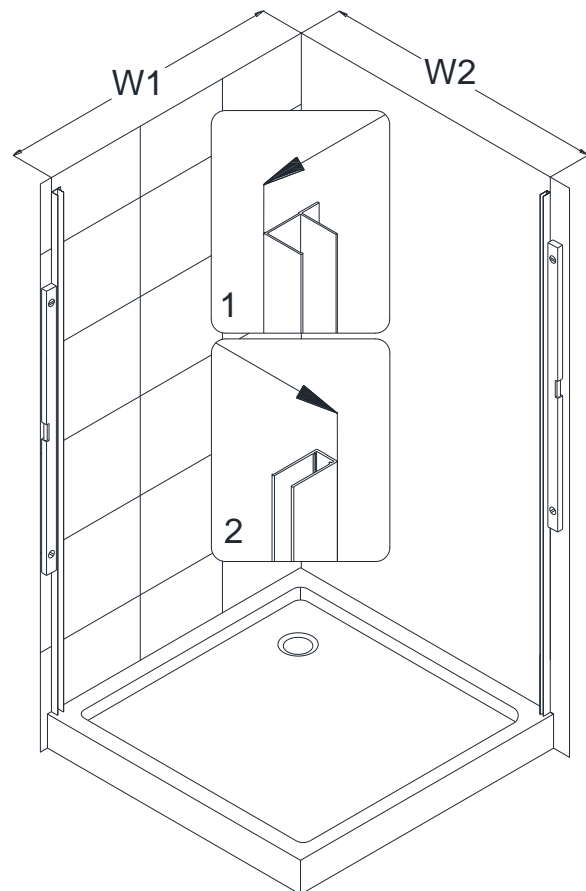


Fig. 2

Model No.	W1	W2
SHDR-2230300-RT-01	30 1/2"	28 1/2" - 32 1/2"
SHDR-2234340-RT-01	34 1/2"	32 1/2" - 36 1/2"

3. Trace the drilling holes on the wall through the predrilled holes in the **Wall profile (01)**.
 Drill the holes on the wall using a **Ø 5/16 drill bit** and insert the **Wall anchors (03)**.
 Apply a bead of silicone to the wall along the drilled holes and around the holes.
 Attach the **Wall profile** to the wall with the **Round head screws ST4.2×40 (05)**.

See Fig. 3 and Fig. 5 for details.

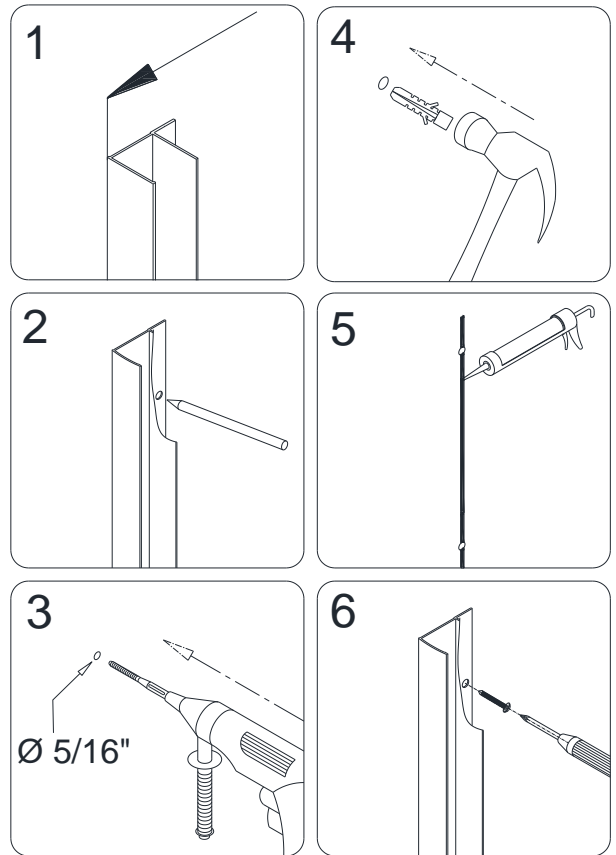


Fig. 3

4. Trace the drilling holes on the wall through the predrilled hole in the **Return wall profile (11)**.
 Drill the holes on the wall using a **Ø 5/16 drill bit** and insert the **Wall anchors (03)**.
 Apply a bead of silicone to the wall along the drilled holes and around the holes.
 Attach the **Return wall profile** to the wall with the **Round head screws ST4.2×40 (05)**.

See Fig. 4 and Fig. 5 for details.

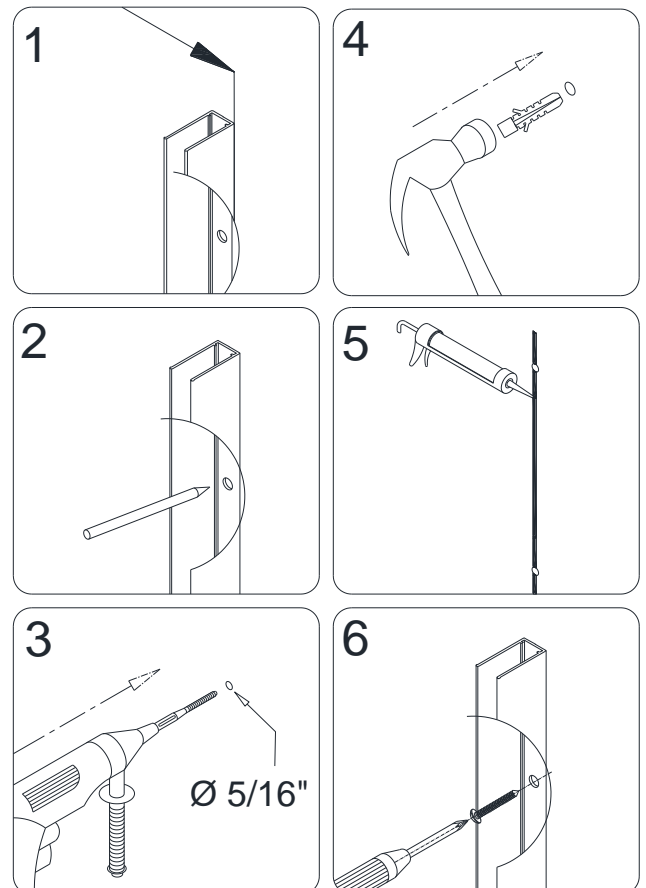


Fig. 4

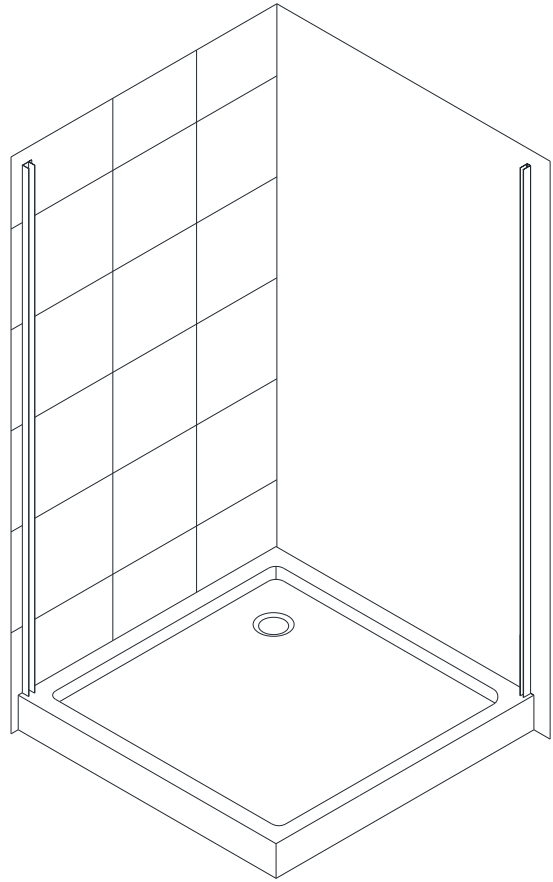


Fig. 5

5. Slide the **Corner profile (10)** over the aluminum vertical edge of the **Return glass panel (09)**. Drill the holes into the aluminum profile on the **Return glass panel** using an **Ø 1/8" drill bit** through the predrilled holes in the **Corner profile**.
Secure the **Corner profile** to the **Return glass panel** with the **Round head screws ST4.2×10 (04)**. Set this **Return glass panel** assembly aside.

See fig. 6 and Fig. 7 for details.

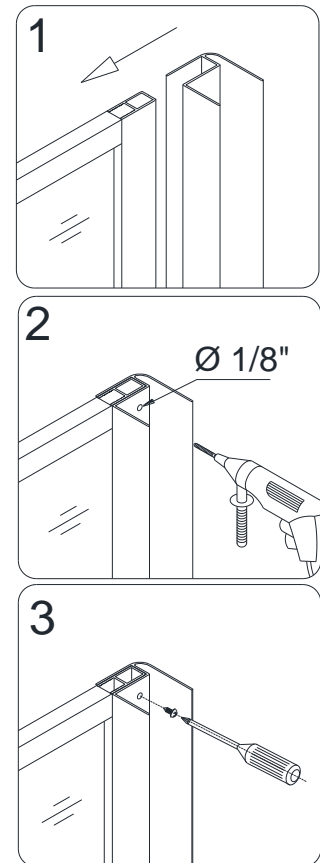


Fig. 6

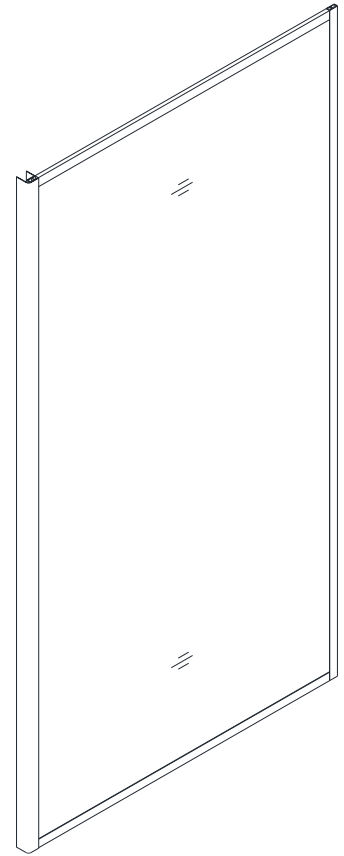


Fig. 7

6. Install the **Handle (13)** onto the **Door assembly (02)**. Move the **Door assembly** onto the Shower base and slide the Stationary glass side into the **Wall profile (01)**.

See Fig. 8 and Fig. 9 for details.

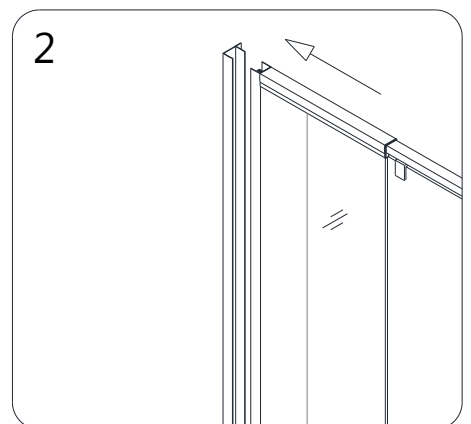
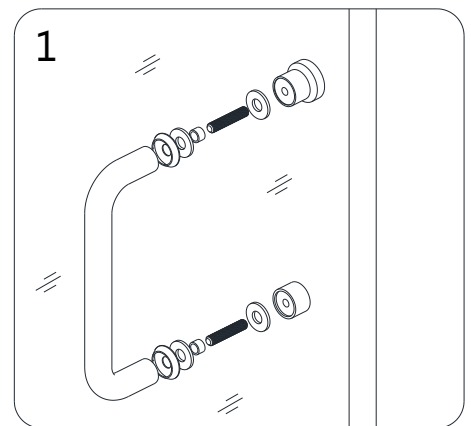


Fig. 8

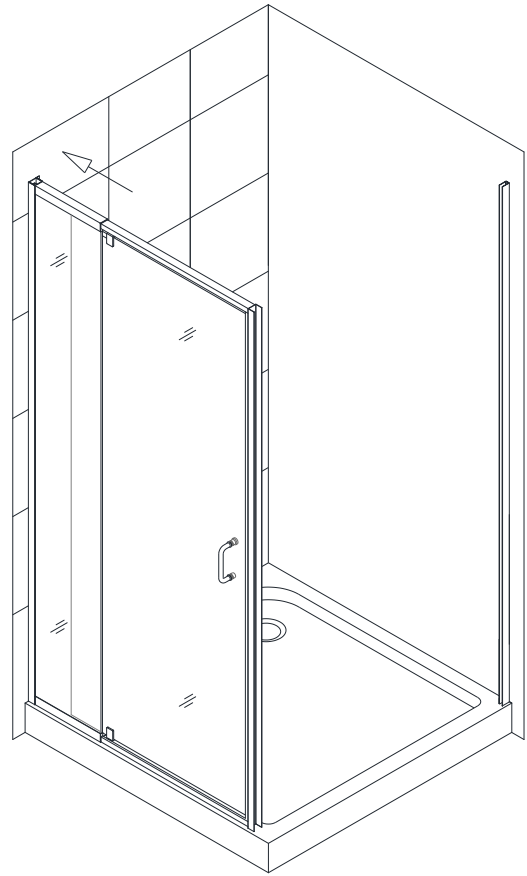


Fig. 9

7. Slide the **Return glass panel (09)** assembly into the groove of the **Return wall profile (11)**.

See Fig. 10 for details.

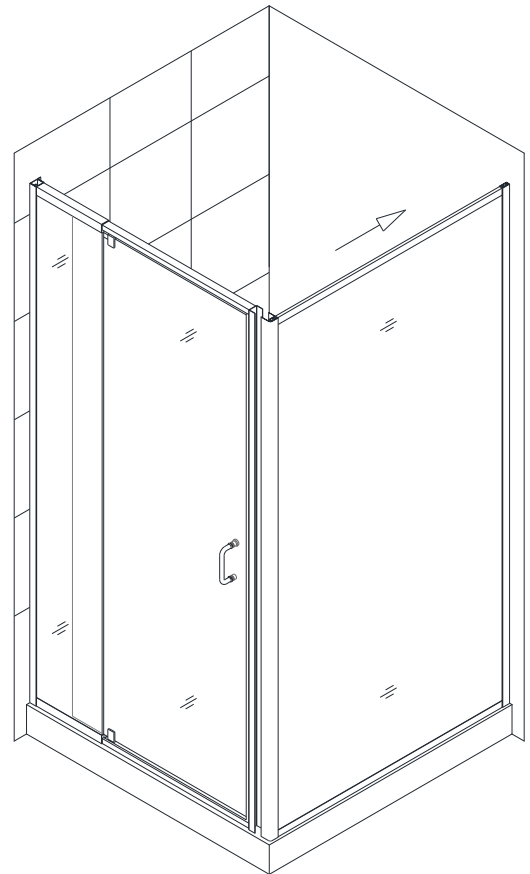


Fig. 10

8. Extend width of the **Door assembly (02)** by stretching the top and bottom Expanding rails toward the **Corner profile (10)**. Insert Glass door side into the **Corner profile**.

NOTICE:

The maximum adjustable length of the Expanding rails is: **4 1/2"**

See Fig. 11 and Fig. 12 for details.

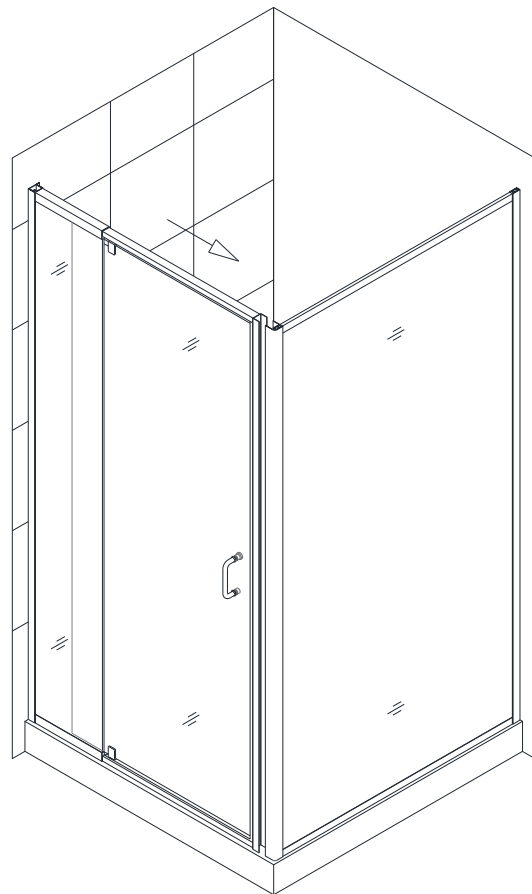


Fig. 11

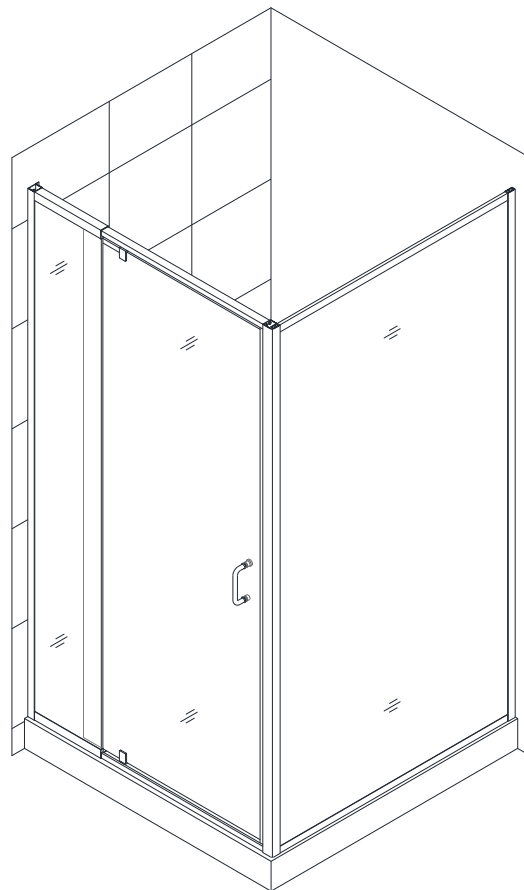


Fig. 12

9. Make sure the **Door assembly (02)** is fully extended inside the **Wall profile (01)** and the **Corner profile (10)**.
Adjust top and bottom Expanding rails to the same length. Use a tape measure for accuracy.

See Fig. 13 for details.

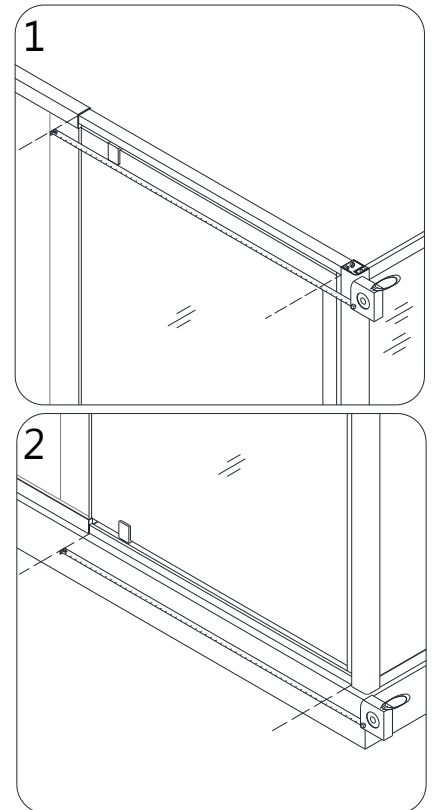


Fig. 13

10. Drill holes in top and bottom Expanding rails through the predrilled holes using an **Ø 1/8" drill bit**.

ATTENTION:

Do not drill the Expanding rail throughout, only the first layer.

Secure the Expanding rails using **Round head screws ST4.2×10 (04)** with the raised white washers.

Cover exposed screw heads with **Decorative covers (06)**.

See Fig. 14 for details.

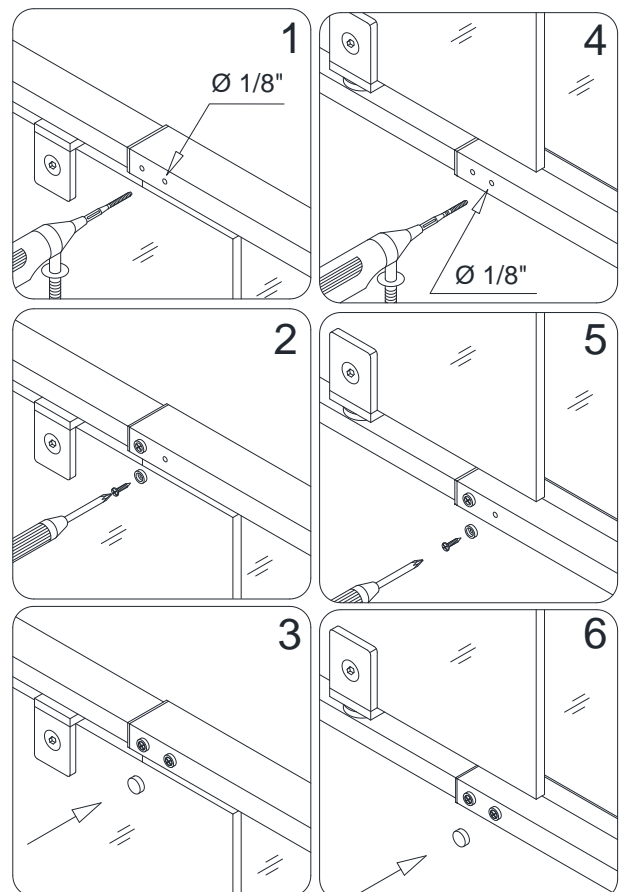


Fig. 14

11. Do the final adjustments to the **Door assembly (02)** and **Return glass panel (09)** if required. Open and close the Glass door to make sure that the magnetic strips are fully attracted to each other. Drill holes into the aluminum profile of the **Door assembly (01)** through the predrilled holes in the **Wall profile (01)** using an **Ø 1/8" drill bit**.

Drill holes into the aluminum profile of the **Return glass panel** through the predrilled holes in the **Return wall profile (11)** using an **Ø 1/8" drill bit**.

ATTENTION:

Do not drill the profiles throughout, only the first layer.

Secure the **Door assembly** and the **Return glass panel** inside the **Wall profile** and **Return wall profile** using the **Round head screws ST4.2×10 (04)** with the raised white washers.

Cover the exposed screw heads with the **Decorative covers (06)**.

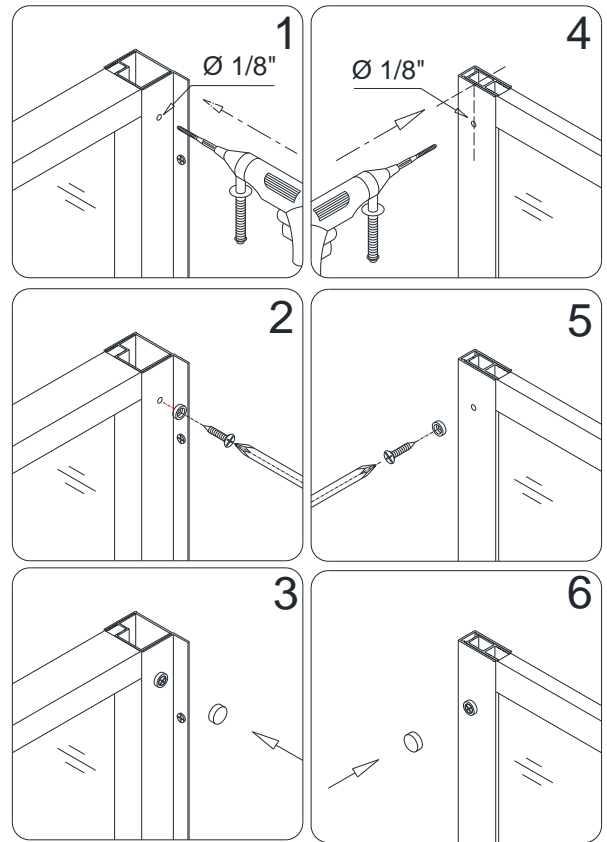


Fig. 15

See Fig. 15 for details.

12. Drill holes into the aluminum profile of the **Door assembly (02)** through the predrilled holes in the **Corner profile (10)** using an **Ø 1/8 drill bit**.

Secure the **Door assembly** inside the **Corner profile** using the **Round head screws ST4.2×10 (04)** with the raised white washers. Cover the exposed screw heads with the **Decorative covers (06)**.

See Fig. 16 for details.

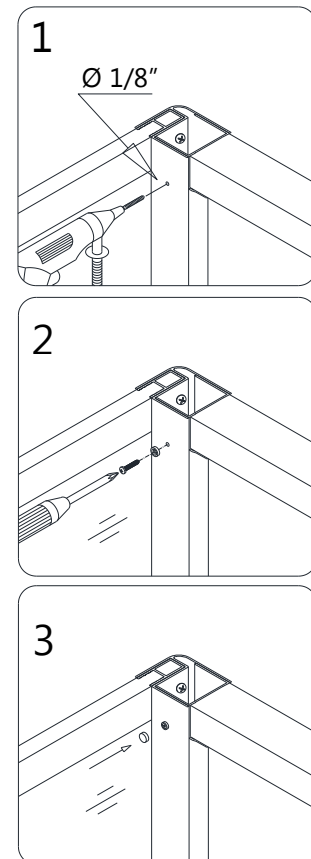


Fig. 16

13. Attach **Flanged Anti-water strip (07)** to the vertical edge of the Stationary glass.

Cut **Bottom Anti-water strip (08)** in two pieces to cover the bottom edge of the door from the pivot to both sides of the Glass door.

Attach both pieces of the **Bottom Anti-water strip** to the bottom edge of the Glass door.

See Fig. 17 for details.

NOTE: Measure to the edge of the door and notch the Bottom anti-water strip (#08) with a razor knife to fit around the magnet strip, leaving the bottom sweep intact.

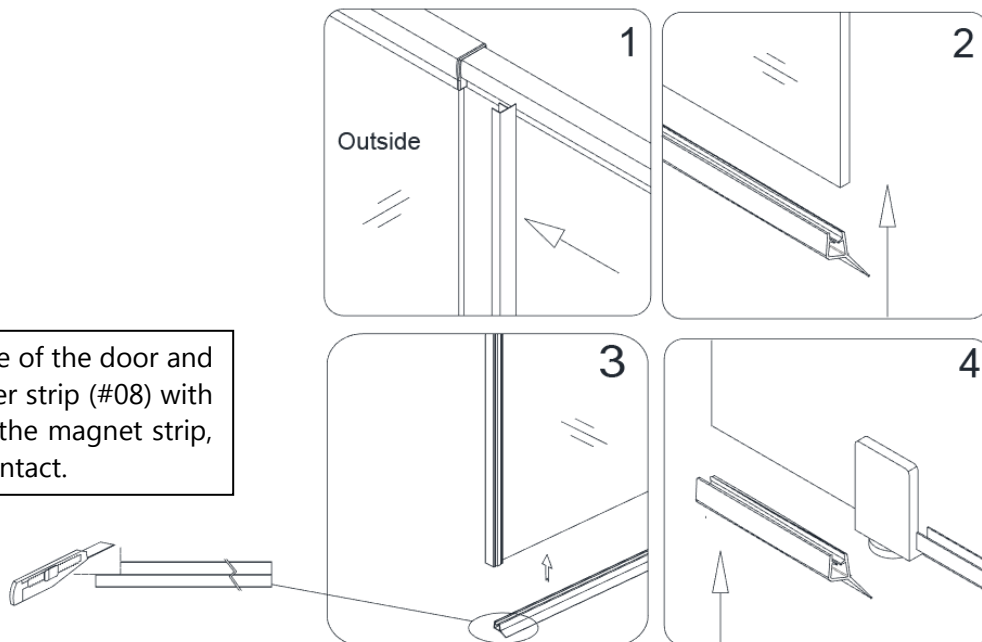


Fig. 17

14. Apply the silicone along the connection edges of the **Wall profile (01)**, **Return wall profile (11)**, bottom Expanding rail and the base of the **Return glass panel (09)** from both inside and outside the shower.

See Fig. 18 for details.

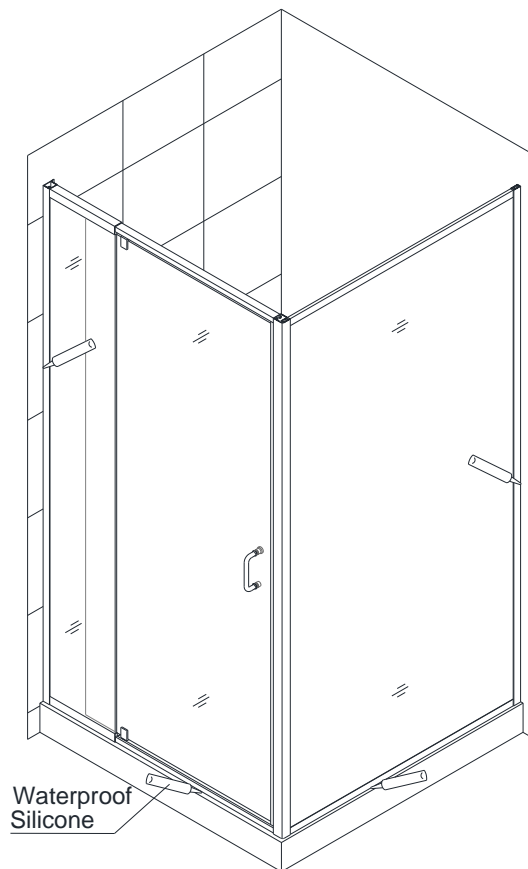


Fig. 18

Product Maintenance

BASES and BACKWALLS: To ensure long lasting life for your acrylic back walls: wipe them off after each use with a soft cloth. To clean the acrylic back walls use non-abrasive sprays or cream based cleaners. Avoid the use of aerosol spray cleaners. Never use abrasive cleansers, metal brushes or scrapers that could scratch or dull the surface.

GLASS: To ensure long lasting life for your glass shower products: wipe them off after each use with a soft cloth. Rinse and wipe off the glass using either a soft cloth or a squeegee to prevent soap buildup and water spots (Hard water can etch the surface of the glass over time if left to dry). To prevent scratching the surface: never use abrasive cleaners or cleaning products that contain scouring agents. Never use bristle brushes or abrasive sponges that may scratch the surface.

HARDWARE: To ensure a long lasting finish: wipe off the metal parts after each use with a soft cloth. Do not use abrasive cleaners or cleaning products containing ammonia, bleach or acid. If accidentally used, rinse the surface as soon as possible to prevent damage to the finish (peeling or corrosion). After cleaning the polished finishes, rinse thoroughly and wipe dry with soft cloth. Clean stainless steel surfaces at least once a week. When applying stainless steel cleaner or polish to stainless steel hardware, work with (not across) the grain. Never use an abrasive sponge or cloth, steel wool or wired brush as these may permanently scratch the surfaces.



TEL: [866-731-2244](tel:866-731-2244)

FAX: [866-857-3638](tel:866-857-3638)

DREAMLINE.COM

For more information on [DreamLine® Shower Doors](#) and [Enclosures](#) please visit DreamLine.com