

Decorative mantel ledge installation

This kit includes:

- One (1) shelf
- Four (4) screws
- Four (4) plugs
- Two (2) wood blocks

Tools suggested for this installation

(not included in this package):

- Power drill, 3/8" drill bit, Phillips screwdriver, level

Assembly time

15 minutes

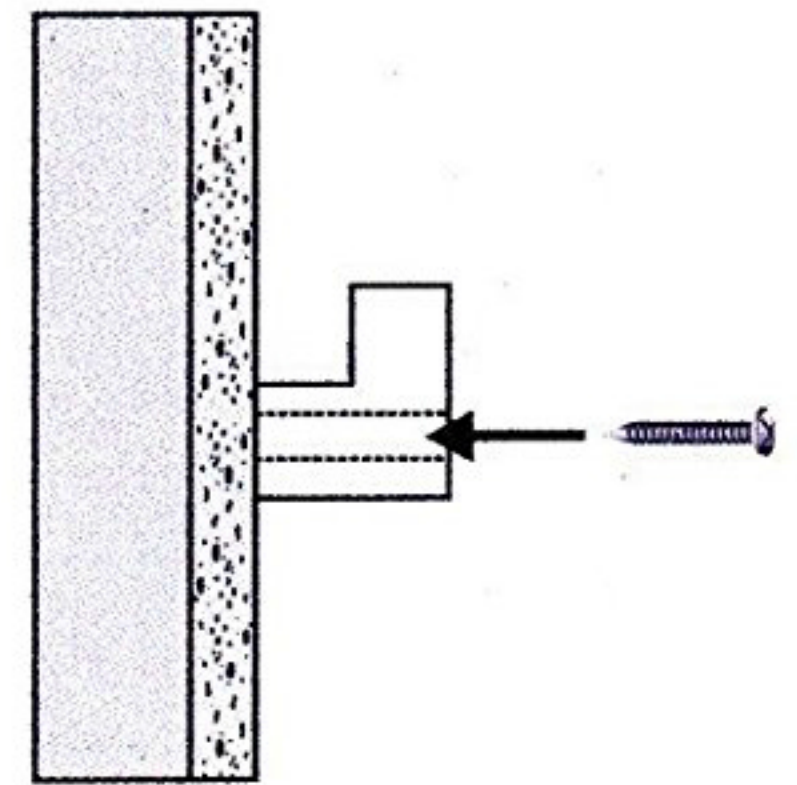
Note:

Diagram shown may not be an exact representation of the product in the packaging.

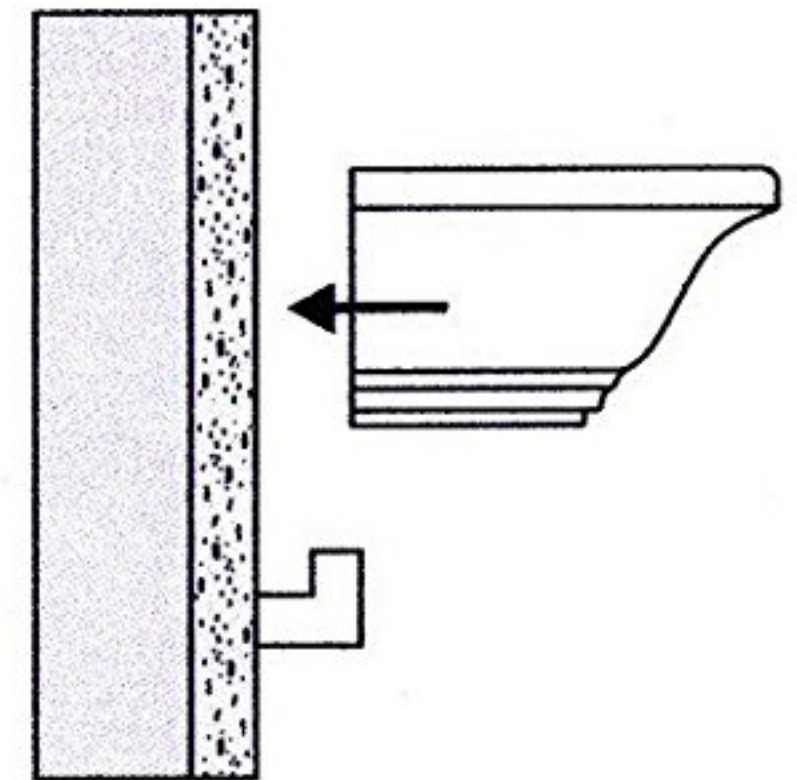
Suggested Tools



1. Mark out the locations for the installation blocks to be mounted. Make sure the blocks are level and far apart enough that the ledge can be well supported at each end. Blocks are preferably installed into studs in the wall. Please refer to diagram of how the blocks should be installed.



2. Mount the ledge over the blocks, making sure the groove on the under side of ledge sit tightly into the blocks by tapping ledge downward slightly.



3. For strengthened stability, a small nail (not provided) is optional to be tapped down through the top of the shelf into the blocks.

