

**FEATURED MODEL**

522259 Single, 8-5/8" bowl depth, ANTHRACITE

**ADDITIONAL MODELS**

- 522427 Single, 8-5/8" bowl depth, CINDER
- 522433 Single, 8-5/8" bowl depth, CAFE BROWN
- 522428 Single, 8-5/8" bowl depth, METALLIC GRAY
- 522432 Single, 8-5/8" bowl depth, TRUFFLE
- 522429 Single, 8-5/8" bowl depth, WHITE
- 522430 Single, 8-5/8" bowl depth, BISCUIT
- 522431 Single, 8-5/8" bowl depth, BISCOTTI

**FEATURES**

- Required outside cabinet: 30"
- 80% solid granite
- Heat resistant up to 536°F
- Unsurpassed cleanability backed by industry leading 7 patents!
- Resistant to scratches, stains and all household acids and alkali solutions
- Template provided with approximate 1/8" reveal
- Undermount clips provided
- Limited lifetime warranty

**OPTIONAL ACCESSORIES**

Sink Grid: 234059

**CODE/STANDARDS COMPLIANCE**

ANSI Z124.6-97  
 IAPMO/UPC listed

**WARRANTY**

BLANCO'S SILGRANIT II Series sinks feature a LIMITED LIFETIME WARRANTY to be free of all manufacturing defects under normal use. See our complete warranty for details.

While BLANCO endeavors to provide accurate information, all dimensions are nominal, cannot be guaranteed, and are subject to change or cancellation. BLANCO assumes no responsibility for use of superseded or voided specifications.

**JOB INFORMATION**

Job Name: \_\_\_\_\_

Contact: \_\_\_\_\_

Date Specified: \_\_\_\_\_

Specifier: \_\_\_\_\_

Contractor: \_\_\_\_\_

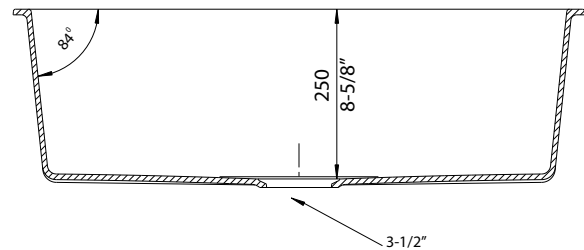
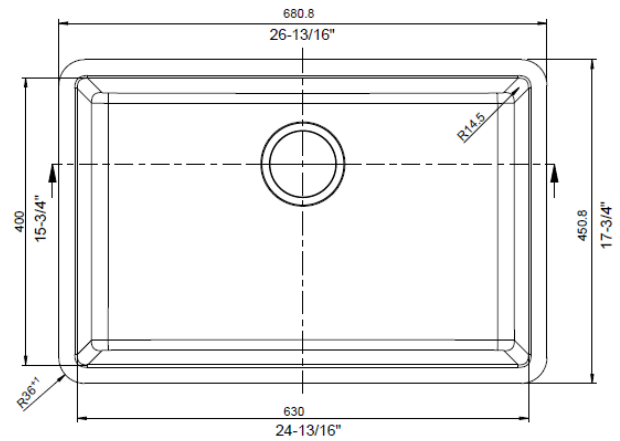


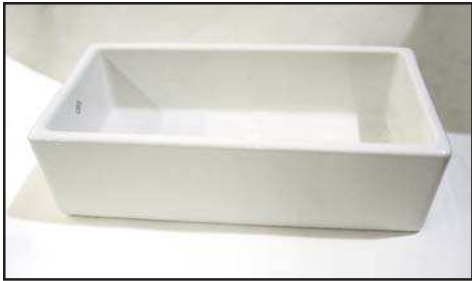
Model 522433 shown

**NOMINAL DIMENSIONS**

OVERALL	CUTOUT SIZE	BOWL DEPTH	DRAIN DIAMETER
26-13/16" X 17-3/4"	Template provided with approximate 1/8" reveal	8-5/8"	3-1/2"

DXF cutout templates available on our website.





## Shaw's Original Fireclay Kitchen Sink

ROHL Kitchen Sinks

### RC3618

#### FEATURES

- Acid and alkali resistant glazed surfaces
- Designed to withstand heavy use
- No overflow
- Offset drain opening
- Standard 3 1/2" drain opening
- 1 1/4" drain thickness
- Due to  $\pm 2\%$  dimensions, it is recommended that the cabinet maker wait until your sink is delivered to make the cabinet
- Includes "Shaws Original" badge
- Weight 165 lbs.

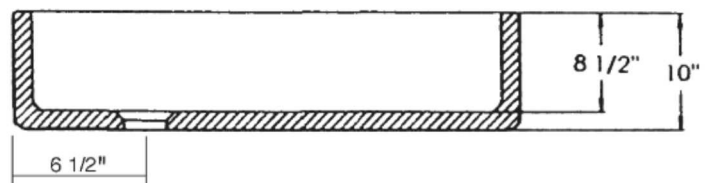
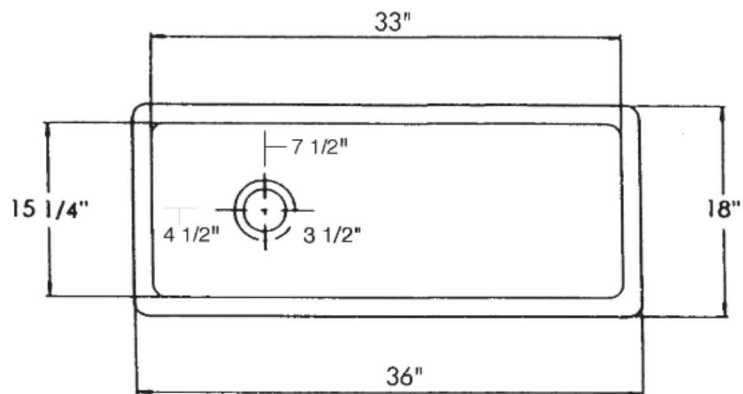
\*NOTE: Due to sink thickness, ISE-type Disposal with Extended Flange #ISE10082 or ROHL 733 Basket Strainer is recommended

#### COLORS

- White
- Biscuit

#### WARRANTY

- 1 year on manufacturing defects
- 10 years on fading/staining



## Suggested Installation Tips for your new Shaws Original Apron Front Sink



1. Dimensions are plus or minus 2%: Inspect your sink. No two sinks are alike and you should inspect your sink upon delivery. The sides and top of the sink should be square within the 2% tolerance. The bottom of the internal sink bowl is designed flat with a slight graduated drain. Testing the sink for drainage is recommended. Shimming the sink may be needed to drain properly.
2. The installation should be for new construction only. The cabinet design requires reinforcing to hold a 190 lb. sink and water. A 3/4" plywood deck or a frame support are common. Give consideration for shimming.



3. The most common installation design is undermounted below the solid surface. Using the sink to be installed, measure where to install the support frame. (Fig.1) Shimming may be necessary to move the sink up to the solid surface or to make the sink drain properly. A reveal of 1" to 2" inches is common. (Fig. 2)



(Fig. 1)

(Fig. 2)

4. Design the sink counter top to leave room for the installation of faucets and accessories.



5. Design the cabinet frame separately from the cabinet fascia. The support frame or base should be designed to support the sink on the sides and the back. The cabinet trim that frames the sink can then be custom fit around the corners.