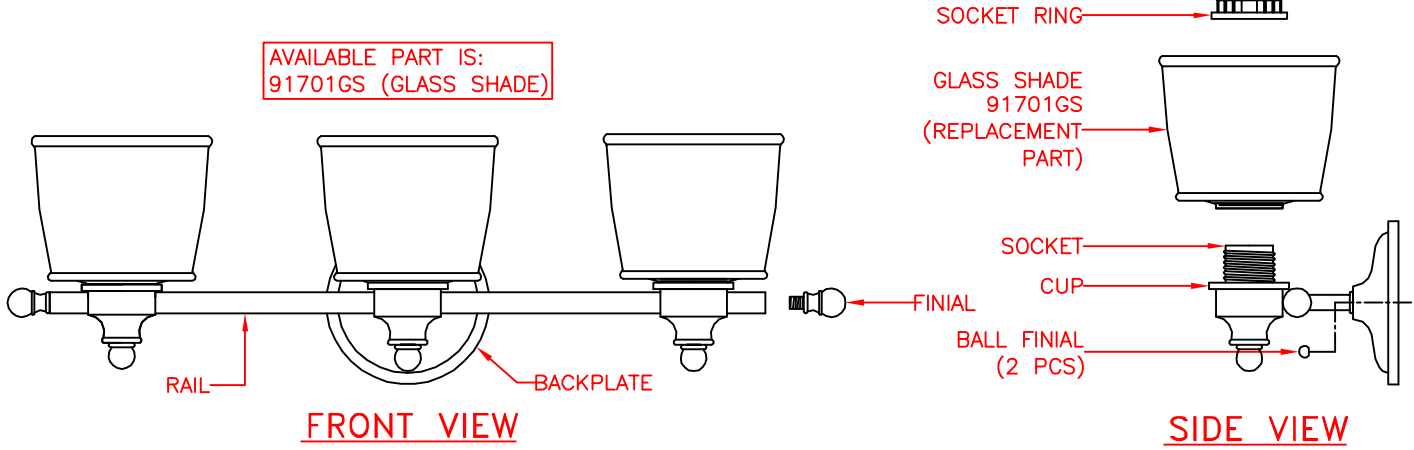


THIS VANITY CAN BE MOUNTED UP OR DOWN



PRODUCT SPECIFICATIONS

- OVERALL ASSEMBLED DIMENSIONS**
HEIGHT: 19 CM (7-1/2"), WIDTH: 61.3 CM (24-1/4"), EXTENSION: 18.2 CM (7-1/4").
- 3 LIGHTS:** UL LISTED. 120V, 60HZ, 100 WATT. MEDIUM BASE E-26 CERAMIC SOCKET WITH OUTSIDE THREADS. (3) METAL SOCKET RING ARE PROVIDED.
- BACKPLATE:** PLATED STEEL, 12.5 CM (4-7/8") DIA. x 3.5 CM (1-3/8") HEIGHT.
- CUP:** PLATED STEEL, 6.1 CM (2-7/16") DIA. x 4.8 CM (1-7/8") HEIGHT. SHAPED AS SHOWN.
- GLASS SHADE:** OPAL GLASS SHADE, 13.8 CM (5-1/2") DIA. x 11.7 CM (4-9/16") HEIGHT. SHAPED AS SHOWN. GLASS SHADE SHOULD FIT SNUG AND STRAIGHT WHEN ATTACHED.
- RAIL:** PLATED STEEL, 1.6 CM (5/8") DIA. x 54.8 CM (21-9/16") LENGTH.
- SUPPLY WIRE:** UL LISTED. 18 AWG, 150°C, MUST EXTEND A MINIMUM OF 15.2 (6") PAST CENTER OF BACKPLATE. COPPER MATERIAL. WIRES MUST BE LEAD FREE.
- LABELS:** UL AND CSA OR CUL, MANUFACTURE DATE, MODEL # AND COUNTRY OF ORIGIN LABELS PROVIDED ON INSIDE OF BACKPLATE. RELAMPING LABEL FOR 100 WATT TYPE "A" BULB PROVIDED ON INSIDE OF CUP. RELAMPING LABELS ARE NOT ALLOWED TO BE PLACED ON THE OUTSIDE OF THE PRODUCT OR CUP.

PACKAGING AND SHIPPING

- THE ITEM IS DISASSEMBLED FOR SHIPPING AS SHOWN. EACH PART IS SECURED SO THEY CAN NOT MOVE DURING SHIPPING.
- HARDWARE PACK #005 PROVIDED. ENTIRE FIXTURE IS COVERED IN A CLOSED PLASTIC BAG WITH A SMALL BAG OF SILICA INSIDE.
- THE CARTON IS MADE OF DOUBLE WALL CORRUGATED CARDBOARD "A MA A". BROWN IN COLOR. THE INNER PACKING IS DIE-CUT CARDBOARD OR STYROFOAM TO PROTECT AND SECURE THE FIXTURE AND MUST PASS THE FEDEX & ISTA-3A DROP TEST REQUIREMENTS.
- EACH CARTON SHALL BE PRINTED WITH A LINE DRAWING AND THE KENROY HOME NAME AND LOGO, MODEL NUMBER AND FINISH, EACH CARTON SHALL BE PROVIDED A UPC LABEL. THE UPC BAR CODE AS FOLLOWS: CH=053392042905.

OTHER DETAILS:

- ENTIRE BACKPLATE ASSEMBLY MUST SIT FLUSH AGAINST WALL SURFACE.
- ALL VISIBLE METAL PARTS MUST MATCH FIXTURE FINISH UNLESS OTHERWISE SPECIFIED.
- MODEL 91703CH INSTRUCTIONS ARE TO BE PRINTED CLEARLY ON QUALITY PAPER AND PACKED WITH EACH FIXTURE.
- ALL BAGS MUST BE LABELED WITH OFFICIAL "THIS BAG IS NOT A TOY" STATEMENT.
- ASSEMBLY TIME: 10 MINUTES.
- THIS ITEM MUST BE UL APPROVED FOR DAMP LOCATION, THE UL NUMBER IS E314733.
- DIMS OF UNIT BOX: 63 CM (24-13/16") LENGTH x 23 CM (9") WIDTH x 25 CM (9-7/8") HEIGHT.
- DIMS OF MASTER BOX: 64.5 CM (25-3/8") LENGTH x 48 CM (18-7/8") WIDTH x 52 CM (20-1/2") HEIGHT. (4 PCS/CTN)
- NET WEIGHT (UNIT): 3.9 LBS. GROSS WEIGHT (UNIT): 6.9 LBS.
- NET WEIGHT (MASTER): 15.6 LBS. GROSS WEIGHT (MASTER): 32.2 LBS. (4 PCS/CTN)

KENROY HOME 3723 Regent Boulevard JACKSONVILLE, FL. 32224 PHONE: 904-642-4340 FAX: 904-642-4150	THIS DOCUMENT AND THE INFORMATION THAT IT DISCLOSES IS THE EXCLUSIVE PROPERTY OF KENROY HOME. ANY REPRODUCTION OR USE OF THIS DRAWING IN PART OR IN WHOLE, WITHOUT THE EXPRESS CONSENT OF THE PROPRIETOR IS PROHIBITED. © 2010 KENROY HOME.			REVISION DATE: 5/10/2013 add package drawing	MODEL #: 91703
	DATE: 1/19/2010	SCALE: NONE	DRAWN BY: JAMES	REVISION DATE: 9/22/2015 add notes	FINISH: CH
	REFERENCE: RILEY 3 LIGHT VANITY			REVISION DATE: 3/9/2017 add notes	PAGE: 1 OF 1
				APPROVAL:	