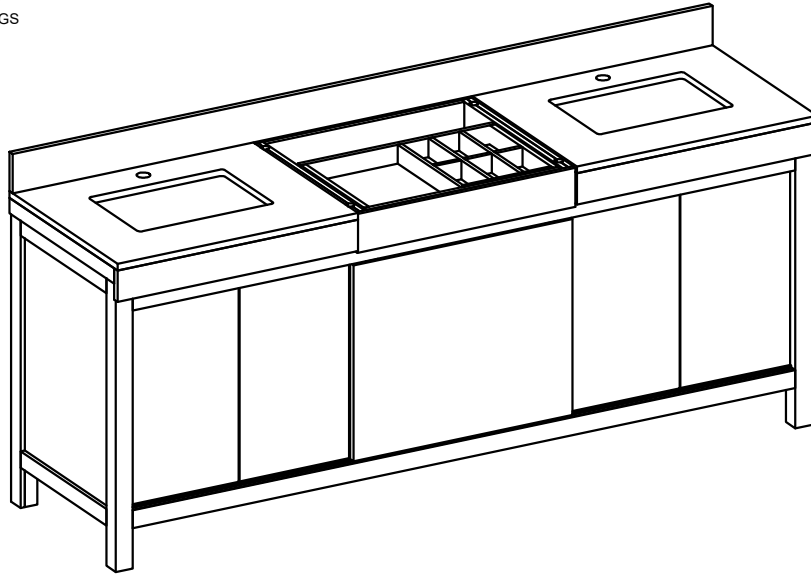




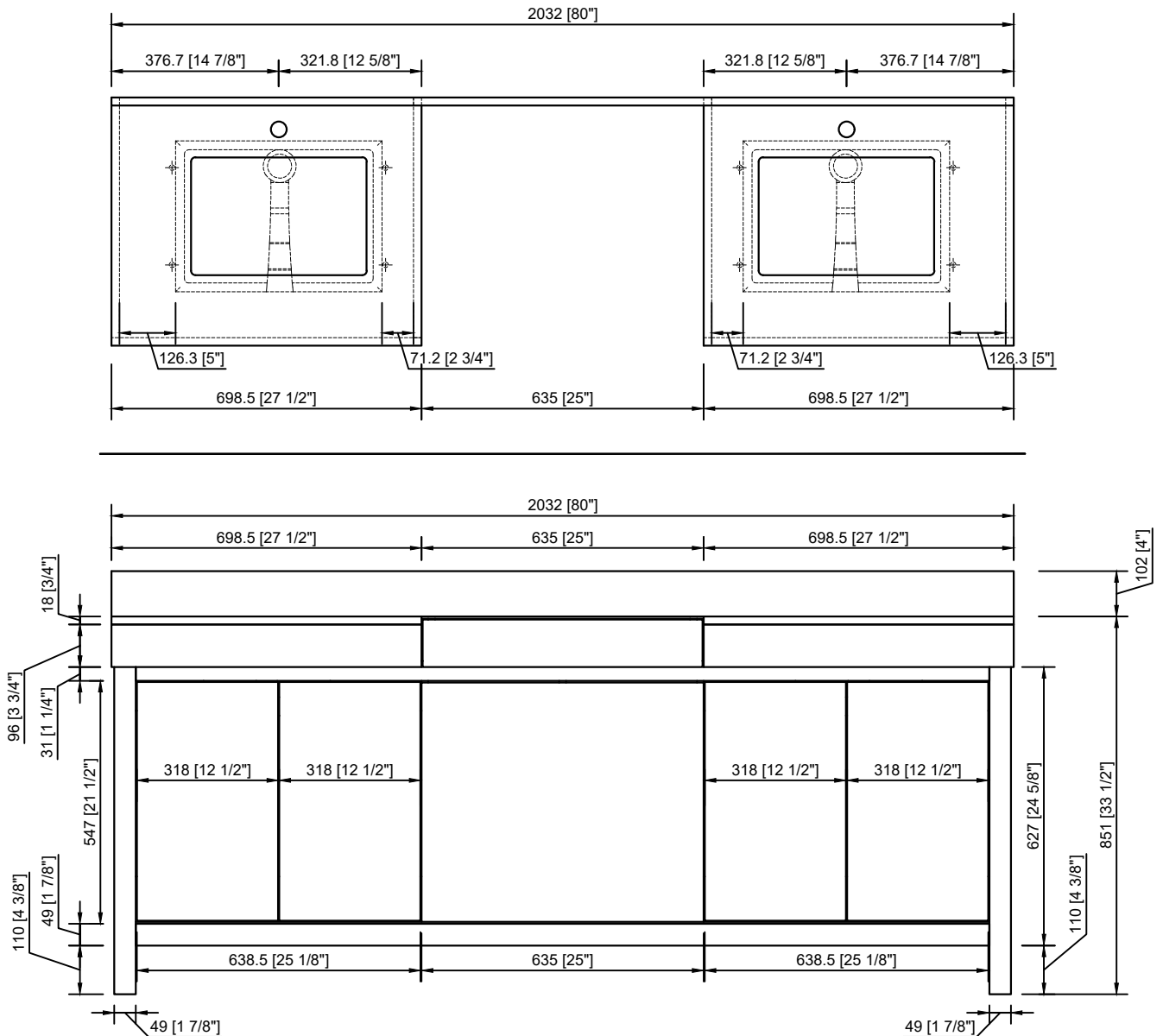
# LEXORA

HOME DECOR & HOME FURNISHINGS

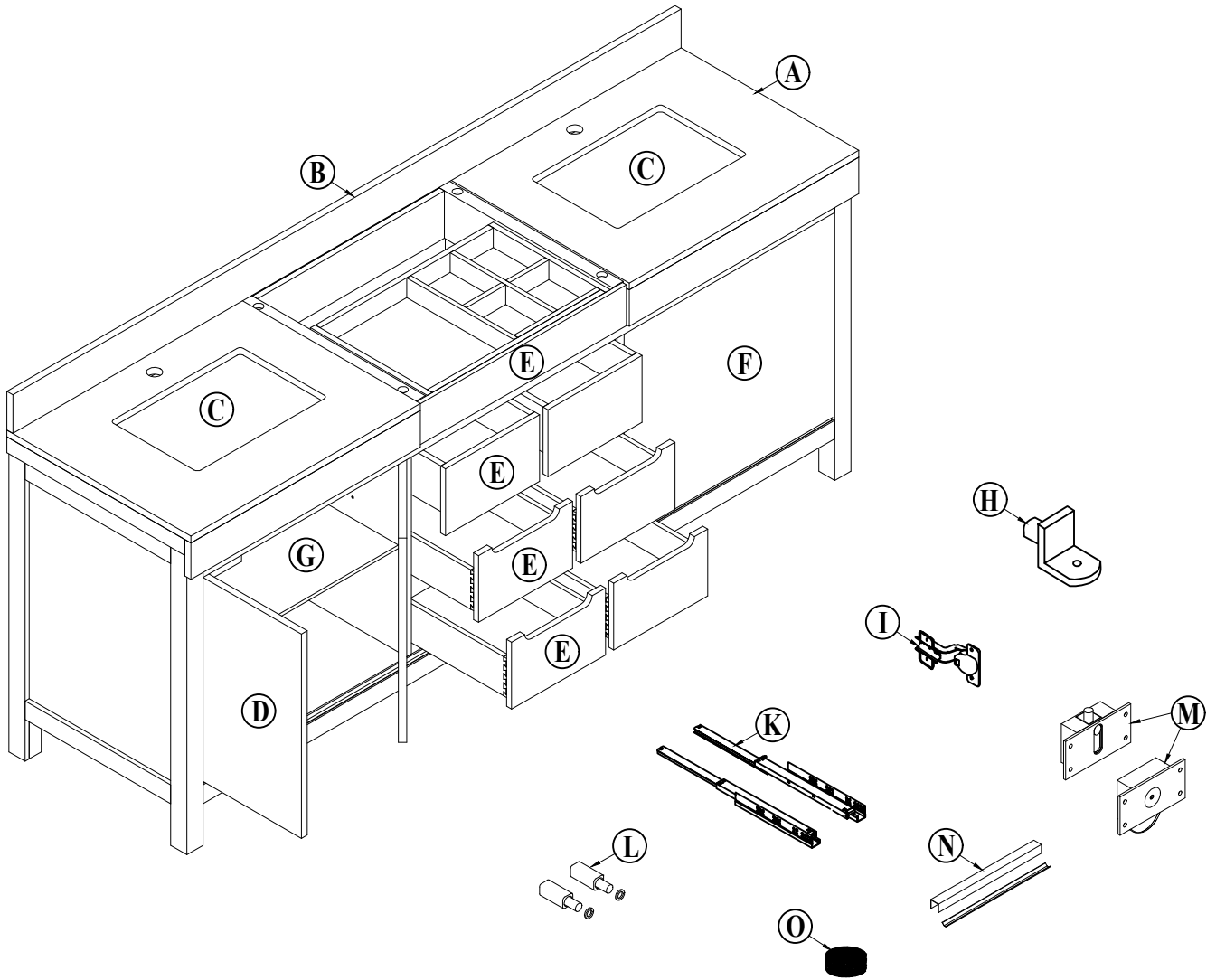
# ZILARA-80"



## DIMENSIONS



# PART LIST



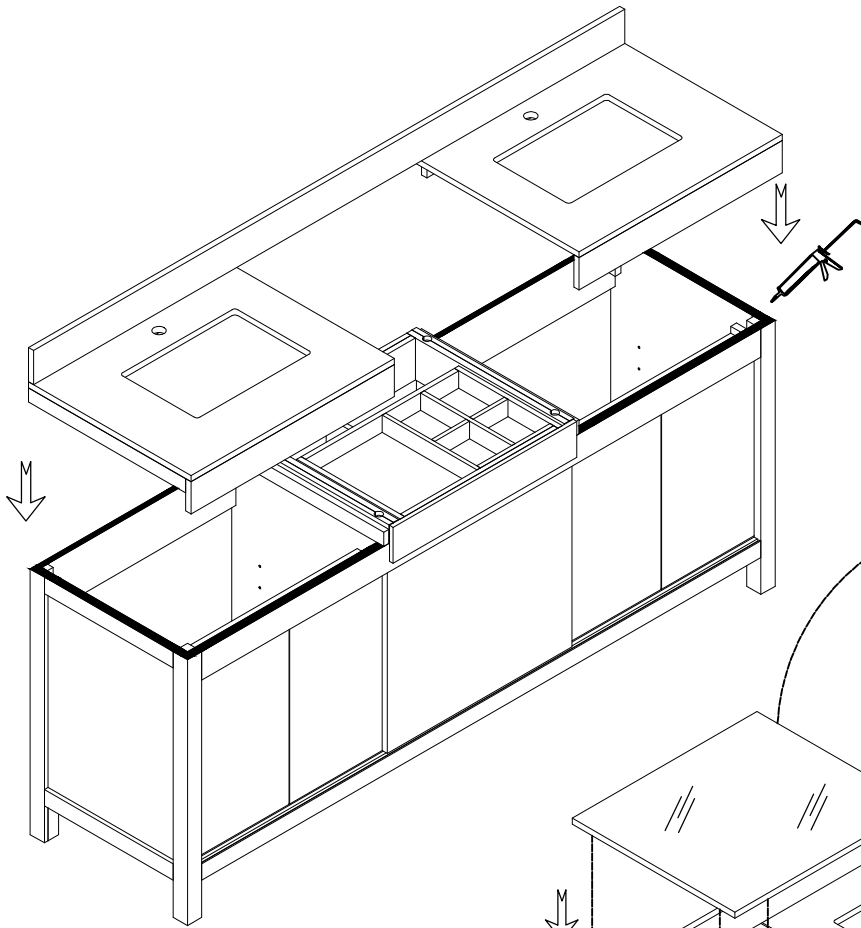
PART	DESCRIPTIONS	QTY
<b>A</b>	Marble Countertop	2 PCS
<b>B</b>	Back Splash	1 PC
<b>C</b>	Washbasin	2 PCS
<b>D</b>	Door	2 Set
<b>E</b>	Drawer	7 PCS
<b>F</b>	Sliding Door	1 PC
<b>G</b>	Adjustable Shelf	2 PCS

PART	DESCRIPTIONS	QTY
<b>H</b>	Shelf Holder	8 PCS
<b>I</b>	Hinge	8 PCS
<b>K</b>	Drawer Glides	7 Set
<b>L</b>	Piston	4 Set
<b>M</b>	Door Glide/Insert	1 Set
<b>N</b>	Wheel Track	1 Set
<b>O</b>	Metal Insert	4 PCS

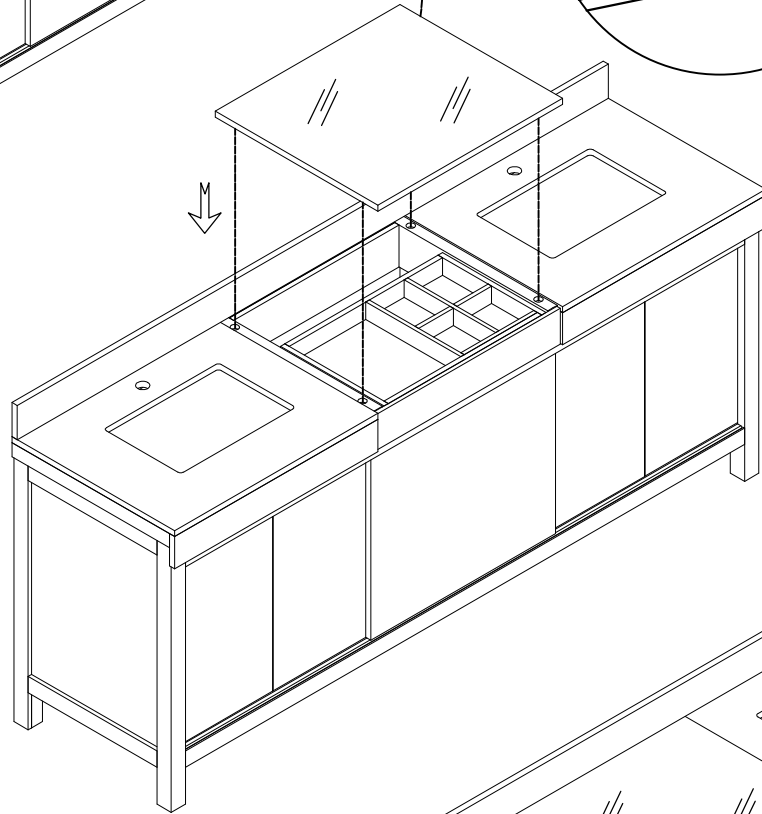
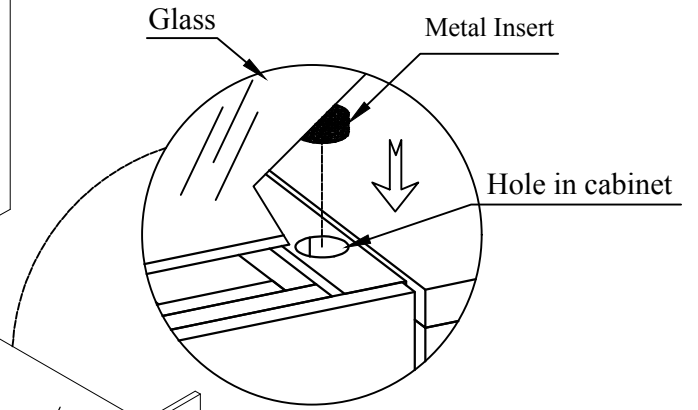
# INSTALLATION



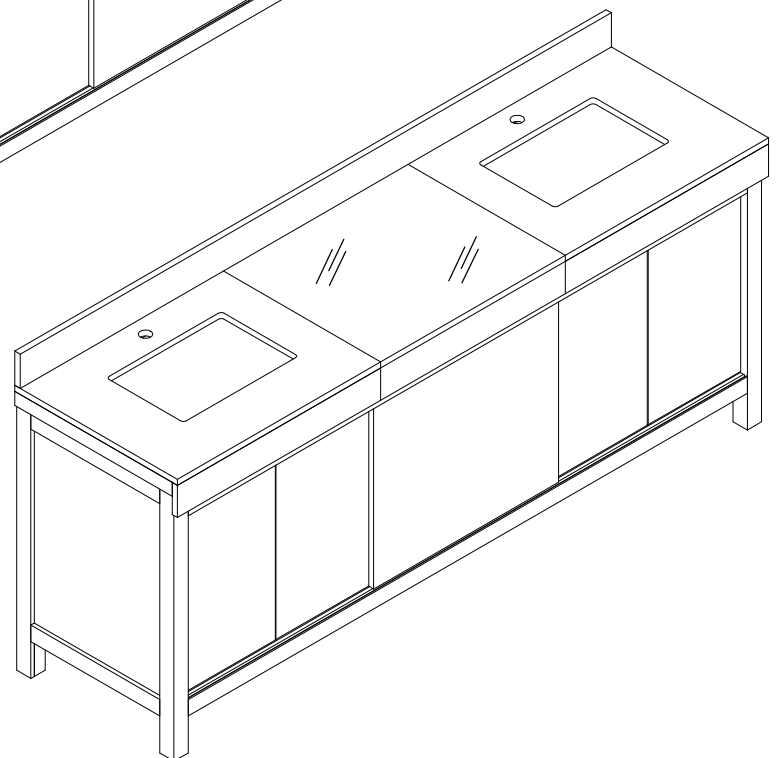
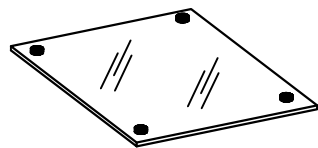
24!



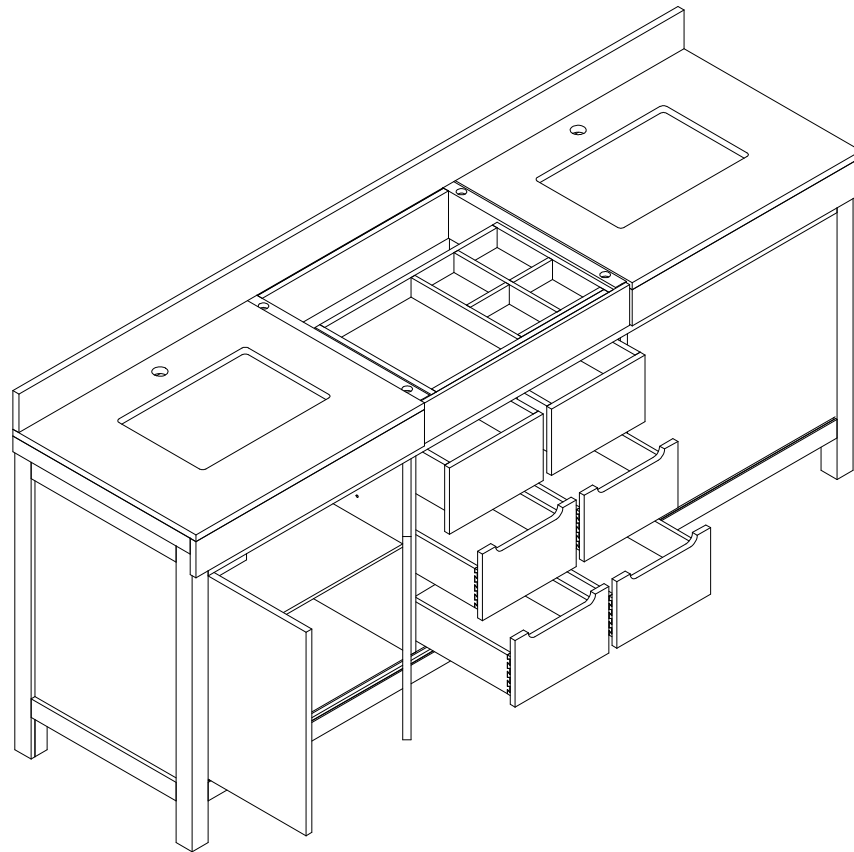
**STEP 1**



**STEP 2**

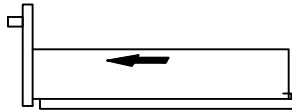


# DRAWER

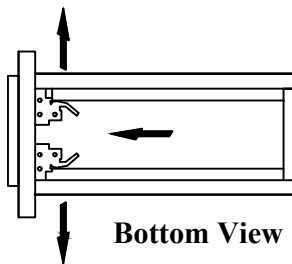


## REMOVE

1



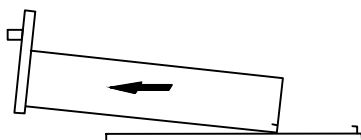
2



3

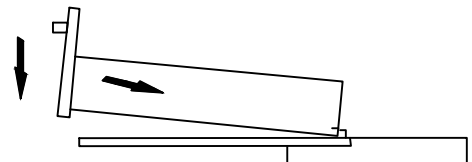


4

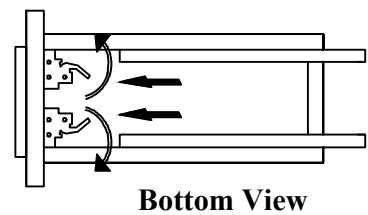


## INSTALL

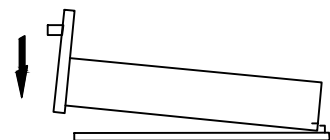
1



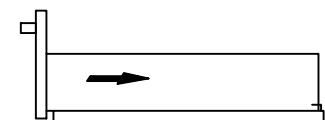
2



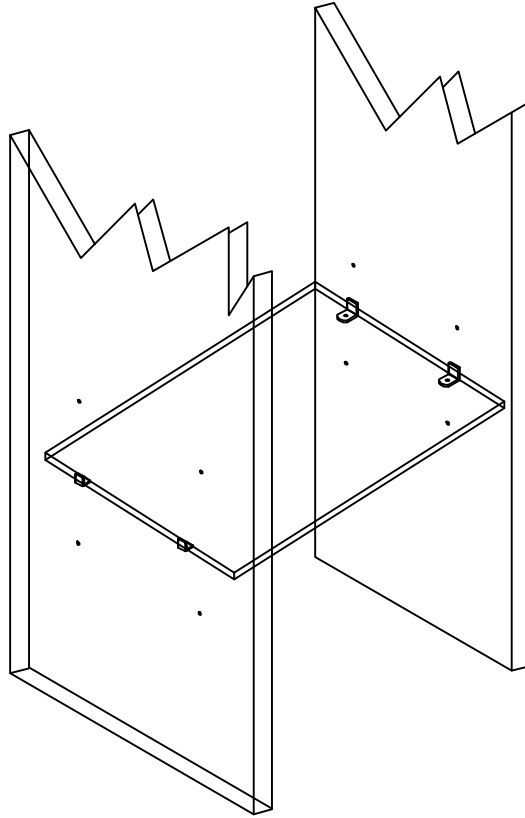
3



4

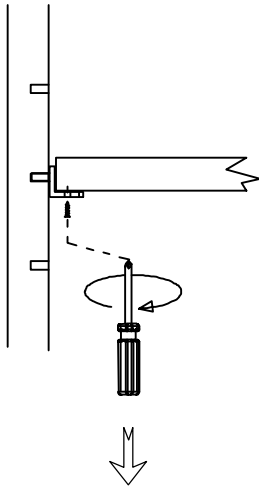


# SHELF

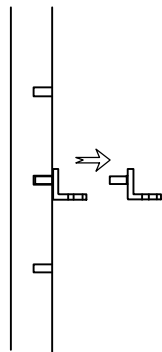


## REMOVE

1

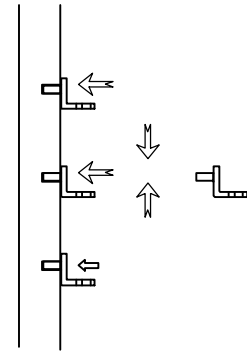


2

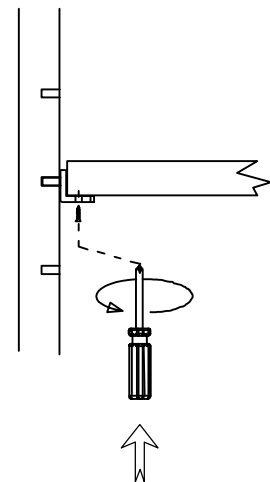


## INSTALL

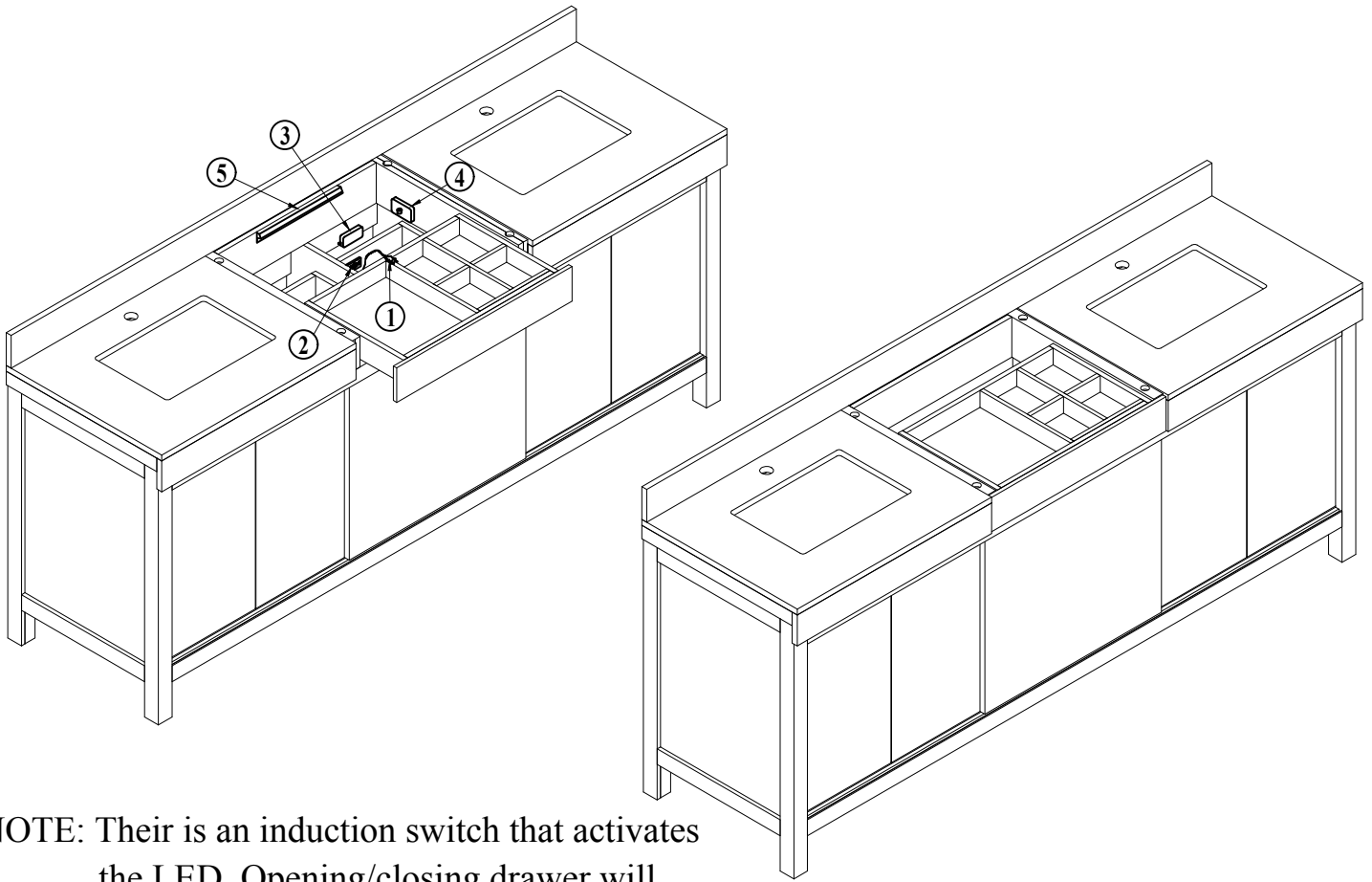
1



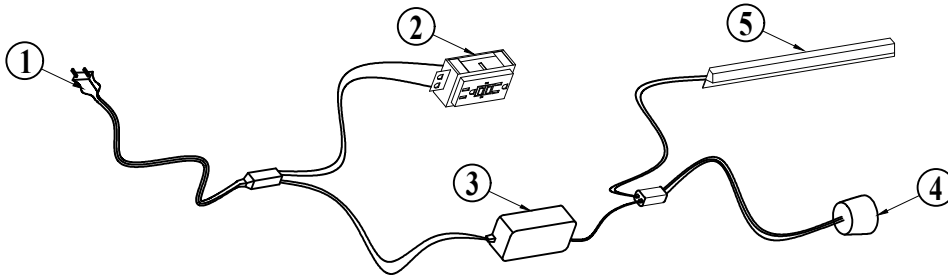
2


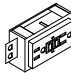
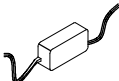

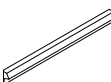


## LED System



**NOTE:** There is an induction switch that activates the LED. Opening/closing drawer will turn the light on/off.



PART	DESCRIPTIONS		QTY
<b>1</b>		Power Plug	1
<b>2</b>		Outlet	1
<b>3</b>		Adapter	1
<b>4</b>		Sensor	1
<b>5</b>		LED Strip Light	1