



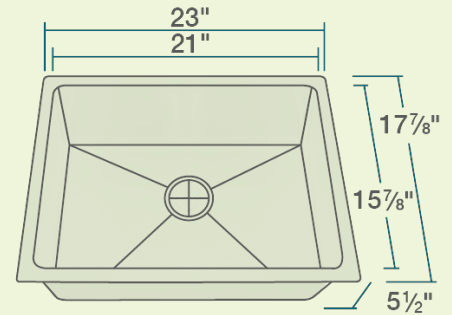
ADA1823-SLW Single Bowl 3/4" Radius ADA Kitchen Sink with White SinkLink

Stainless Steel

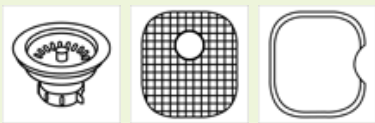
Stainless Steel is the most popular choice for today's kitchens due to its clean look and durability. The beautiful brushed satin finish helps to hide small scratches that may occur over the lifetime of the sink. Our Stainless Steel sinks are made from high quality 14, 16, 18 or 20 gauge steel. Most models are made of one piece construction that ensures the sturdiest kitchen sink you will find. Our sinks are made from 300-series stainless steel and are guaranteed not to rust or stain. Each sink is fully insulated and has a sound dampening pad. Our stainless steel sinks are backed by a limited lifetime warranty. This sink can be mounted under a laminate countertop with the included SinkLink installation piece, creating a sleek look. Offered in white, black or gray, the SinkLink is constructed from thick durable plastic and acts as a secure barrier that keeps the foundation of the laminate countertop dry.



- 23" x 17 7/8" x 5 1/2"
- Undermount Installation
- 24" Minimum Cabinet Size
- 18-Gauge Steel
- Certified High-Quality 304 Stainless Steel
- Brushed Satin Finish
- Offset Drain
- Thick Sound Dampener Rubber Pad
- Fully Insulated
- Cardboard Cutout Template Included
- Installation Hardware Included
- Limited Lifetime Warranty
- ADA Compliant
- SinkLink installation piece included



Accessories



*Accessories not included

UPC: 841412145817

Features

<p>Undermount Installation</p>	<p>24" Minimum Cabinet Size</p>	<p>18 Gauge</p>	<p>Cold-Rolled Stainless Steel</p>	<p>Brushed-Satin Finish</p>	<p>Offset Drain 3 1/2"</p>
<p>Sound Dampening</p>	<p>Fully Insulated</p>	<p>Cutout Template</p>	<p>Hardware Included</p>	<p>ADA Compliant</p>	<p>Limited Lifetime Warranty</p>