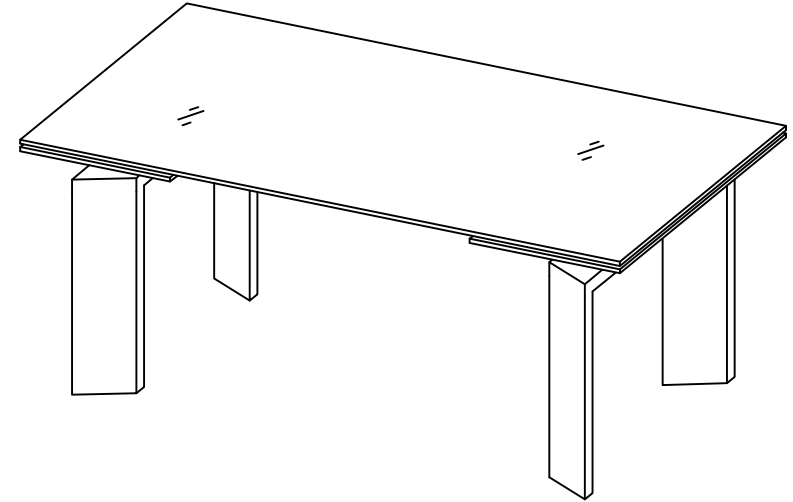
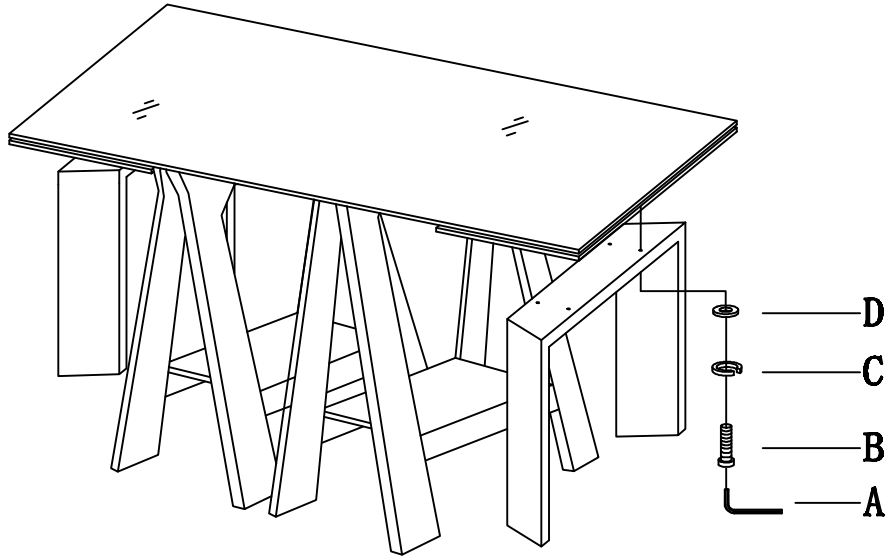


Assembly Instruction

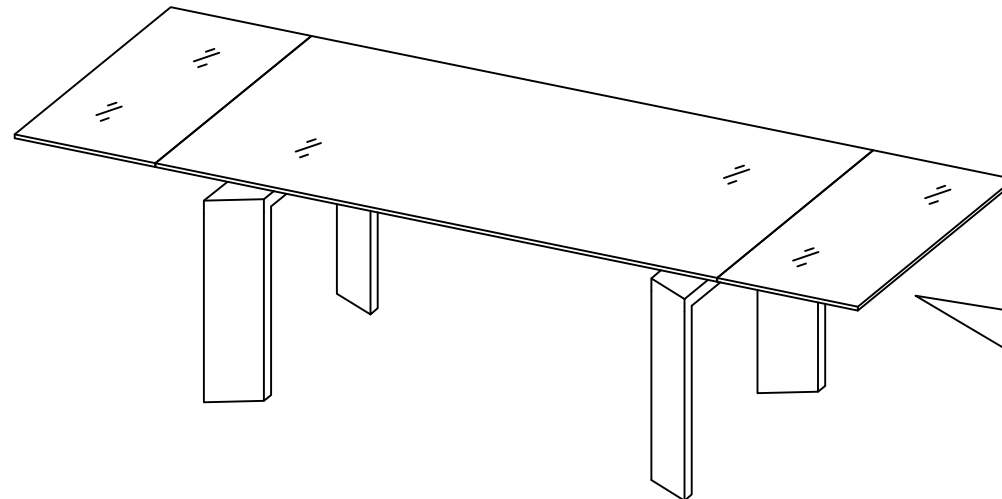
MODEL: JETT EXT 1605-EXDT



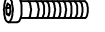

STEP 1

FINISHED



Tips: to extend, pull the metal frame until the extension part pops up completely; to close, push the metal frame until the extension part goes underneath.



| | | | |
|-----|-------|---|-----|
| D | Ø8 |  | 8 |
| C | Ø8 |  | 8 |
| B | M8x55 |  | 8 |
| A | 5mm |  | 1 |
| NO. | SIZE | DIAGRAM | QTY |