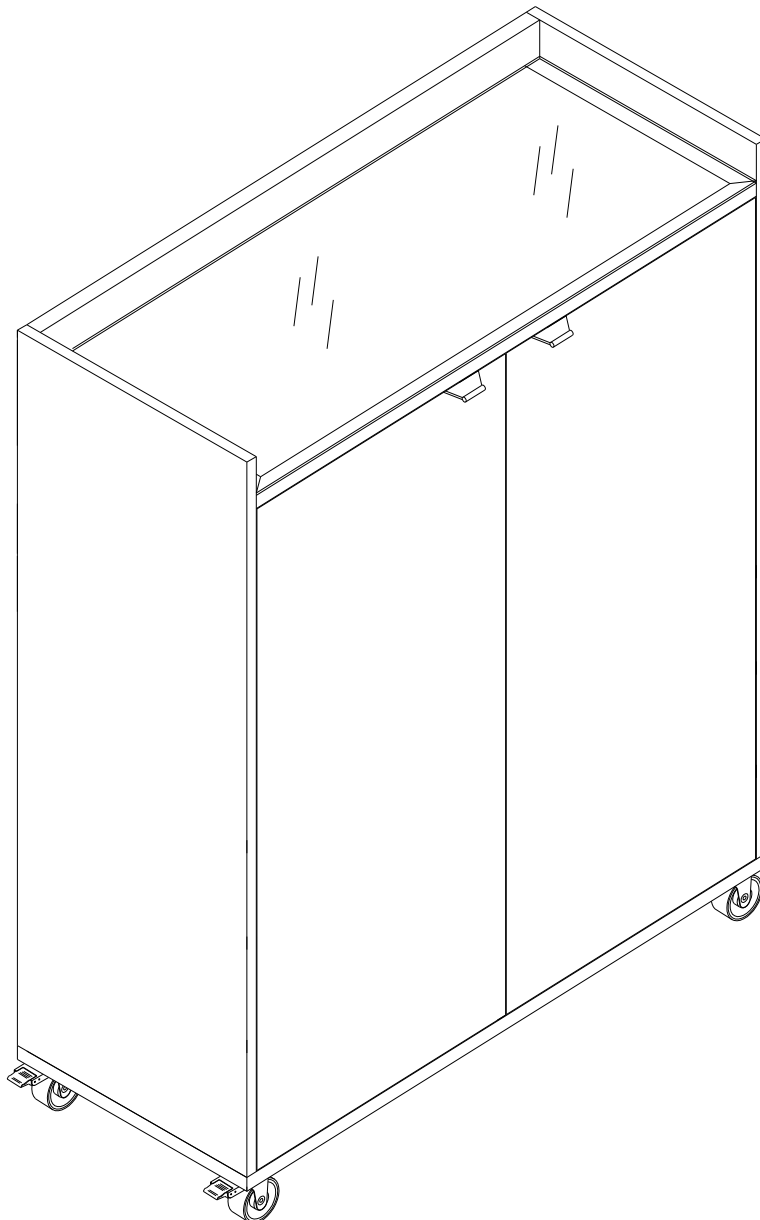




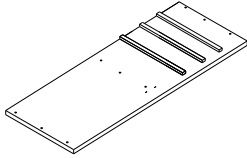
HAVEN HOME

Assembly Instruction Smith Bar Cabinet



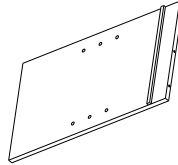
Part list

① Base Panel



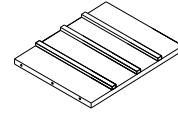
x 1

② Middle Panel



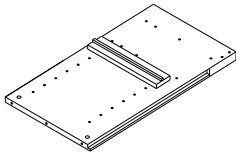
x 1

③ Small Fixed Panel



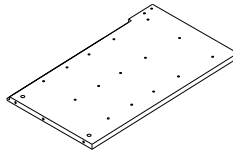
x 3

④ Left Side Panel



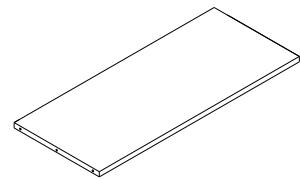
x 1

⑤ Right Side Panel



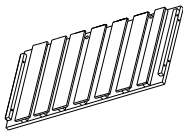
x 1

⑥ Large Fixed Panel



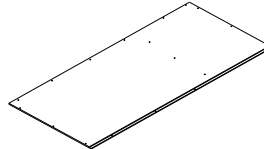
x 1

⑦ Top Panel



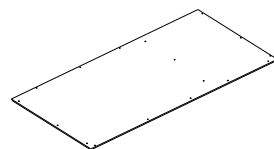
x 1

⑧ Left Back Panel



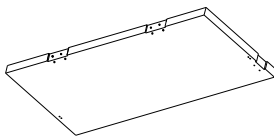
x 1

⑨ Right Back Panel



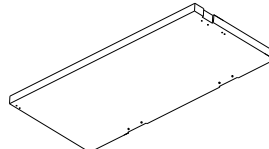
x 1

⑩ Right Door



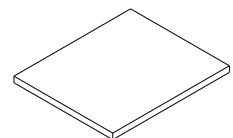
x 1

⑪ Left Door



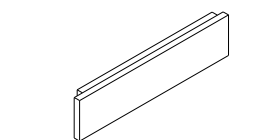
x 1

⑫ Adjustable Shelf Panel



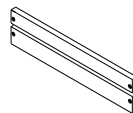
x 1

⑬ Drawer Front



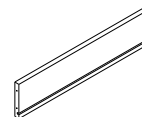
x 1

⑭ Drawer Side Panel



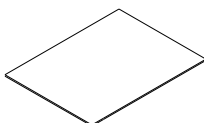
x 2

⑮ Drawer Back Panel



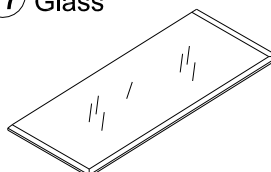
x 1

⑯ Drawer Bottom Panel



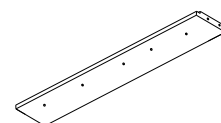
x 1

⑰ Glass



x 1

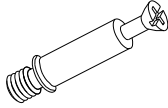
⑱ Back Rail



x 1

Hardware list

A Cam Bolt



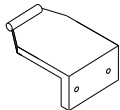
x 29

E Short Bolt



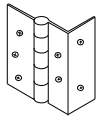
x 16

I Knob



x 2

M Hinge



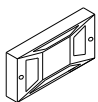
x 4

Q Screw



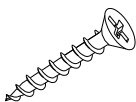
x 21

AA Bracket



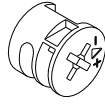
x 4

EE Screw For Wall



x 4

B Cam Lock



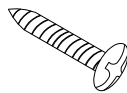
x29

F Washer



x 20

J Screw



x 33

N Magnet Clasp



x 4

R Long Bolt



x 4

BB Plastic Anchor



x 4

C Wood Dowel



x 20

G Allen Wrench



x 1

K Shelf Holder



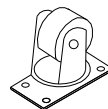
x 4

O Screw For Drawer



x8

S Wheels



x 2

CC Plastic Chain



x 2

D Plastic Cover



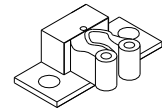
x 10

H Screw



x 28

L Magnet Lock



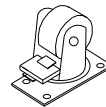
x 4

P Drawer Stopper



x 1

T Wheels With lock



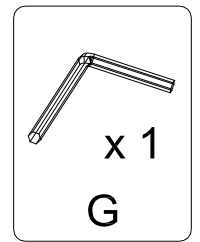
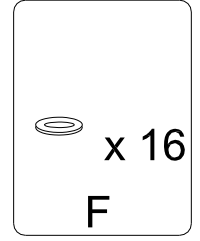
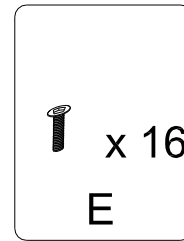
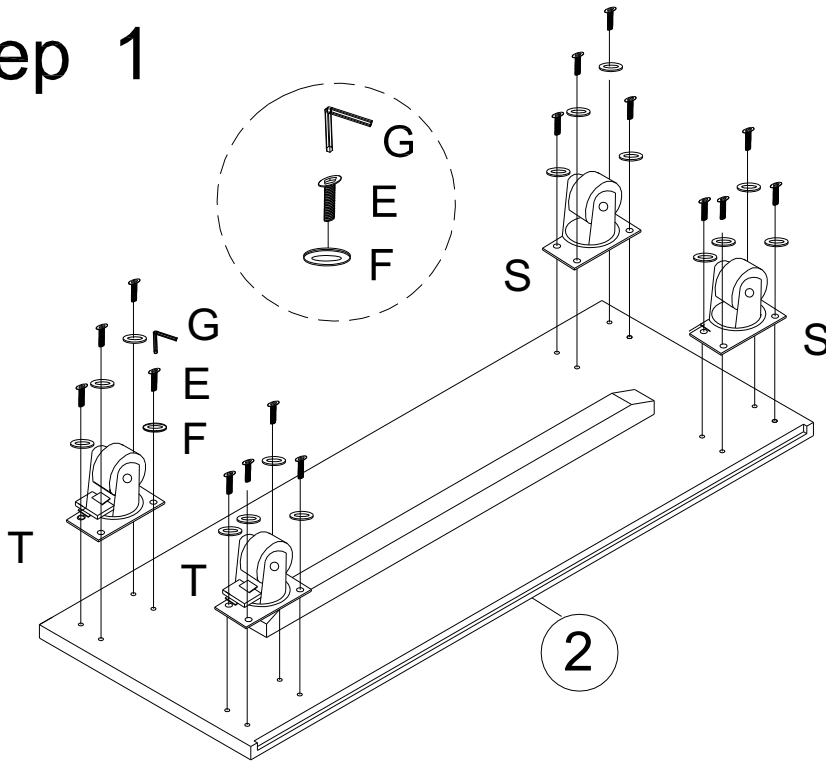
x 2

DD Screw For Bracket

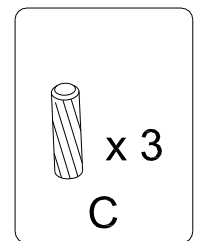
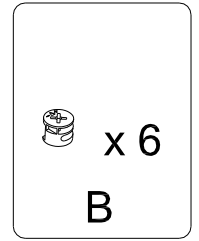
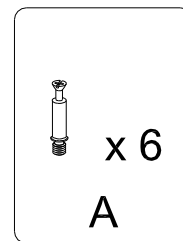
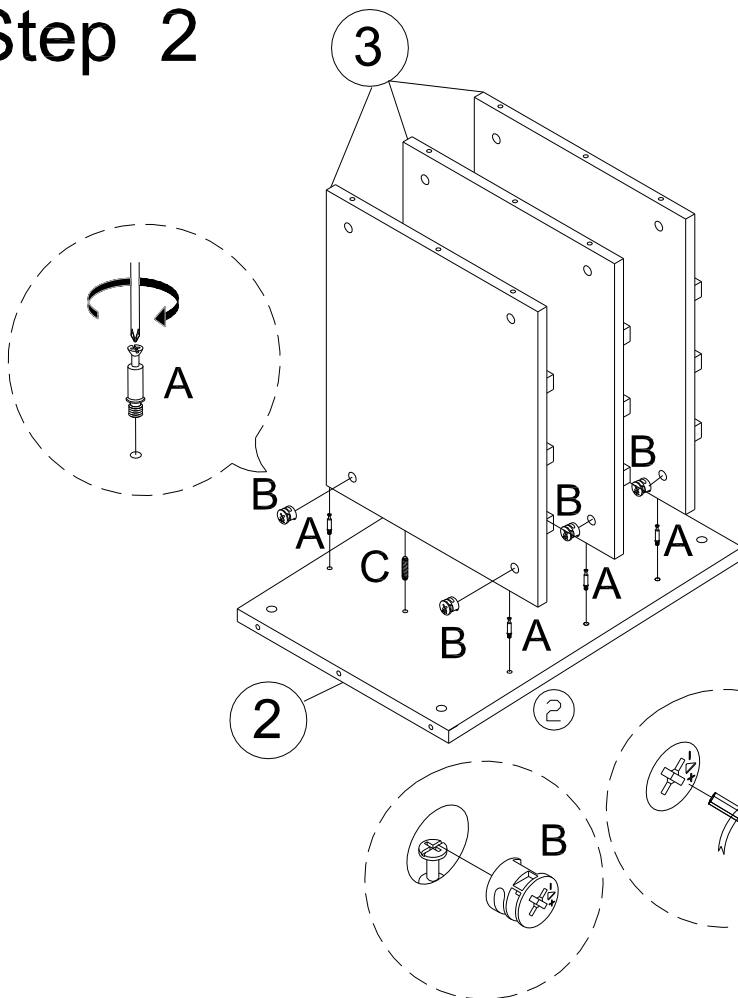


x 4

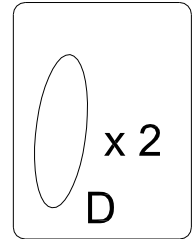
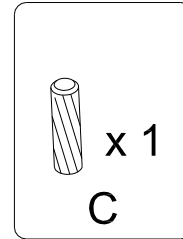
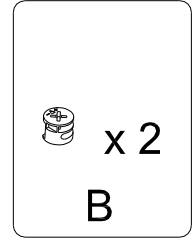
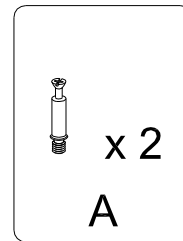
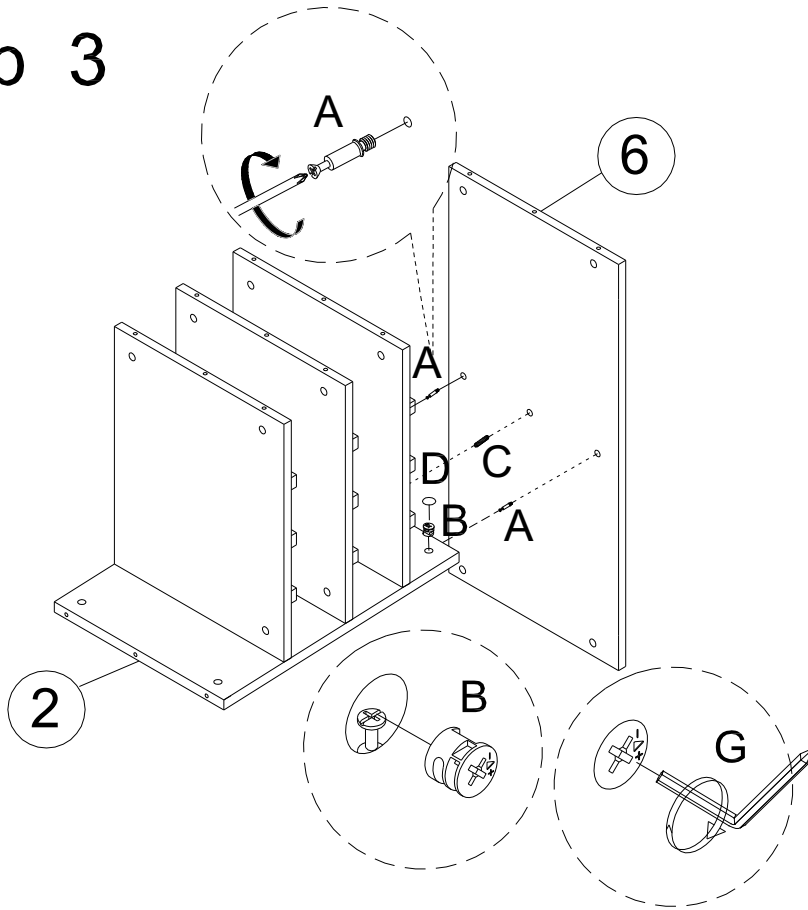
Step 1



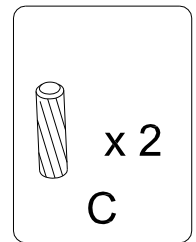
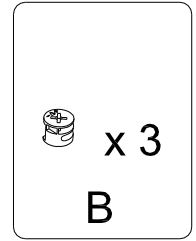
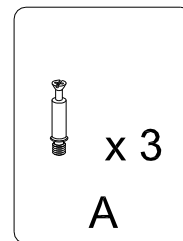
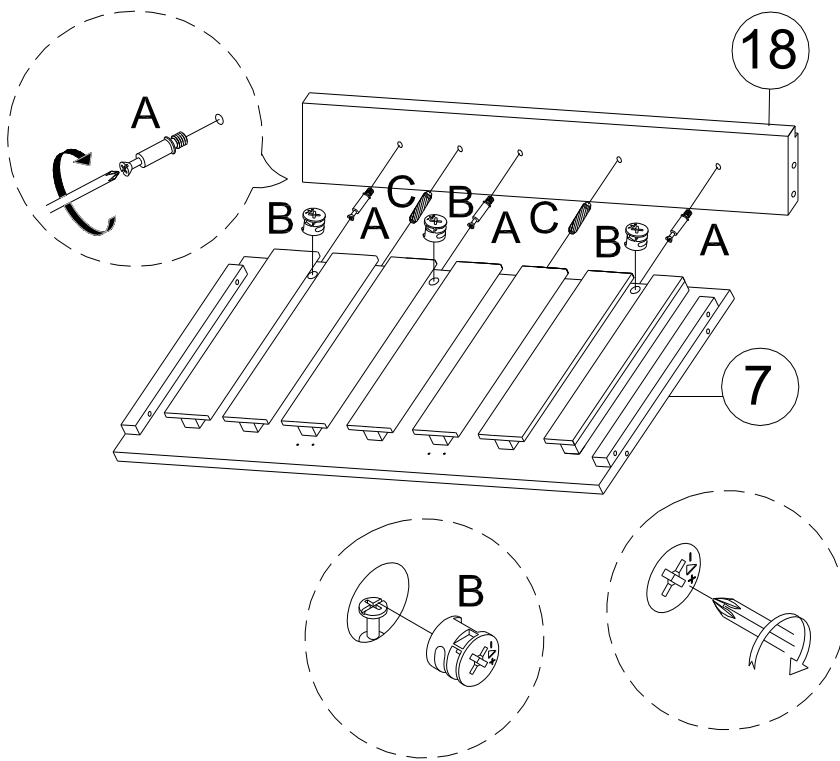
Step 2



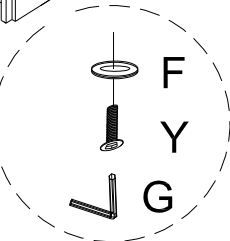
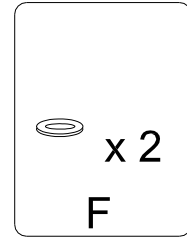
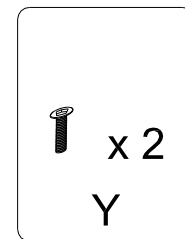
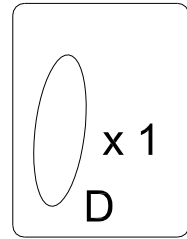
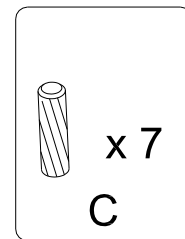
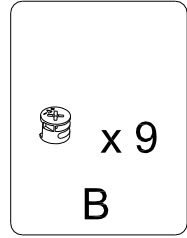
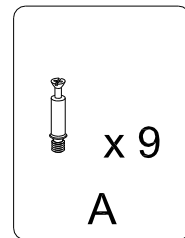
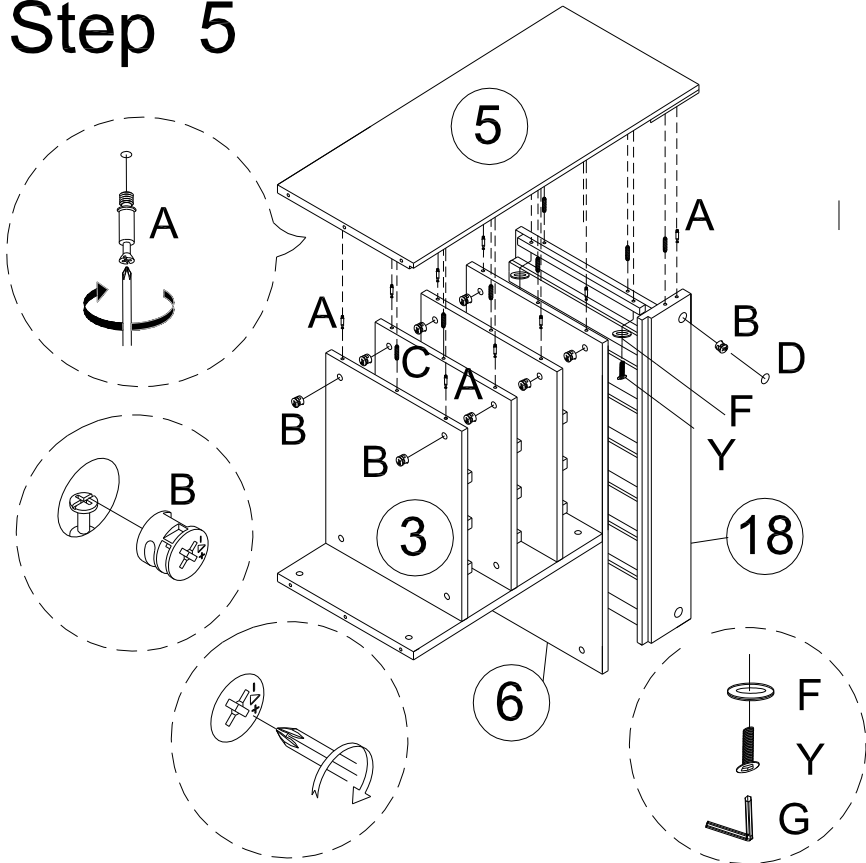
Step 3



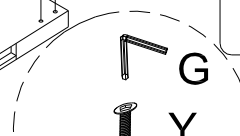
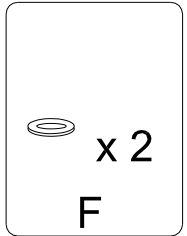
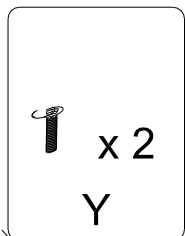
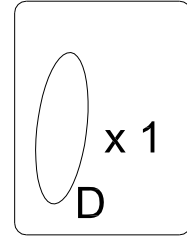
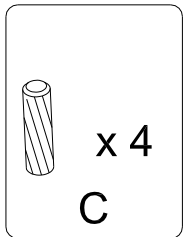
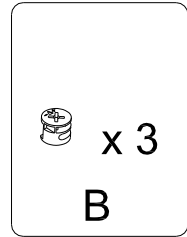
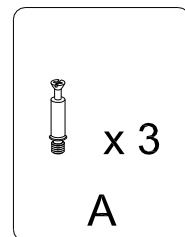
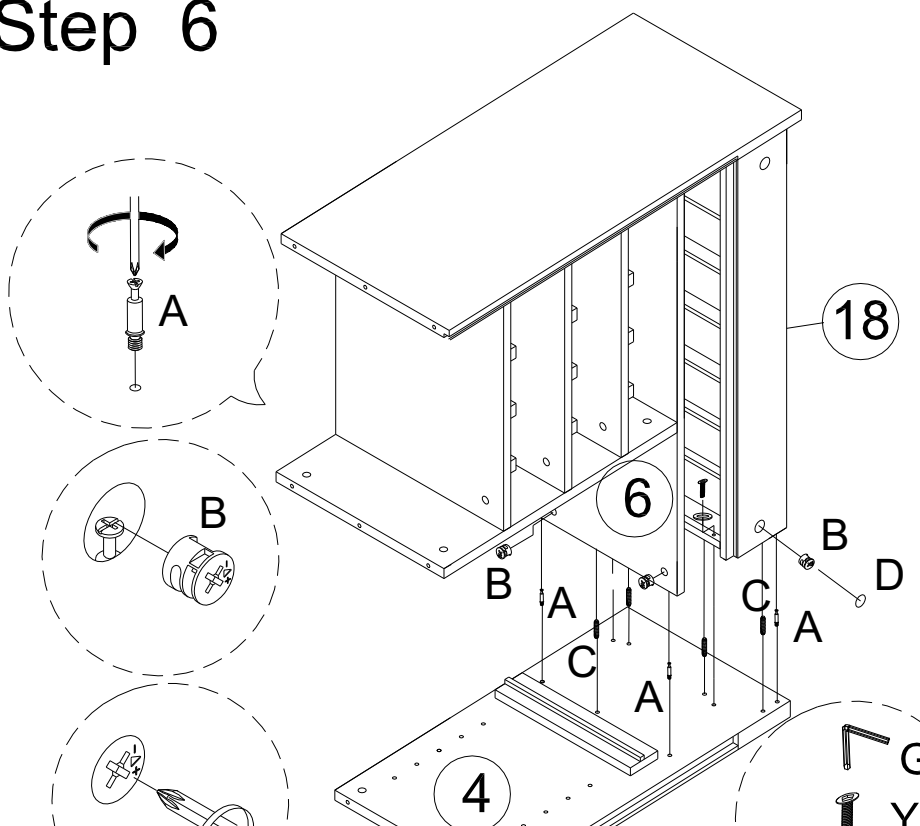
Step 4



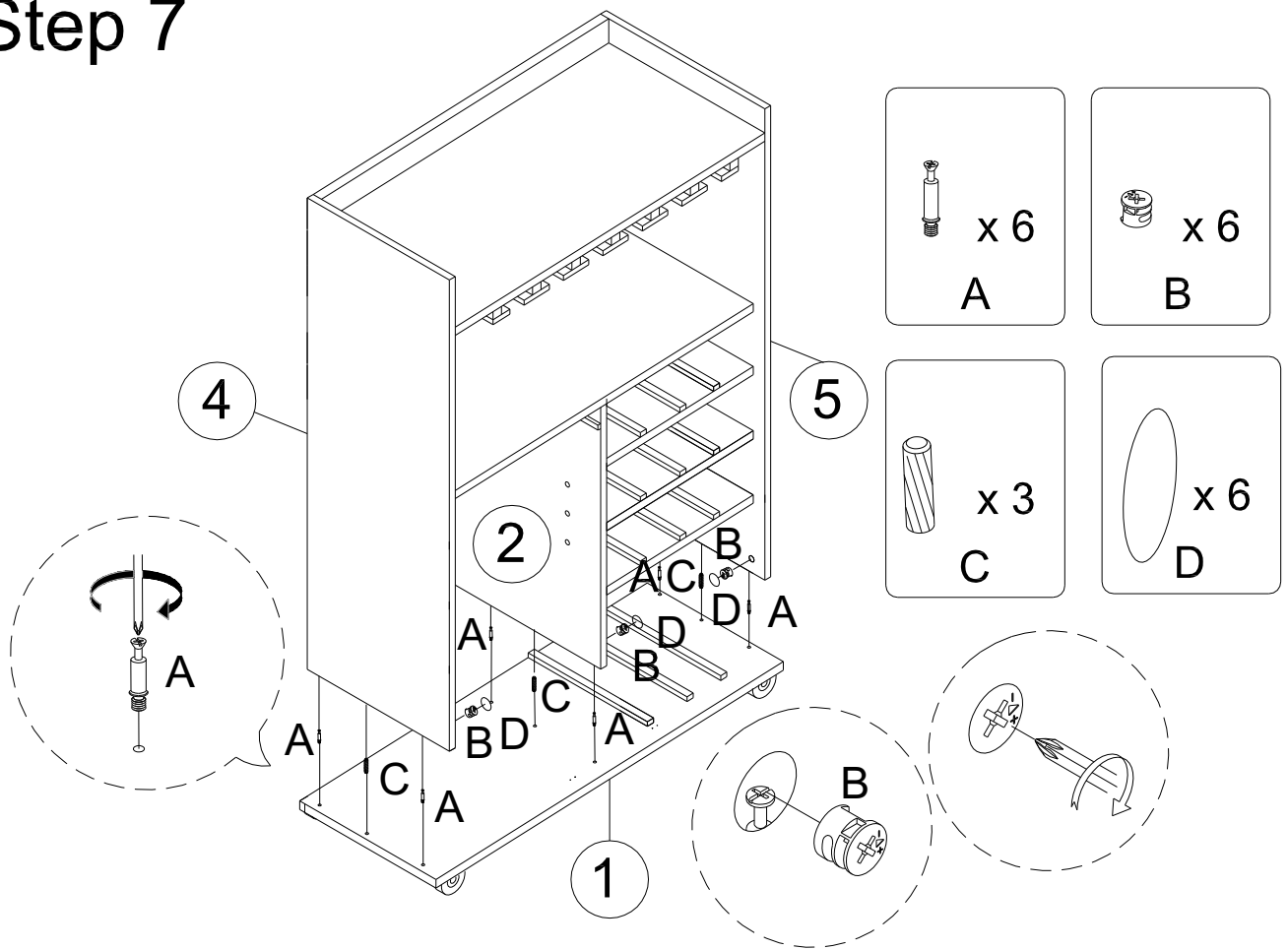
Step 5



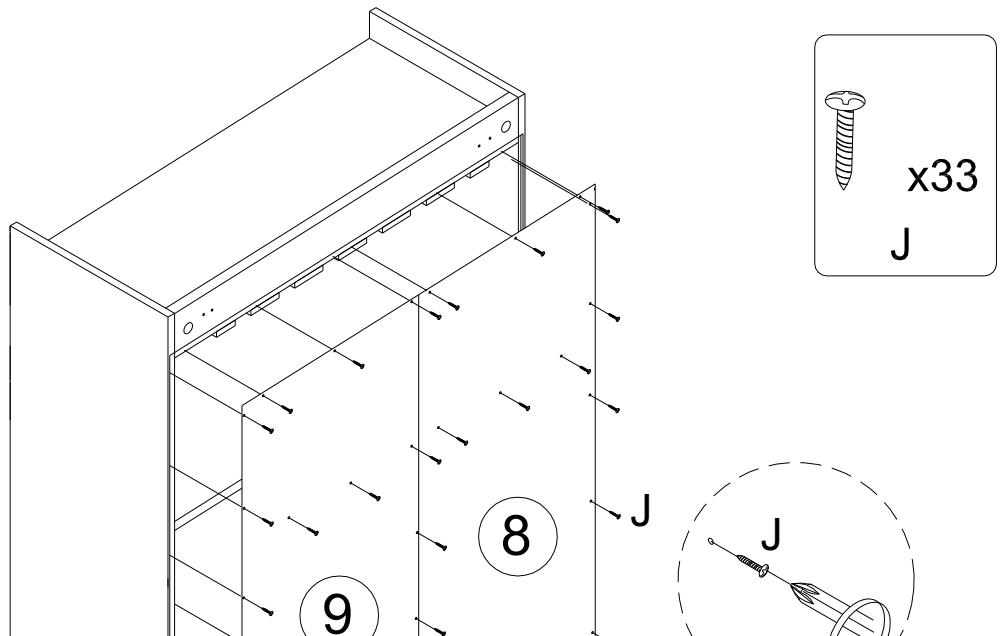
Step 6



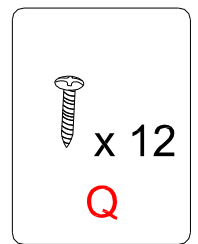
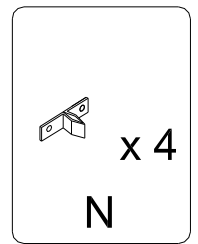
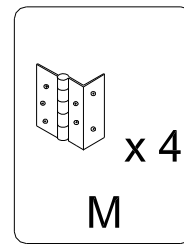
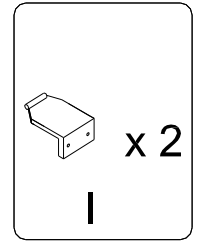
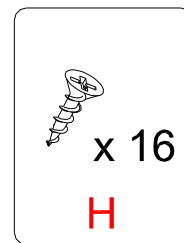
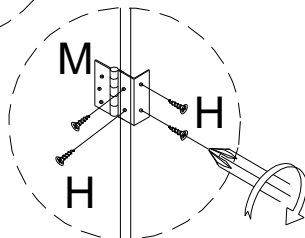
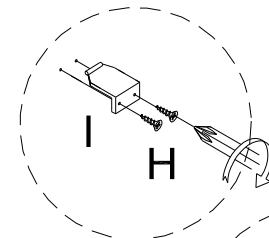
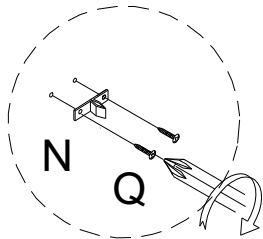
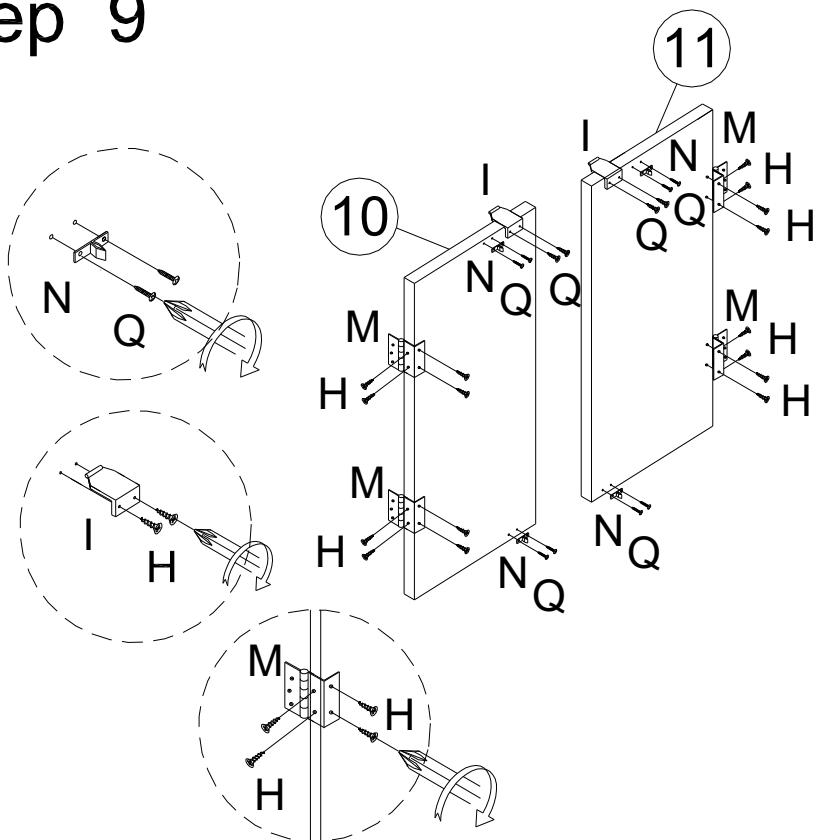
Step 7



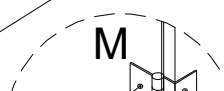
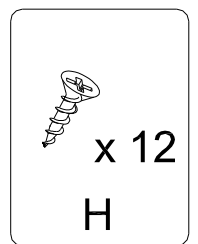
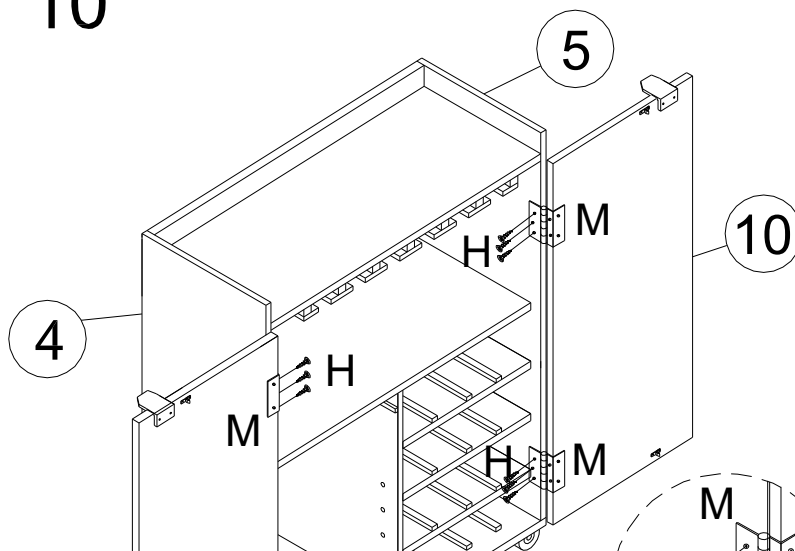
Step 8



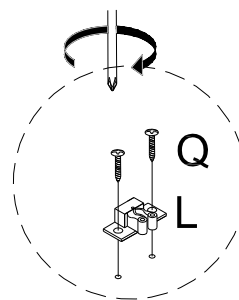
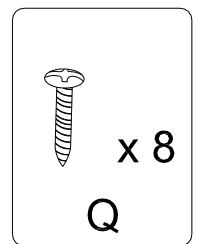
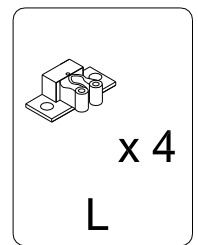
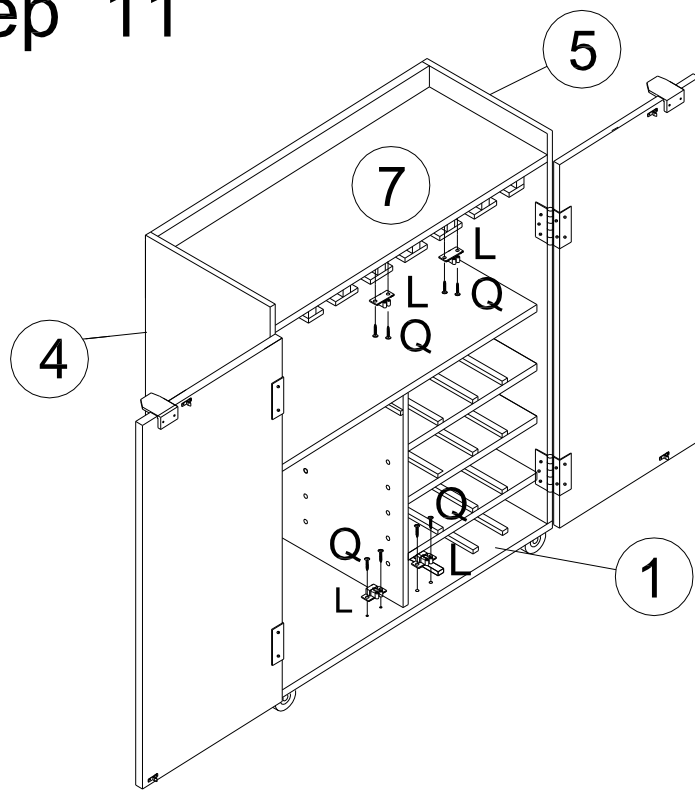
Step 9



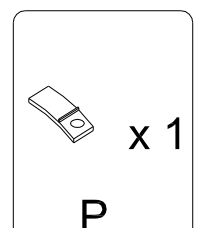
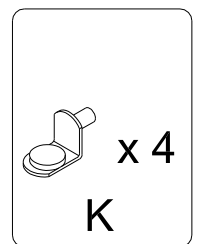
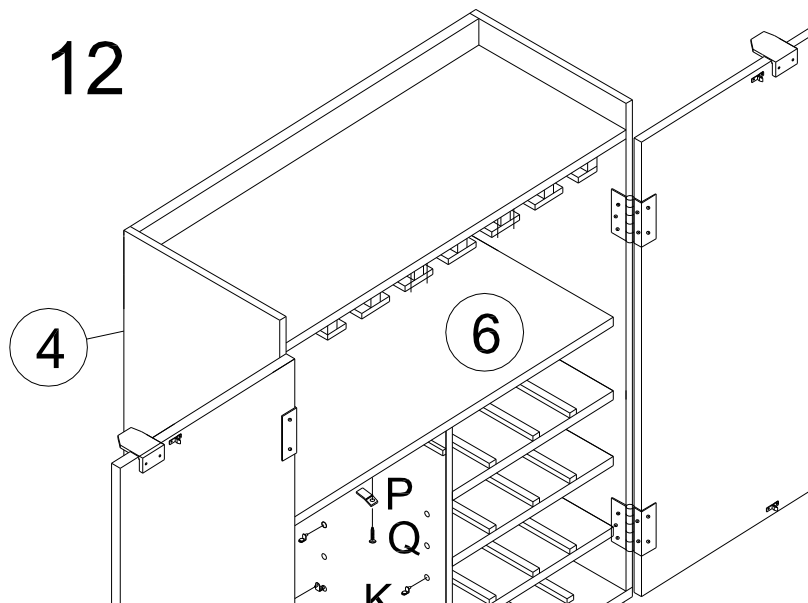
Step 10



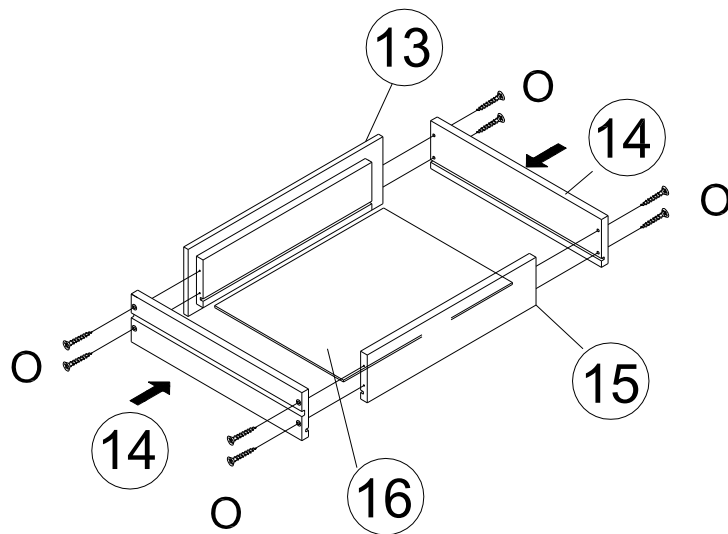
Step 11



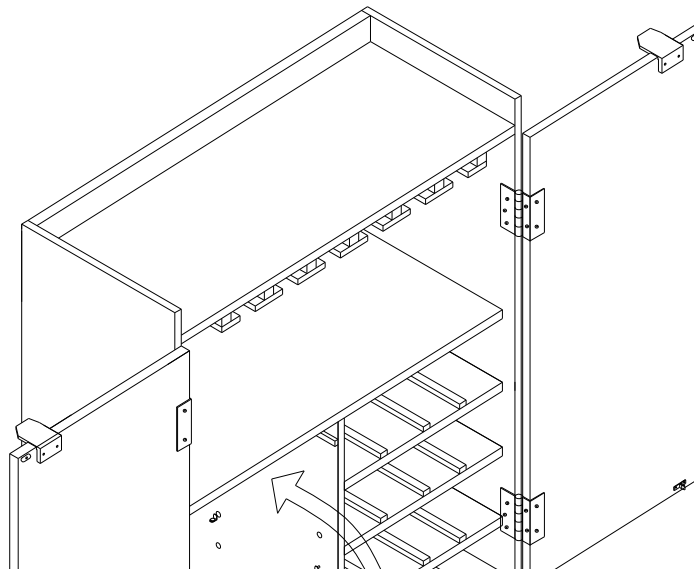
Step 12



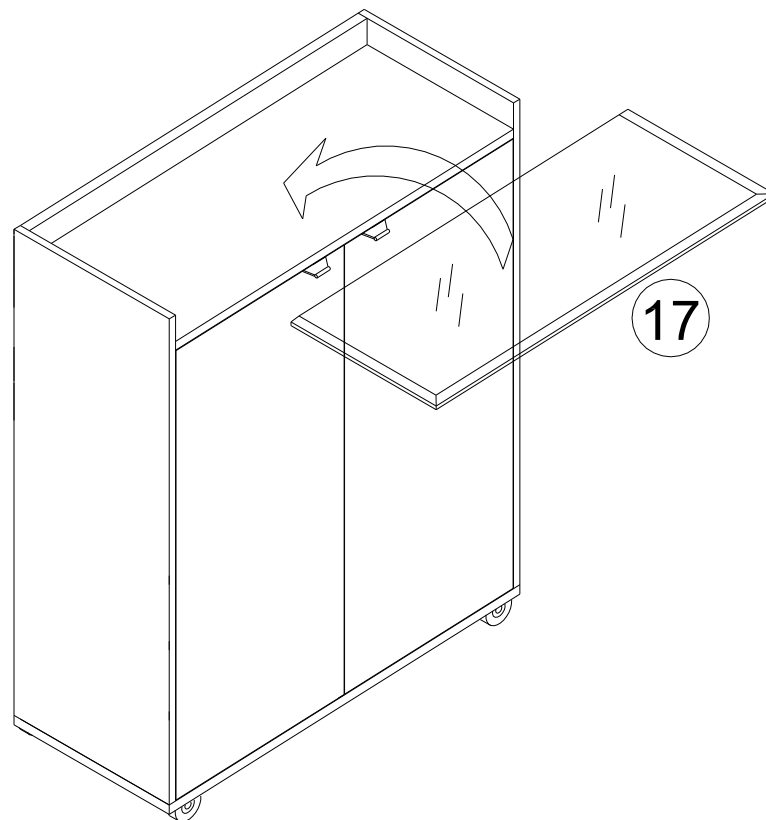
Step 13



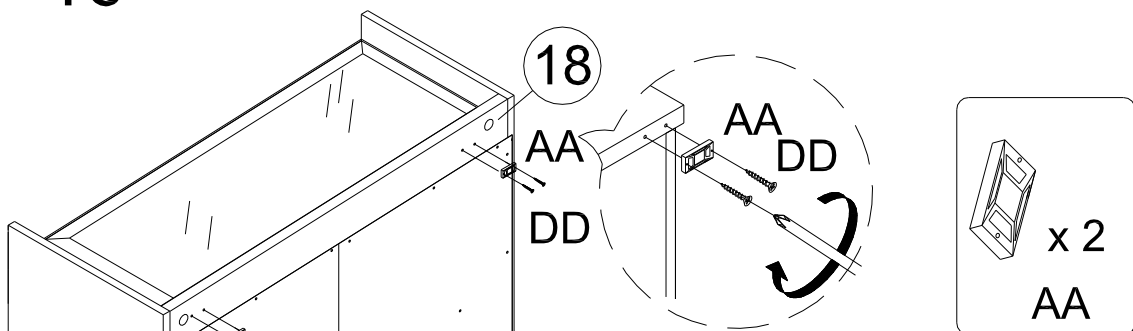
Step 14



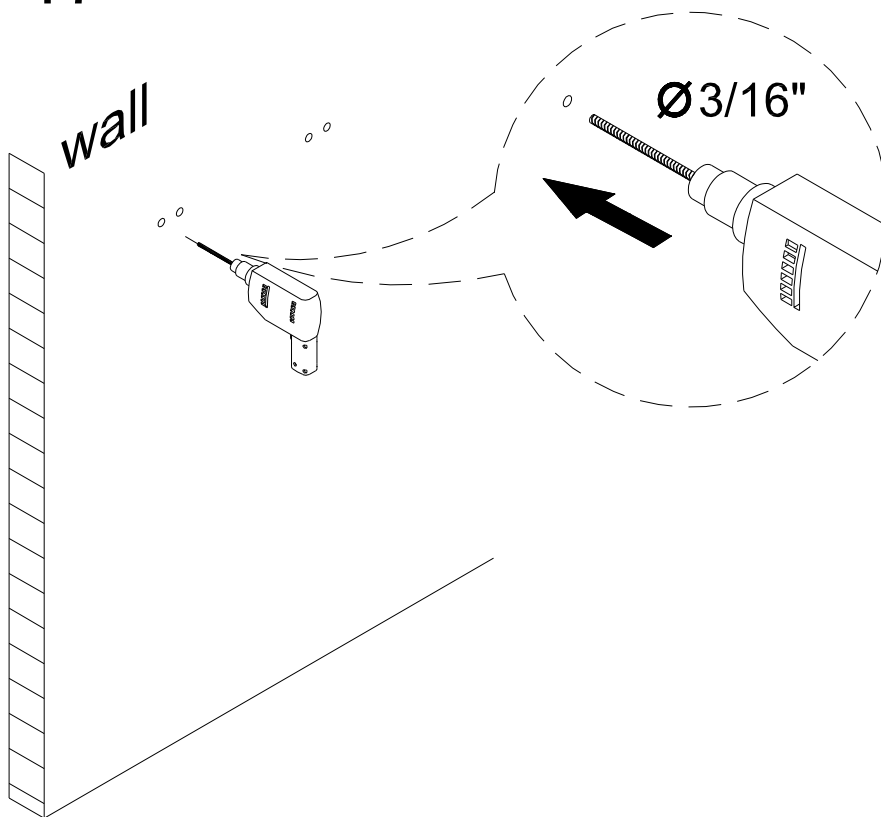
Step 15



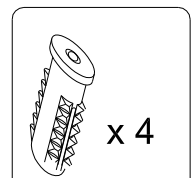
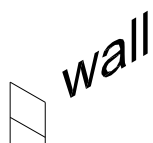
Step 16



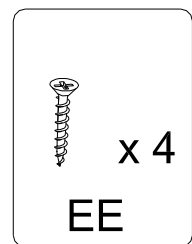
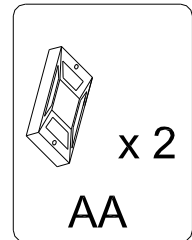
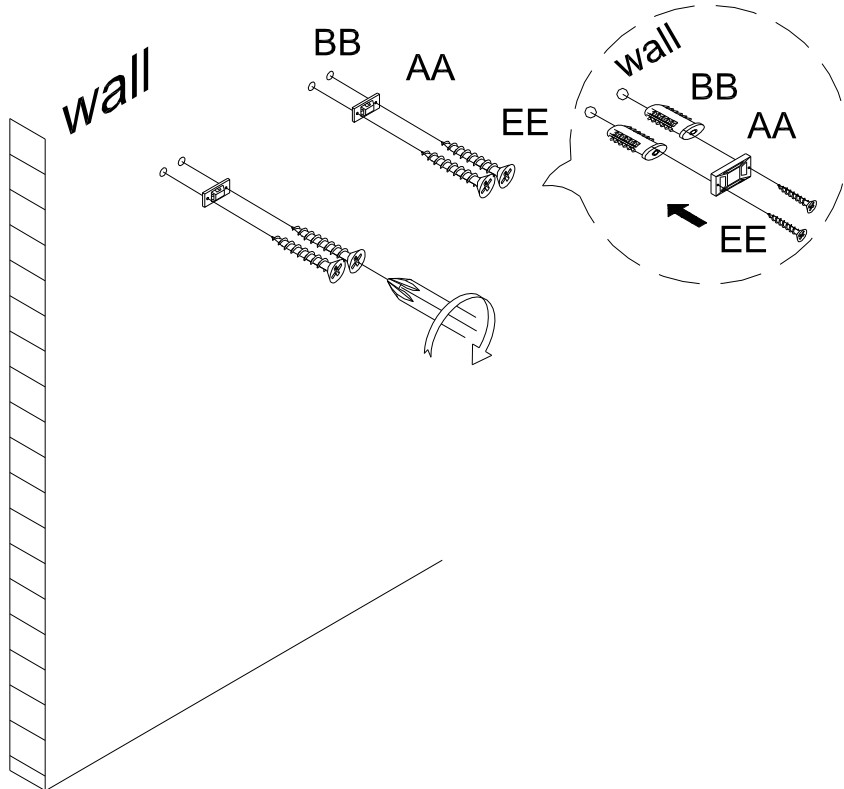
Step 17



Step 18



Step 19



Step 20

