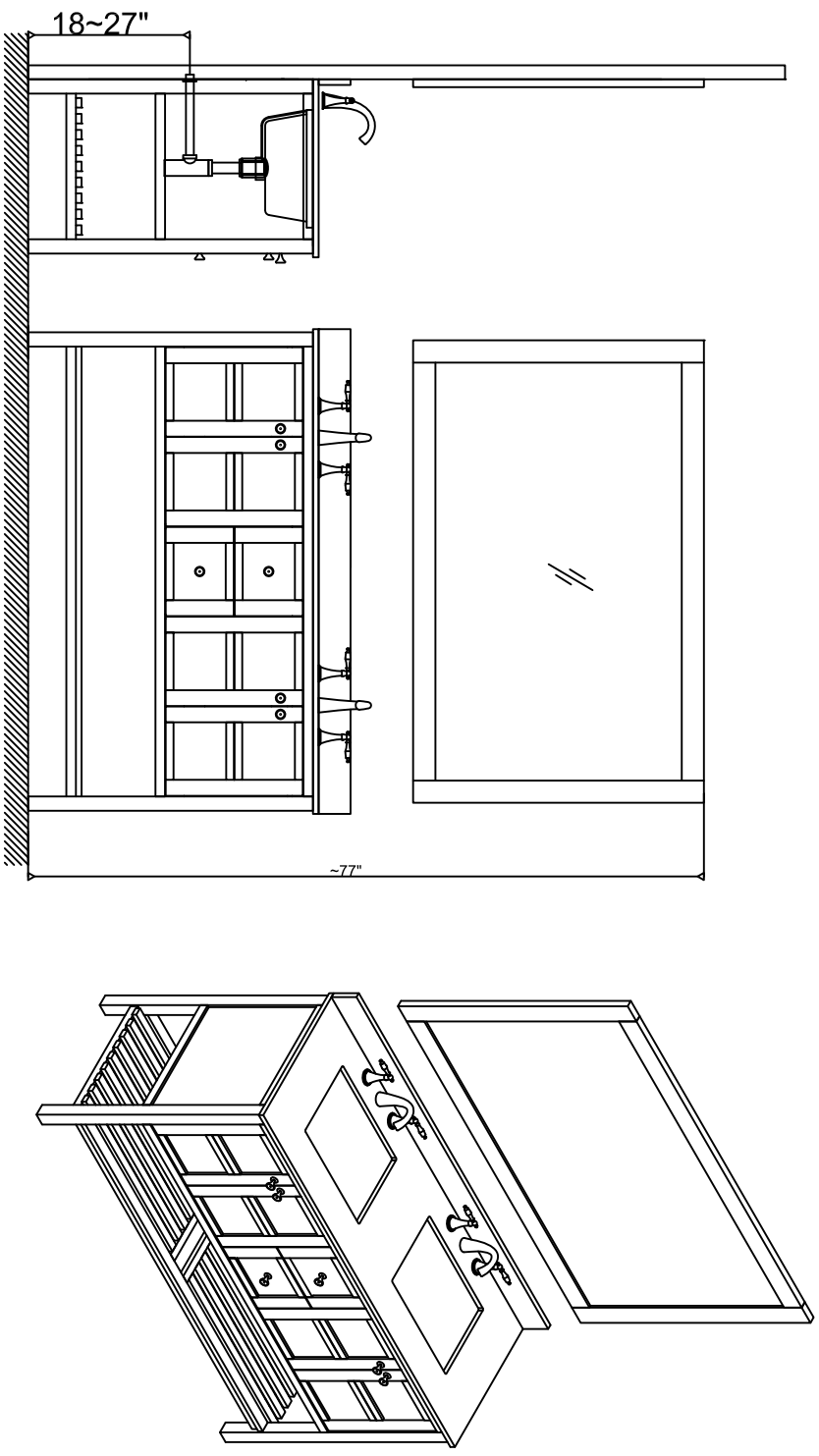
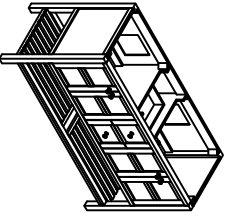


SKU : ED30060
SIZE:1524x560x910
PROHIBIT COPY

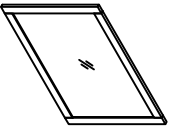
. Prior to installation please check received items against the Packing List Please report any missing items to your local dealer immediately.
 . Protect all surfaces from sharp objects, high heat sources, direct prolonged sunlight and chemical hazards.
 . Professional installation recommended.


PACKING LIST

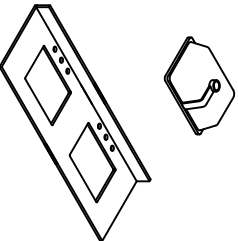
1. Main cabinet



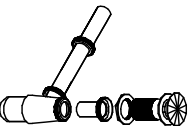
2. Mirror



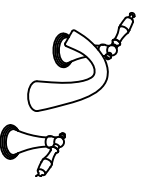
3. Basin



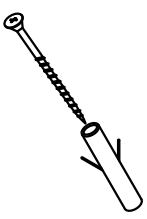
4. Pop up+Drain pipe



5. Faucet



6. Install screw

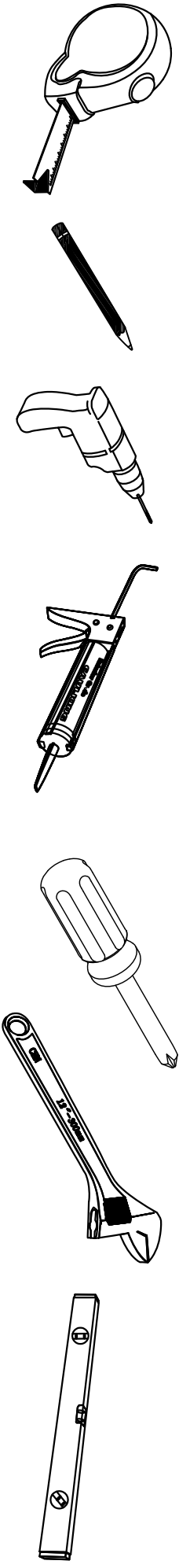


SKU : ED30060

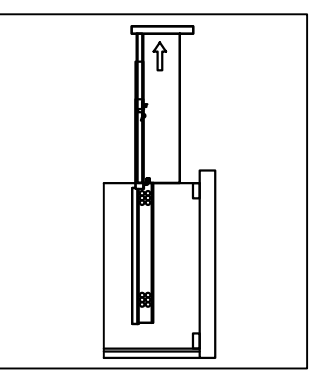
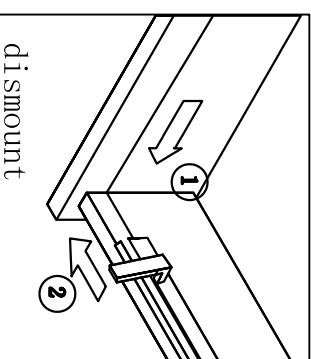
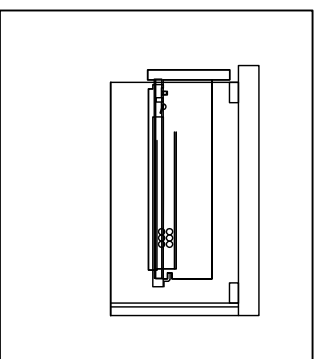
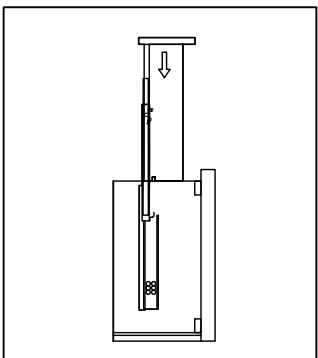
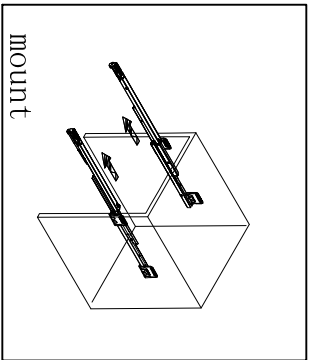
SIZE:1524x560x910

PROHIBIT COPY

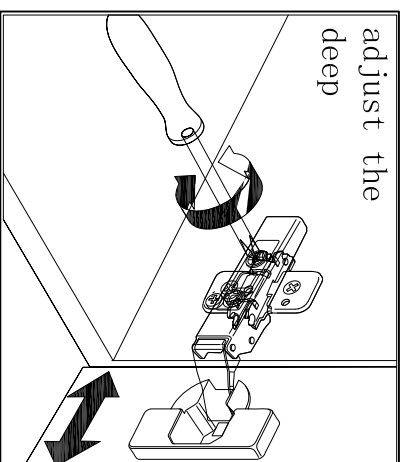
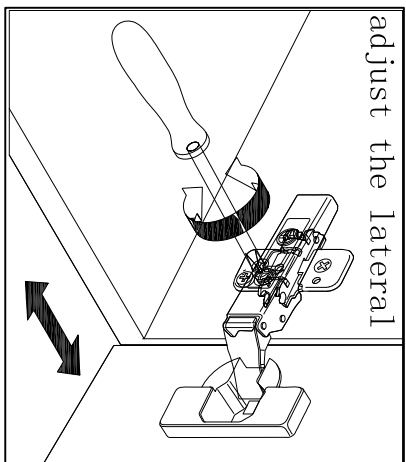
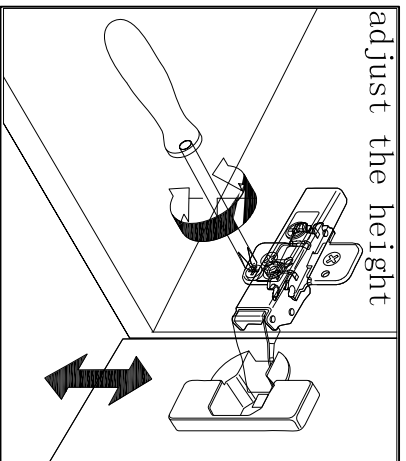
REQUIRED TOOLS



DRAWER SLIDER ATTACHMENT AND DETACHMENT



INSTALLATION AND ADJUSTION OF HINGE



SKU : ED30060

SIZE:1524x560x910

PROHIBIT COPY

