



Welland

Pine Side Table

HW950-909

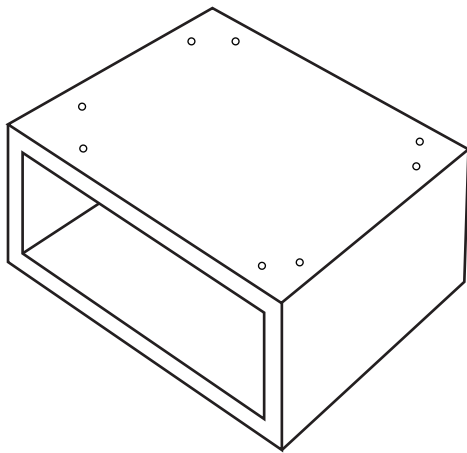
Package Content

Table top x 1 Metal leg x 4 Screw x 8

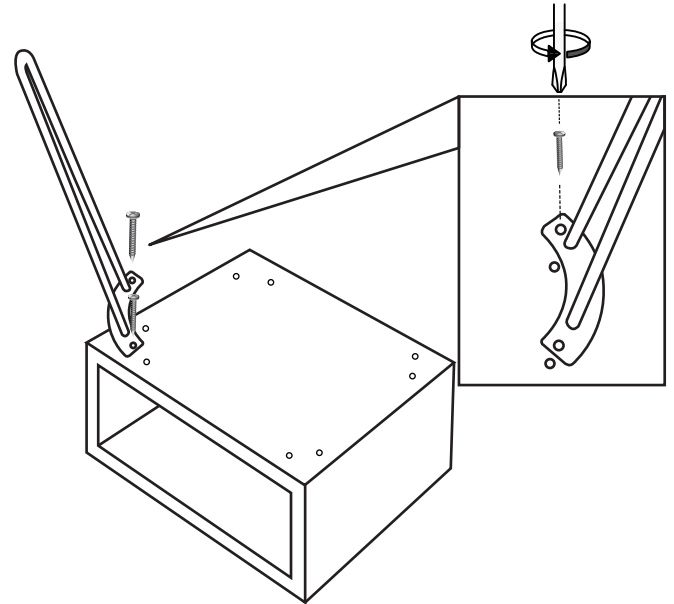
Tools Needed

Screwdriver

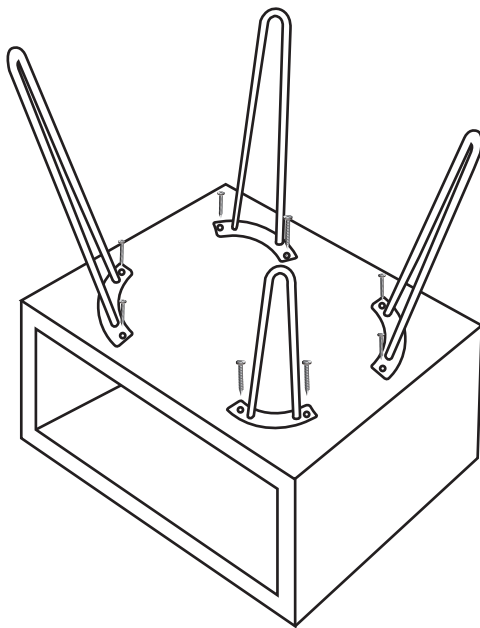
INSTRUCTION



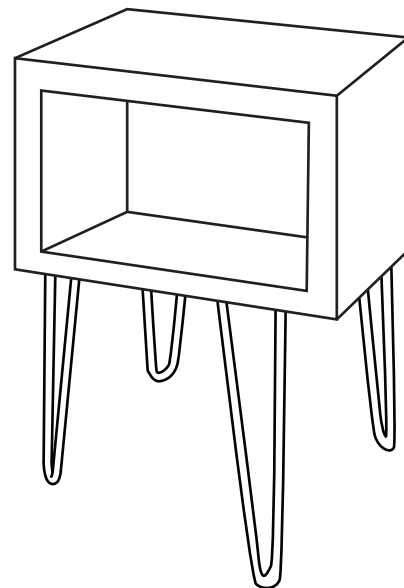
1. Turn your table top upside-down on a scratch free surface.



2. Line up one leg at a time to the pre-drilled holes.



3. Attach the legs with the screws provided.



4. Flip your completed table over and enjoy!

Please install according to the instruction. Welland LLC and its affiliates are not responsible for injury or damage resulting from improper installation or use.

Email us at customerservice@wellandllc.com