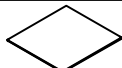


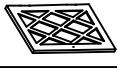











ASSEMBLY INSTRUCTION FOR ACME FURNITURE




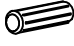










MODEL # 97380

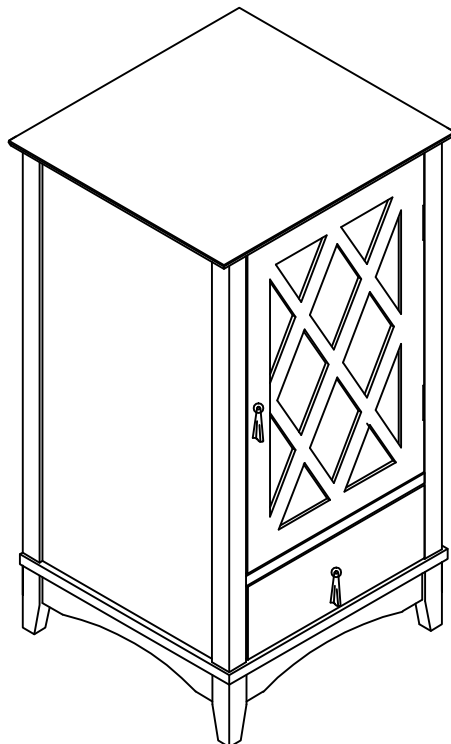
Thank you for purchasing this quality product. Be sure to check all packing material carefully for small parts which may have come loose inside the carton during shipment. Separate, Identify and count all parts and metal hardware. Compare with parts list to be sure all parts are present. If any part(s) are missing or damaged, please contact your local furniture dealer. For efficient and speedy service, please indicate the model number and code letter of part(s) needed.

***** Do not fully tighten screws until fully assembled *****

COMPONENT PARTS		
DESCRIPTION	PART NAME	Q`TY (PCS)
①	Top Panel 	1
②	Side Panel 	1
③	Side Panel 	1
④	Door Leaf 	1
⑤	Shelf 	1
⑥	Shelf 	1
⑦	Bottom Panel 	1
⑧	Drawer Front 	1
⑨	Drawer side 	1
⑩	Drawer side 	1
⑪	Drawer Back 	1
⑫	Back Panel 	1
⑬	Foots 	4

HARDWARES REQUIRED

(A)		Cam lock		12 PCS
(B)		Cam bolt		12 PCS
(C)		Cam nut		12 PCS
(D)		Wood dowel		12 PCS
(E)		Screw	$\phi 8 \times 3/4"$	14 PCS
(F)		Screw	$\phi 11 \times 3/4"$	8 PCS
(G)		Hold hands		2 PC
(H)		Bolt	$\phi 6 \times 20 \text{mm}$	1 PC
(I)		Bolt	$\phi 6 \times 32 \text{mm}$	1 PC
(J)		L-ALLEN KEY	$\phi 1/4"$	1 PC
(K)		Bolt	$\phi 1/4" \times 1-1/2"$	8 PCS
(L)		Spring Washer	$\phi 1/4"$	8 PCS
(M)		Flat Washer	$\phi 1/4" \times \phi 19 \text{mm}$	8 PCS
(N)		Laminate support		4 PCS

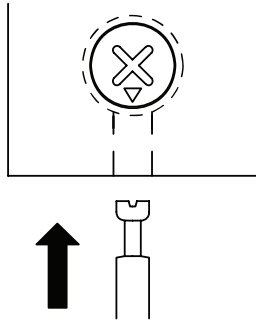


Attention:

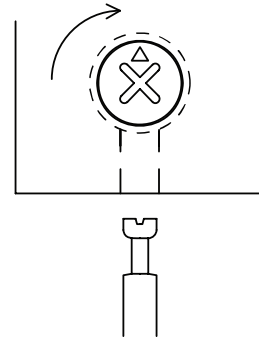
*** Some number parts listed on the instruction sheet may not be in parts bag as they may be assembled. Carefully check parts and packing materials prior to ordering replacements.

CAM LOCK SYSTEM

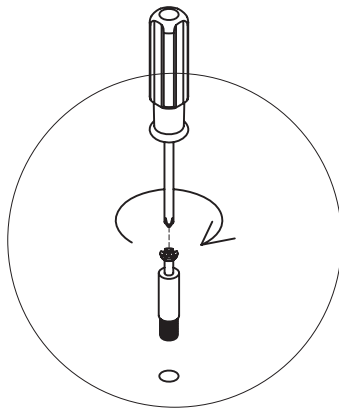
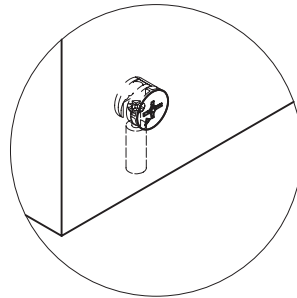
(1)



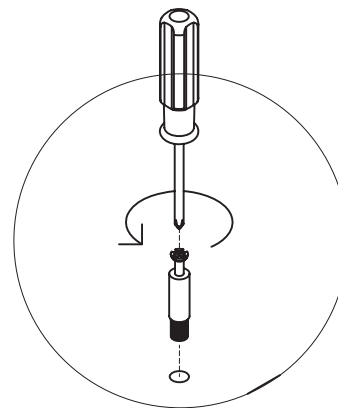
(2)



IMPORTANT NOTE--CAM LOCK ADJUSTMENT



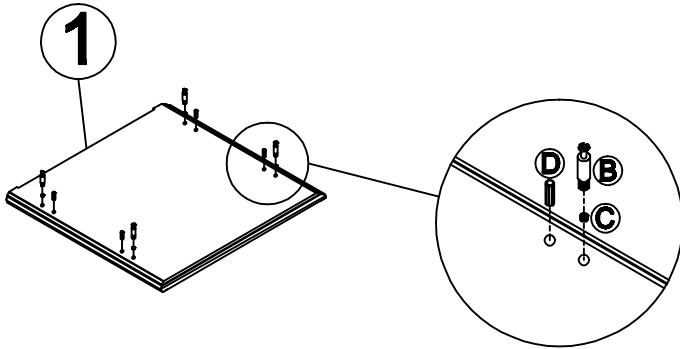
If Cam Lock
is too loose,
Please adjust Metal
Dowel to turn right
as drawing.



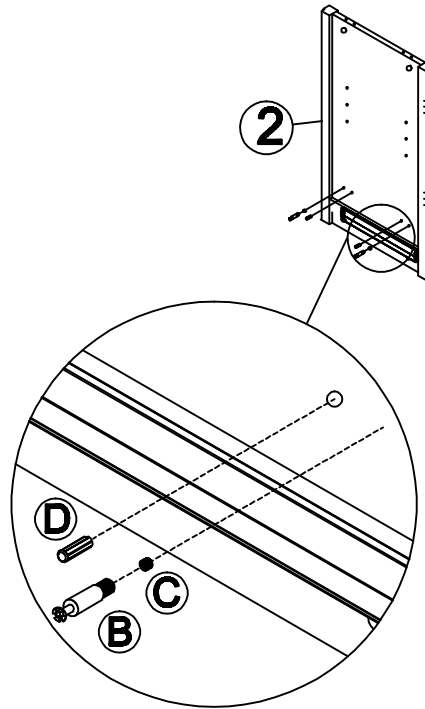
If Cam Lock
is too tight,
Please adjust Metal
Dowel to turn left
as drawing.

How to assemble:

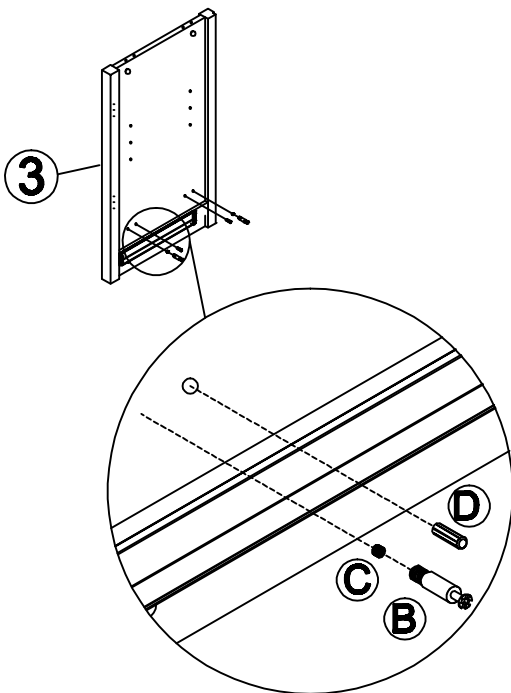
STEP 1



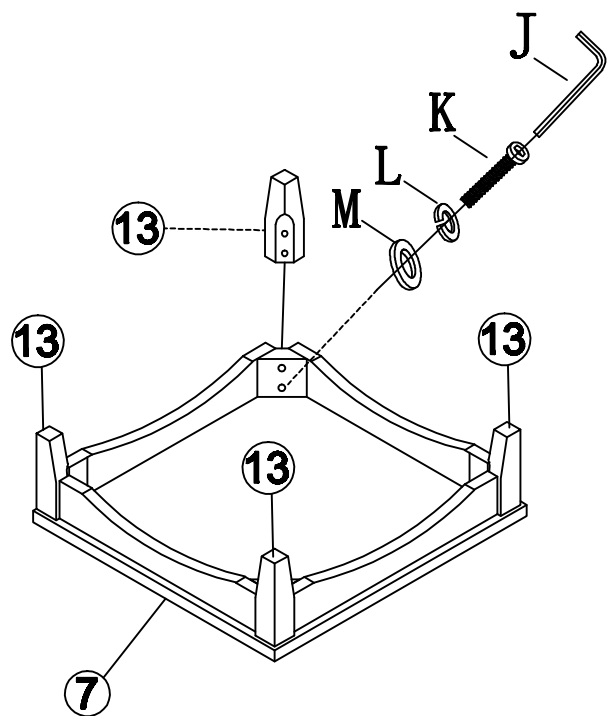
STEP 2



STEP 3

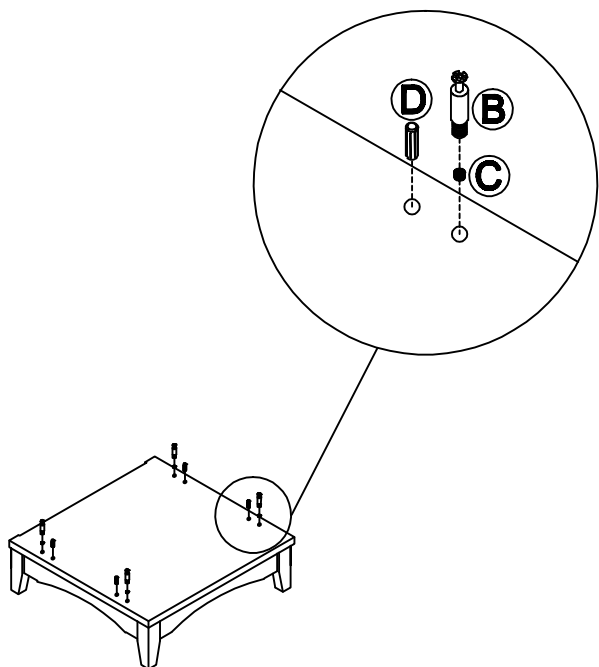


STEP 4

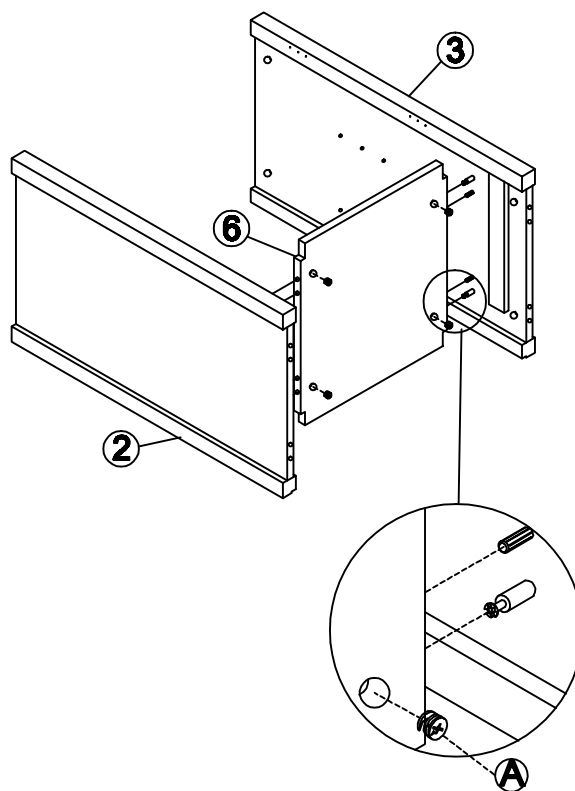


How to assemble:

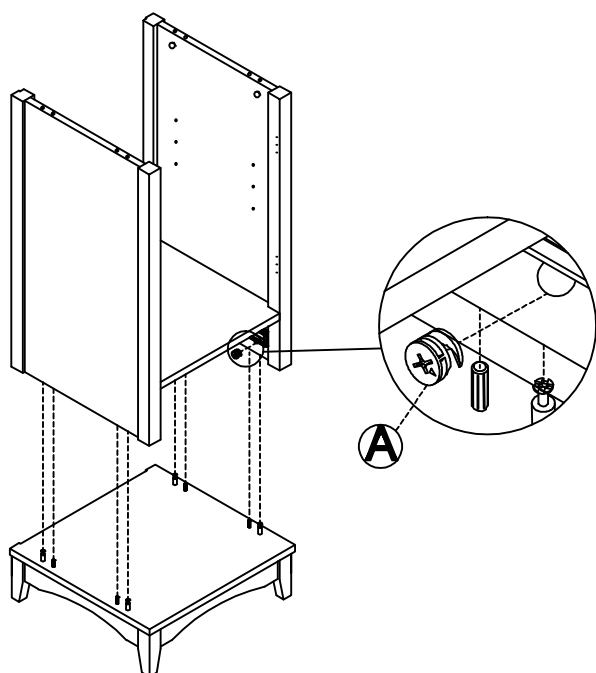
STEP 5



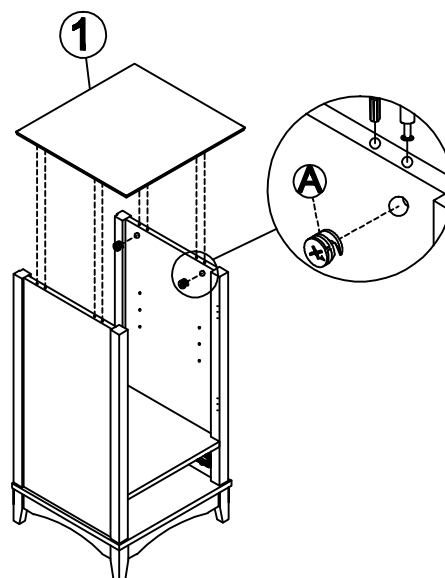
STEP 6



STEP 7

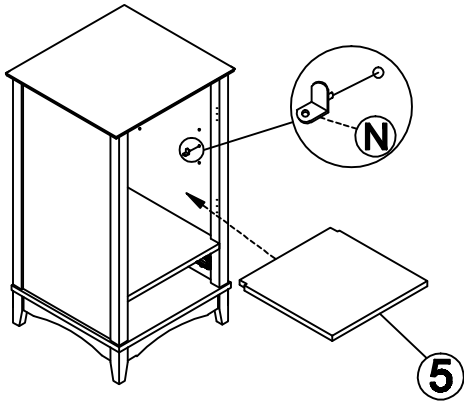


STEP 8

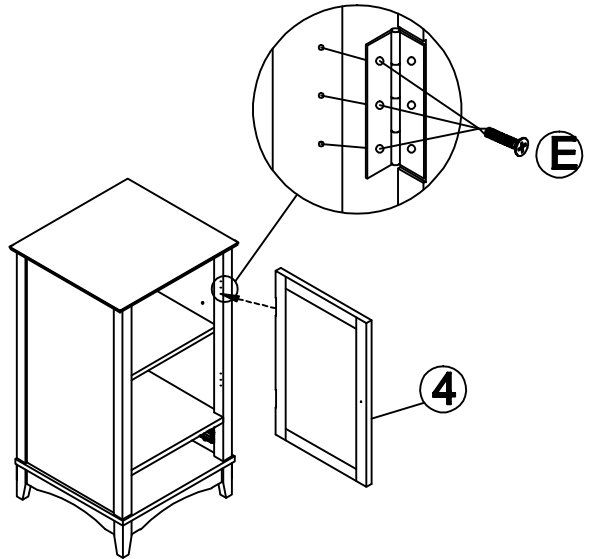


How to assemble:

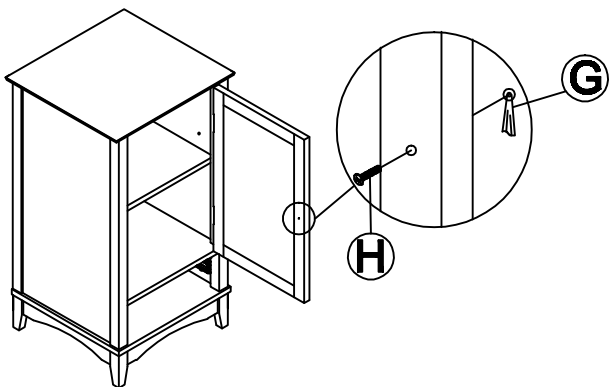
STEP 9



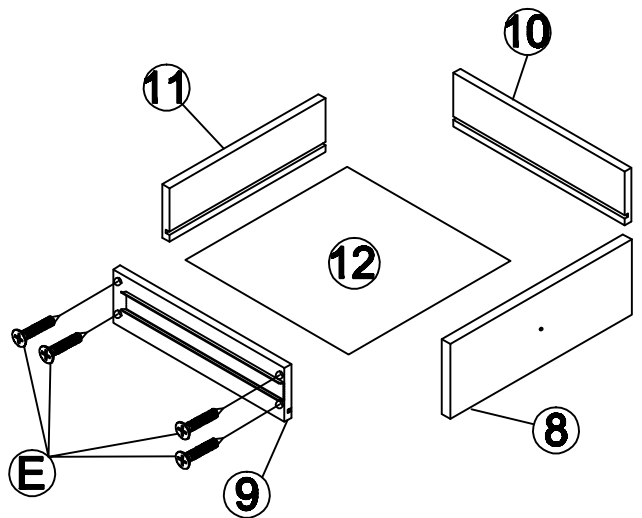
STEP 10



STEP 11

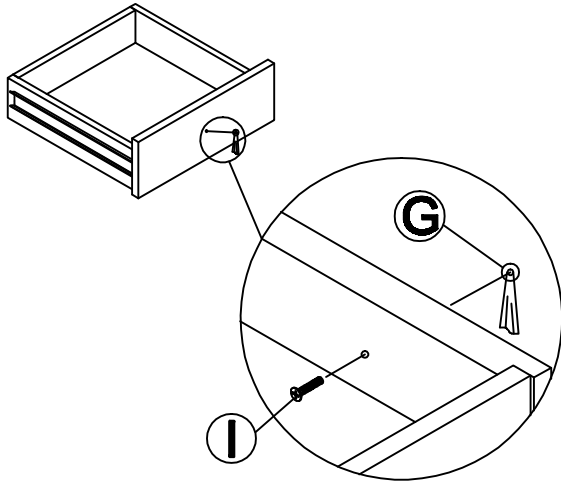


STEP 12

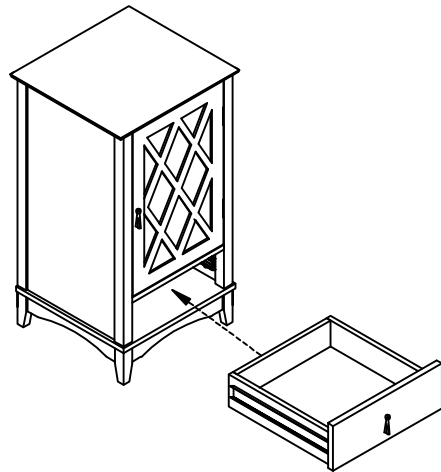


How to assemble:

STEP 13



STEP 14



STEP 15

