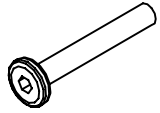
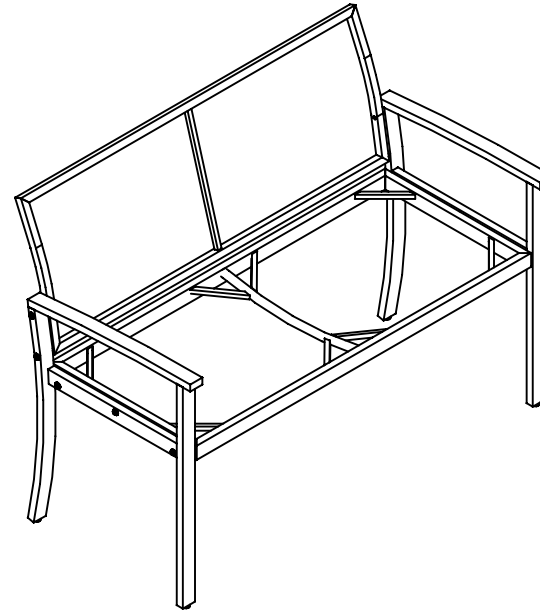
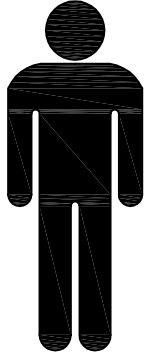
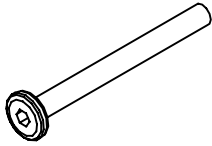


ASSEMBLY INSTRUCTION



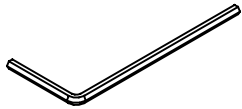
① x 6
M6 x 40



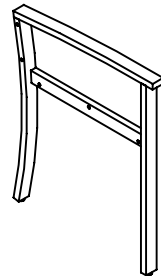
② x 4
M6 x 60



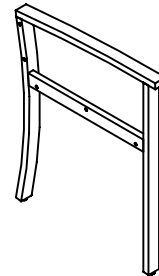
③ x 10
Ø6.5



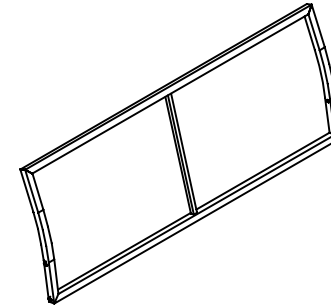
④ x 1



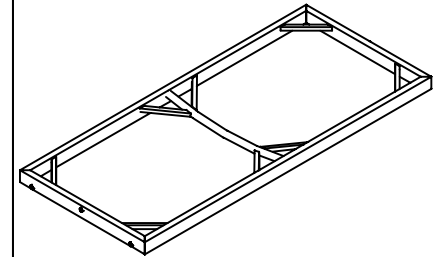
Ⓐ x 1



Ⓑ x 1

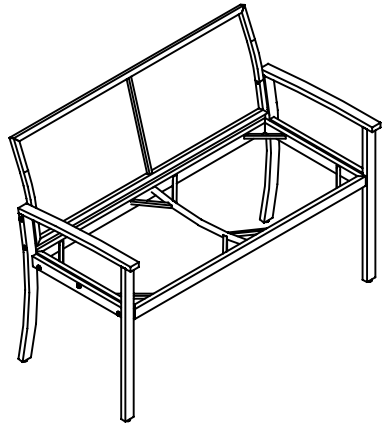


Ⓒ x 1

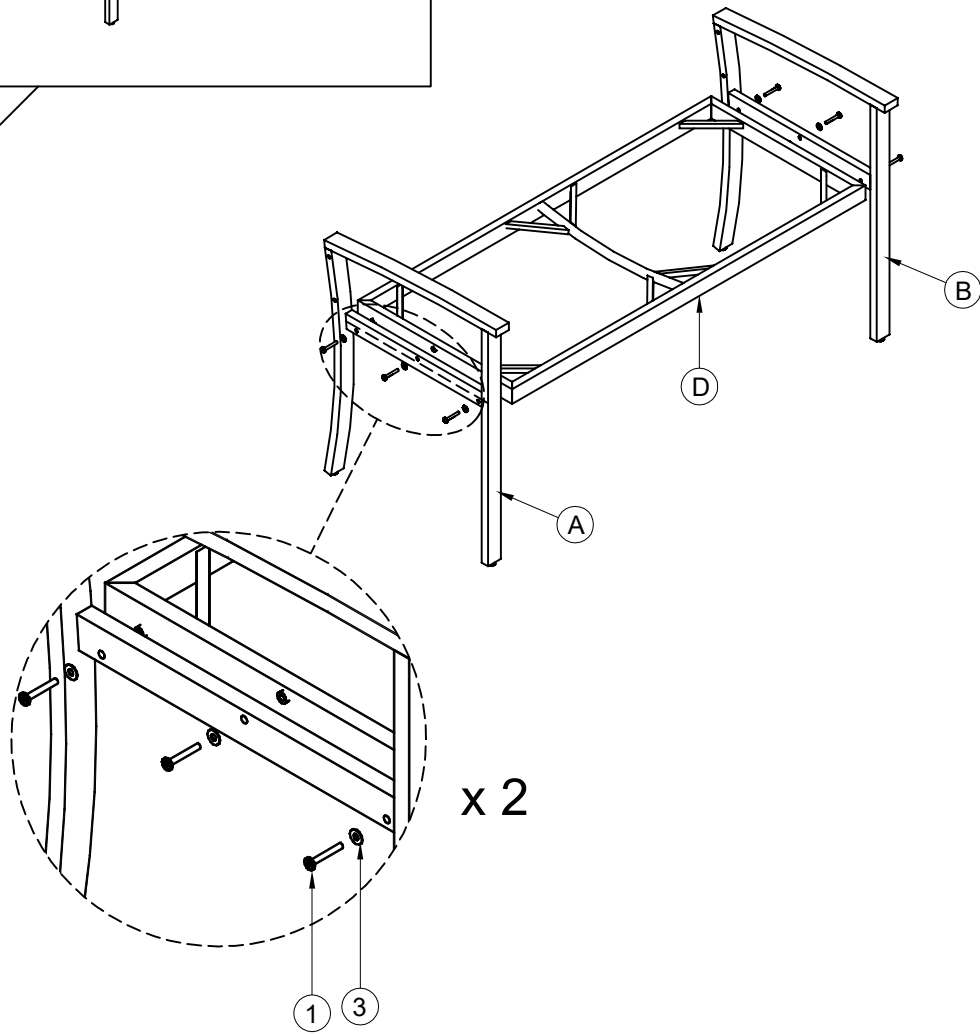


Ⓓ x 1

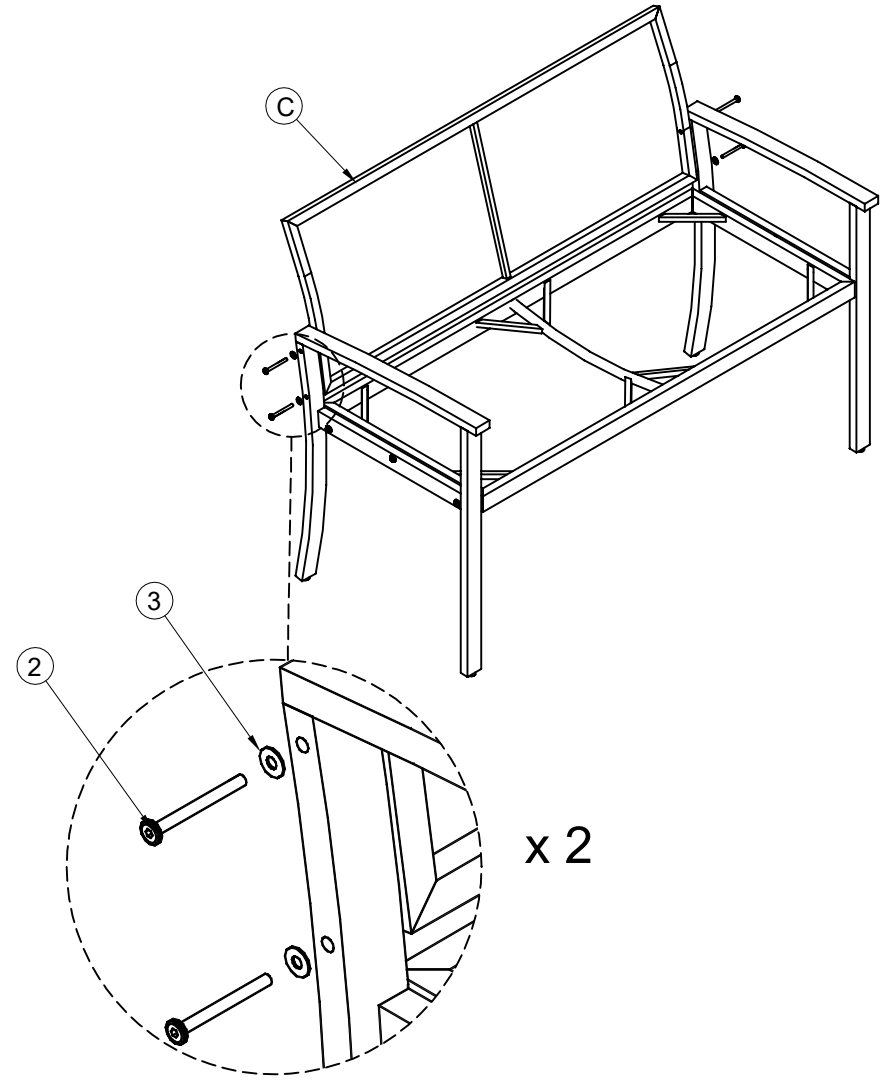
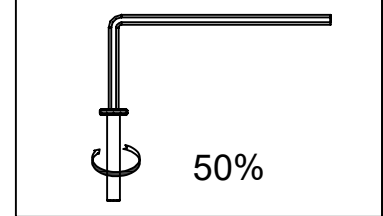
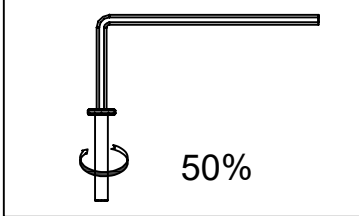
ASSEMBLY INSTRUCTION



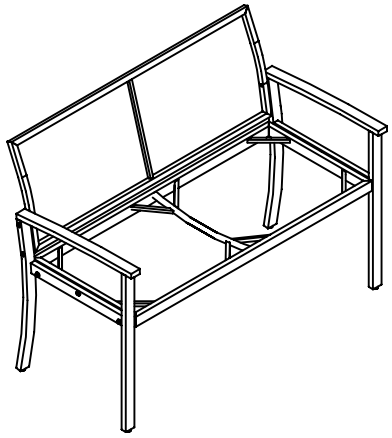
Step 1



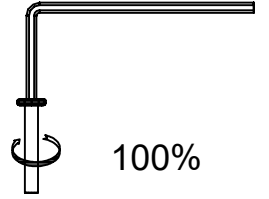
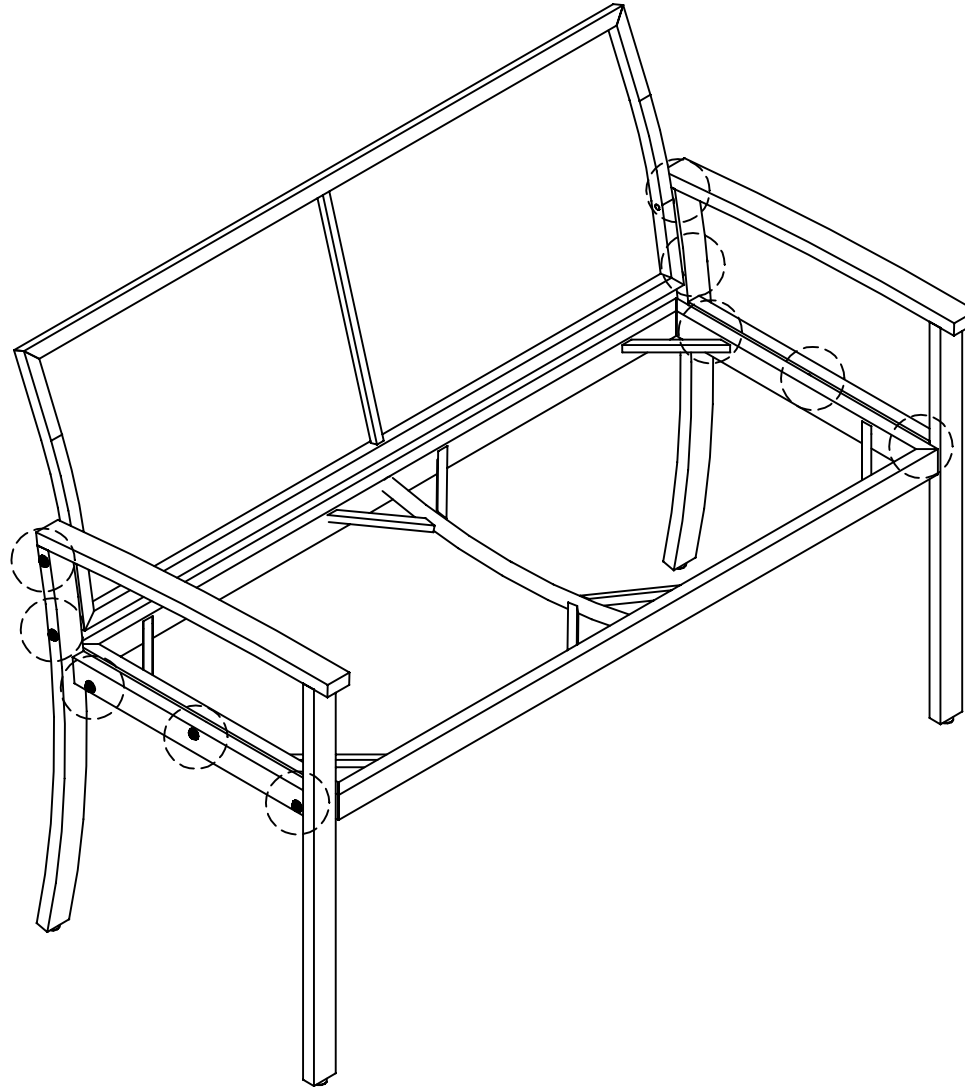
Step 2



ASSEMBLY INSTRUCTION



Step 3



100%