

# Photo ledge installation

## This kit includes:

- One (1) ledge
- Two (2) screws
- Two (2) plugs
- Two (2) sticker

## Tools suggested for this installation

(not included in this package):

- Power drill, 3/8" drill bit, Phillips screwdriver, level

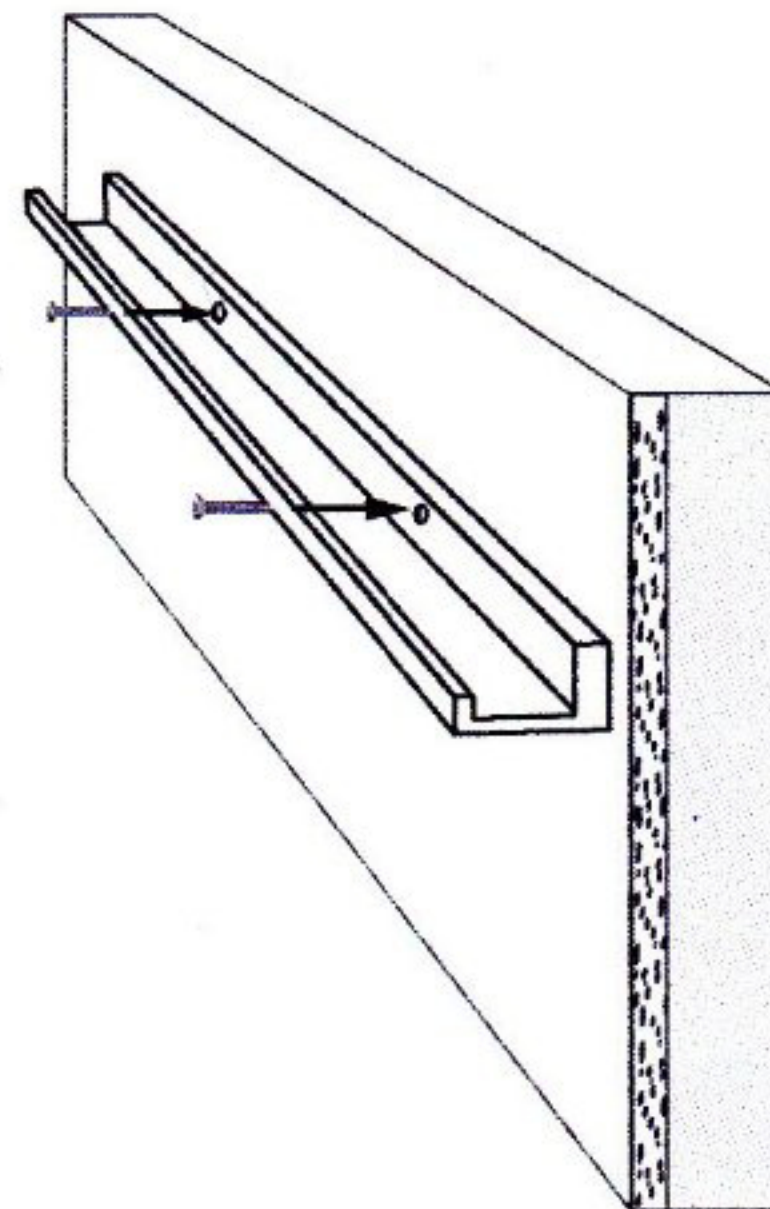
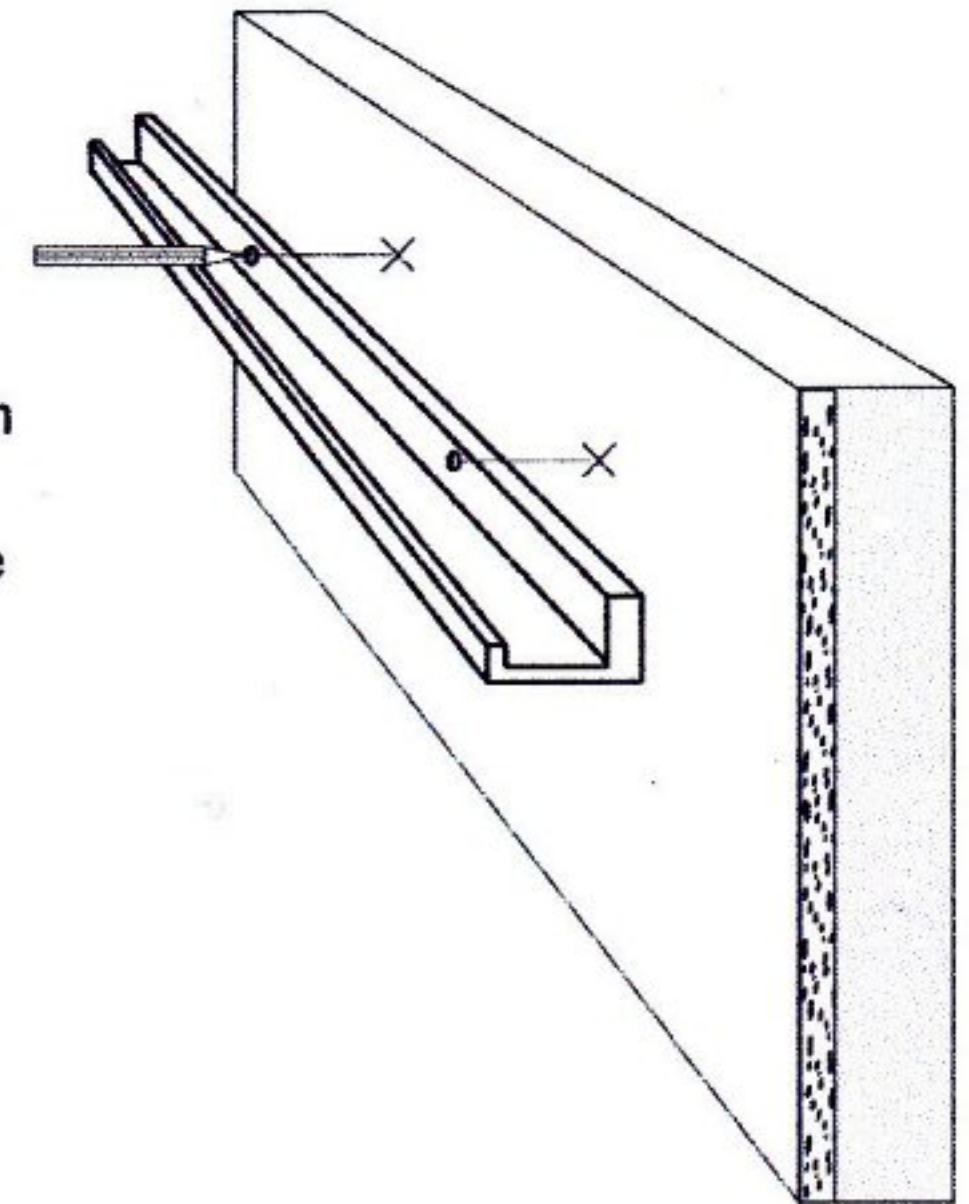
## Assembly time

15 minutes

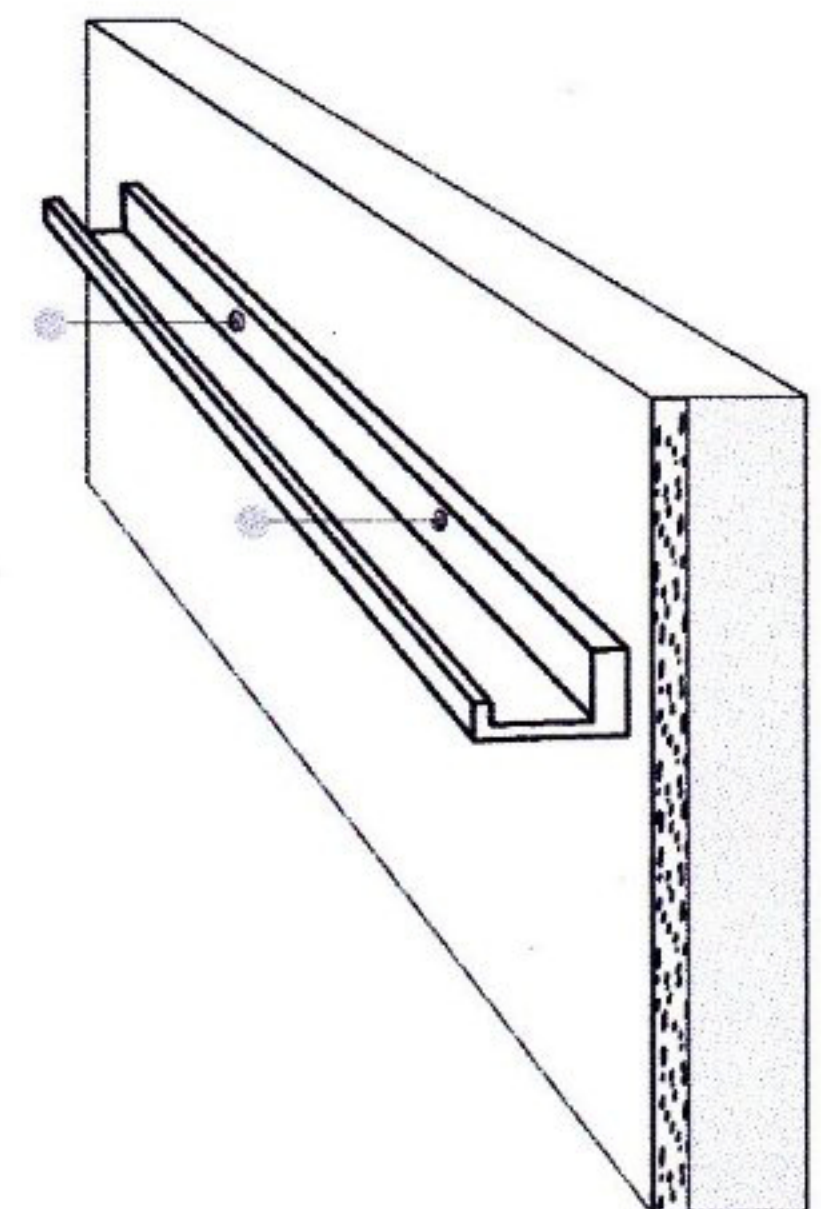
## Note:

Diagram shown may not be an exact representation of the product in the packaging.

1. Use the ledge as a guide, put it against the wall at the desired mounting location, and mark out the locations where the holes on the backside of ledge meet the wall. Please make sure the ledge is level when marking out the holes.



2. Use the 3/8" drill bit to drill holes at the marked out locations, and then insert the plugs. Align the screw hole on the ledge with the drilled holes on wall, insert the screws and tighten it.



3. As a finishing step, use the provided sticker to cover up the screw hole on the ledge.

## Suggested Tools

