

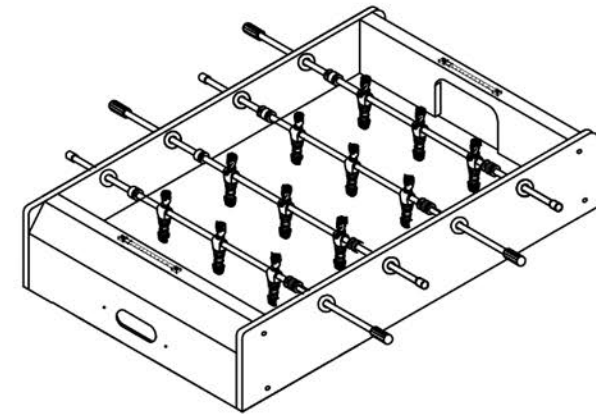
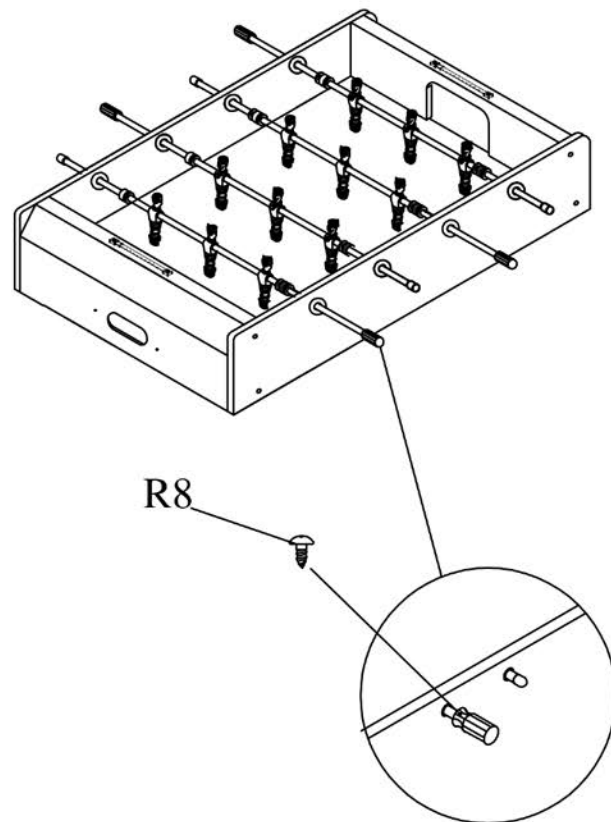
# ASSEMBLY INSTRUCTIONS

## SOCGER TABLE ASSEMBLY



## 20" Table Top Foosball Table Assembly Instructions

FIGURE 6

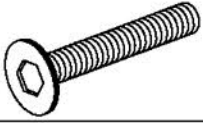
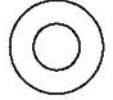
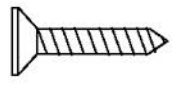




Thank you for choosing Sunnydaze Décor. If you have any questions, comments or concerns please feel free to contact us by phone at: **888-881-4668**, by email: [customerservice@serenityhealth.com](mailto:customerservice@serenityhealth.com), or you could also email us via our contact us page at: [www.SerenityHealth.com/contact-us/](http://www.SerenityHealth.com/contact-us/).

We stand behind our brand and the quality of the items we sell. We will send new parts, or replace products at our discretion within the one year warranty period. Before we can help, you will need to provide proof of purchase with the date of purchase and photos of the defective merchandise. We will use the photos to determine the cause of defect and for future quality control.

# PARTS IDENTIFIER

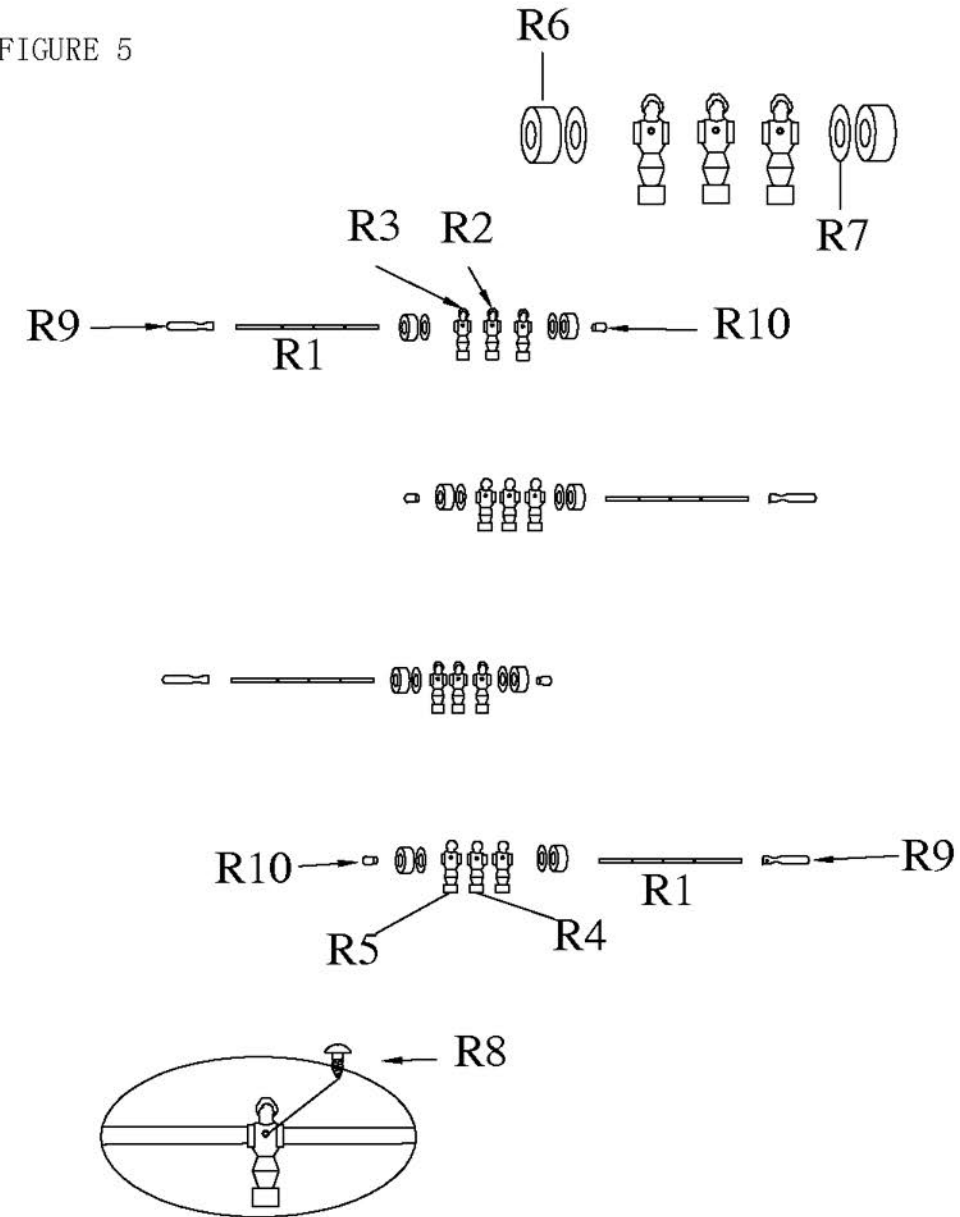
## HARDWARE

	DESCRIPTION	QTY
	<b>#1</b> 1/4" * 1" BOLT	8
	<b>#2</b> 1/4" WASHER	8
	<b>#3</b> 8# * 5/8" SCREW	4
	<b>#4</b> ALLEN WRENCH	1
	<b>#5</b> SOCCER BALL	2

# ASSEMBLY INSTRUCTIONS

## SOCCER TABLE ASSEMBLY

FIGURE 5



# ASSEMBLY INSTRUCTIONS

## SOCCER TABLE ASSEMBLY

FIGURE 3

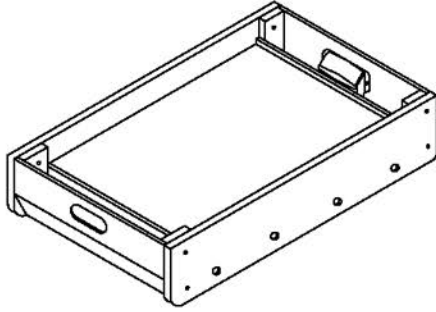
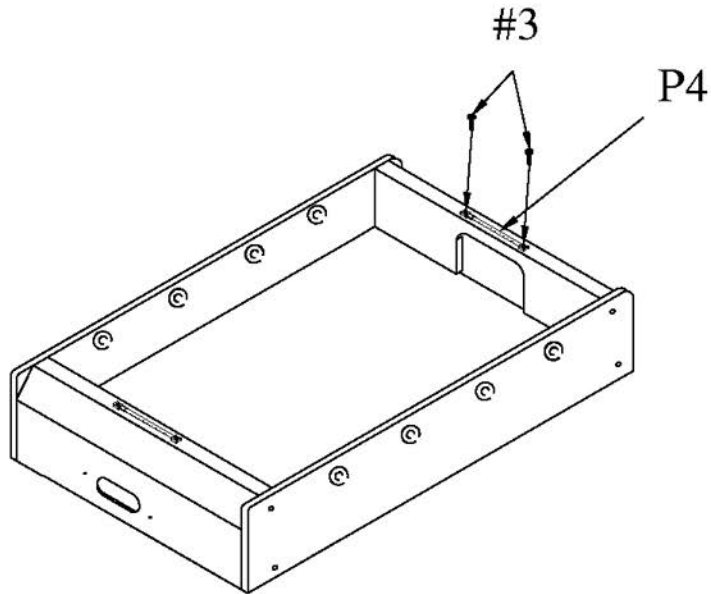


FIGURE 4



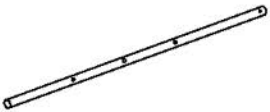






# PARTS IDENTIFIER

## HARDWARE

		DESCRIPTION		
	P1	SIDE	PANEL	2
	P2	END	PANEL	2
	P3	PLAYING	FIELD	1
	P4	SLIDE	SCORER	2

# PARTS IDENTIFIER

## ACCESSORIES

	DESCRIPTION	QTY
	<b>R1</b> 3 PLAYER ROD	4
	<b>R2</b> BLUE MEN	1
	<b>R3</b> RED MEN	5
	<b>R4</b> WHITE MEN	1
	<b>R5</b> YELLOW MEN	5
	<b>R6</b> RUBBER ROD BUSHING	8
	<b>R7</b> WASHER	8
	<b>R8</b> SCREW	16
	<b>R9</b> ROD HANDLE	4
	<b>R10</b> ROD END CUP	4

# ASSEMBLY INSTRUCTIONS

## SOCCER TABLE ASSEMBLY

FIGURE 1

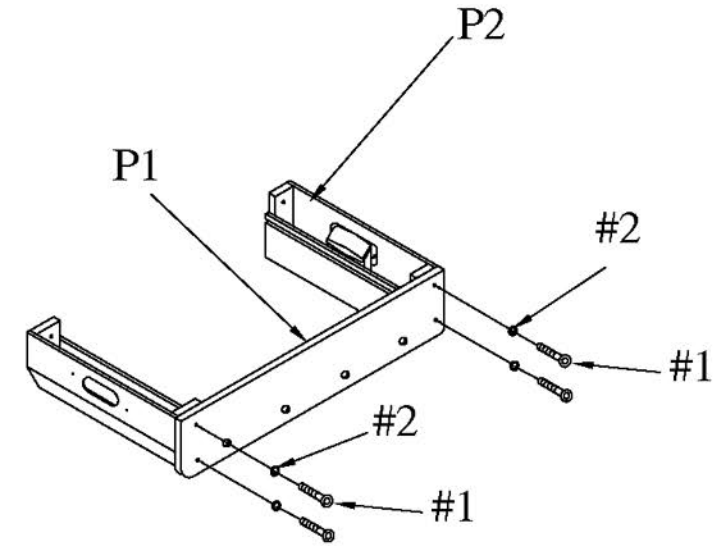


FIGURE 2

