

BARNDOOR

• H A R D W A R E •



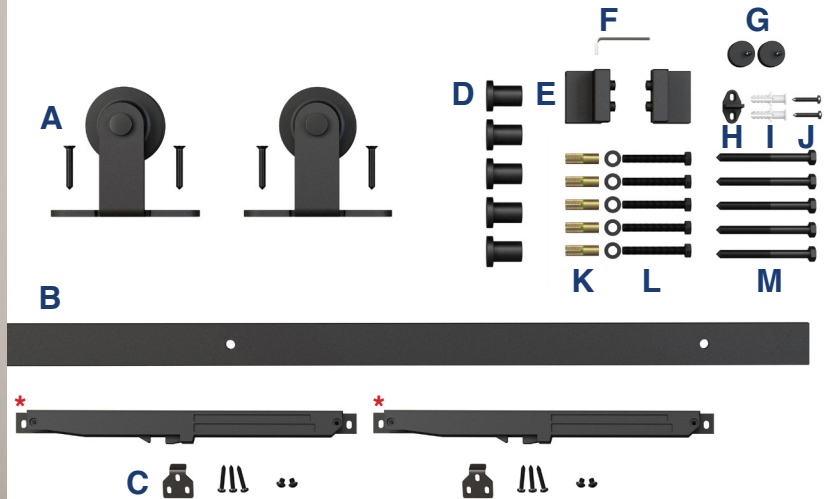
HARDWARE KIT

FOR SLIDING SINGLE WOOD DOORS

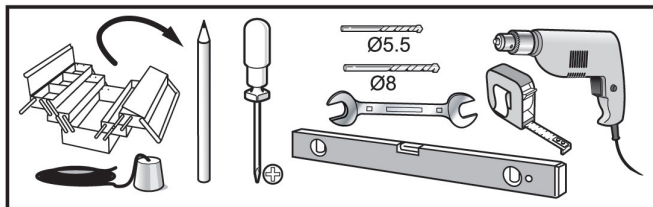


MODEL No. 5APD10759

INSTALLATION MANUAL



TOOLS REQUIRED



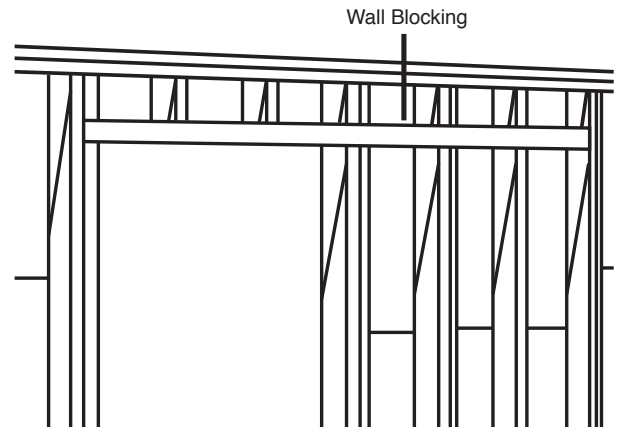
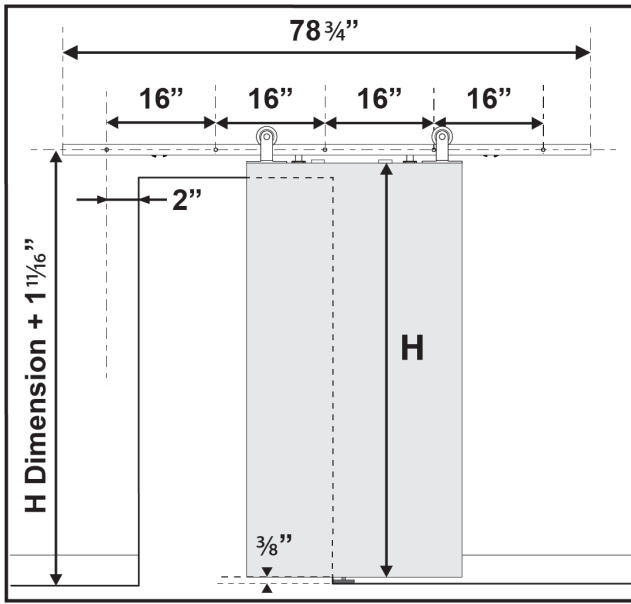
- Plumb Line
- Pencil
- Phillips Head Screwdriver
- 5.5mm Drill Bit
- 8mm Drill Bit
- Wrench
- Level
- Tape Measure
- Power Drill

INCLUDED IN KIT

A	Door Roller Hardware	x2
B	78" Rail + Soft Closing Mechanism (x2)*	x1
C	Soft Close Trigger Hardware	x2
D	Wall Bracket	x5
E	Door Stop	x2
F	2.5mm Allen Key	x1
G	Anti-Jump Disk	x2
H	Routed Floor Guide	x1
I	Floor Anchor	x2
J	ST4.2x25 Screw	x2
K	M8x30 Wall Anchor	x5
L	M8x60 Bolt + Washer	x5
M	M8x90 Bolt	x5

* Soft Closing Mechanisms are pre-attached to rail.

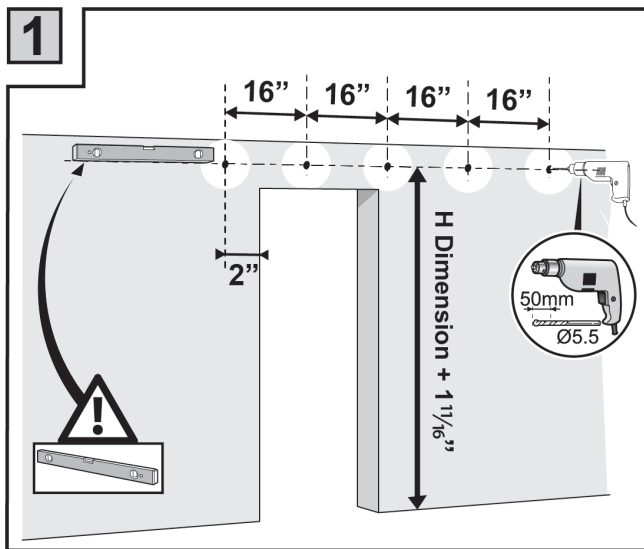
American Pro Decor assumes no liability for improper installation.



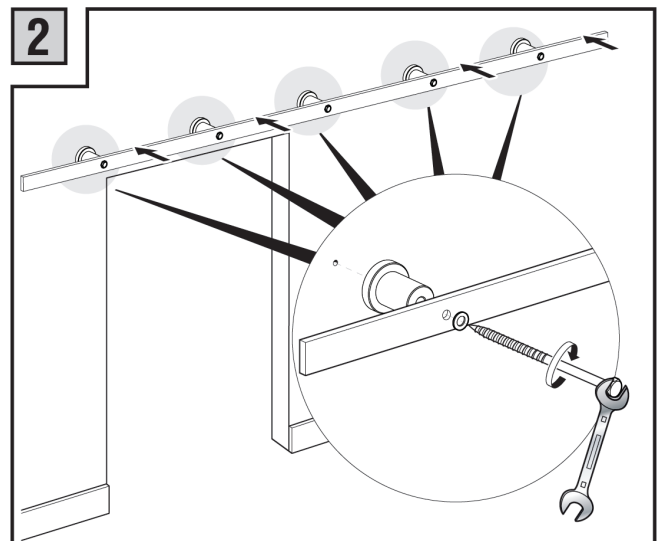
NOTES

Minimum door overlap on guide is 2"
 To obtain maximum weight capacity, all fasteners must be mounted into solid wood studs or wall blocking or mounted to a header board.

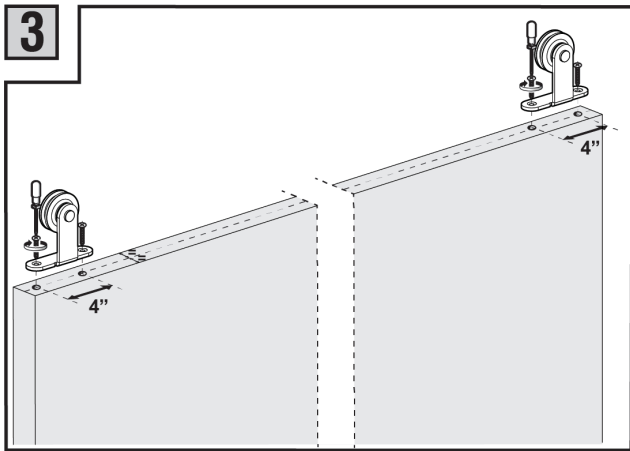
Consult a structural engineer if you have questions about what type of wall blocking is required.



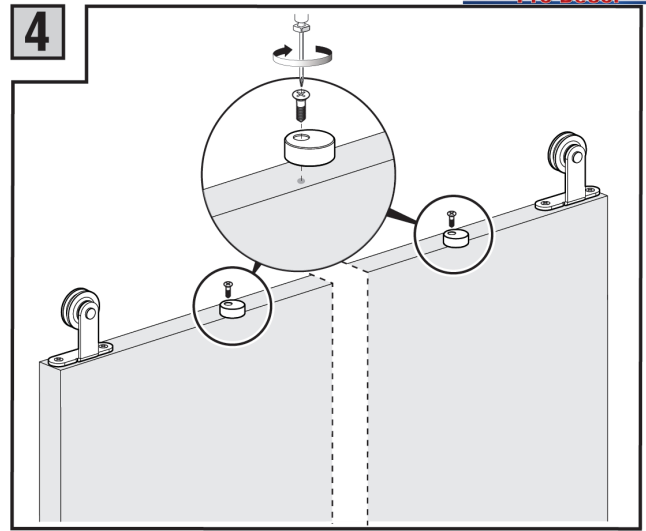
Find the centerline of the track. Using a level, mark a horizontal line twice the door width long. Mark the bracket screw locations into the wall blocking. Attach the wall portion of the brackets as shown.



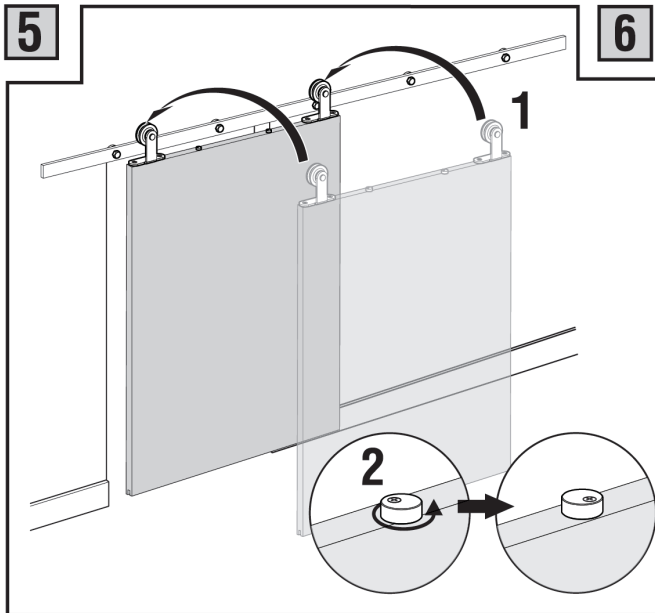
Attach the rail to the wall brackets using a wrench to fasten the bolts as shown.



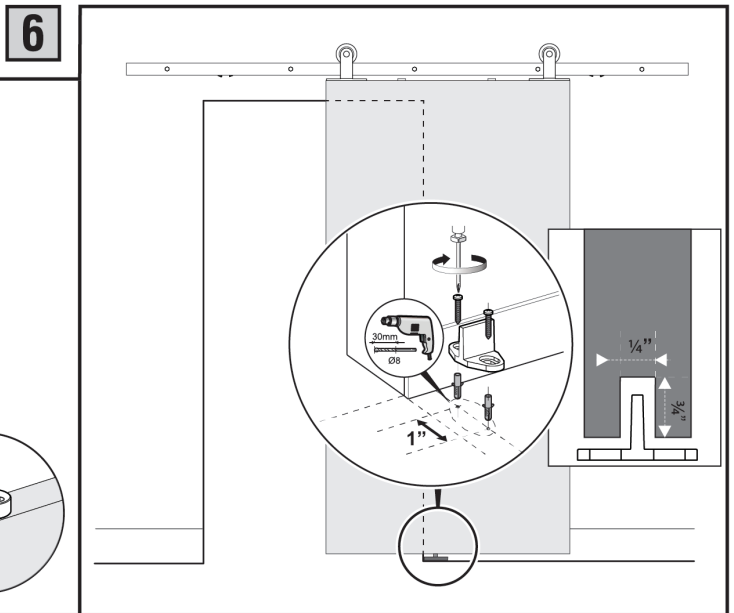
Drill holes in the top of the door 4" from the edge as pictured to accommodate the door rollers. The bottom of the doors should be routed at this time in order to accept the floor guide.



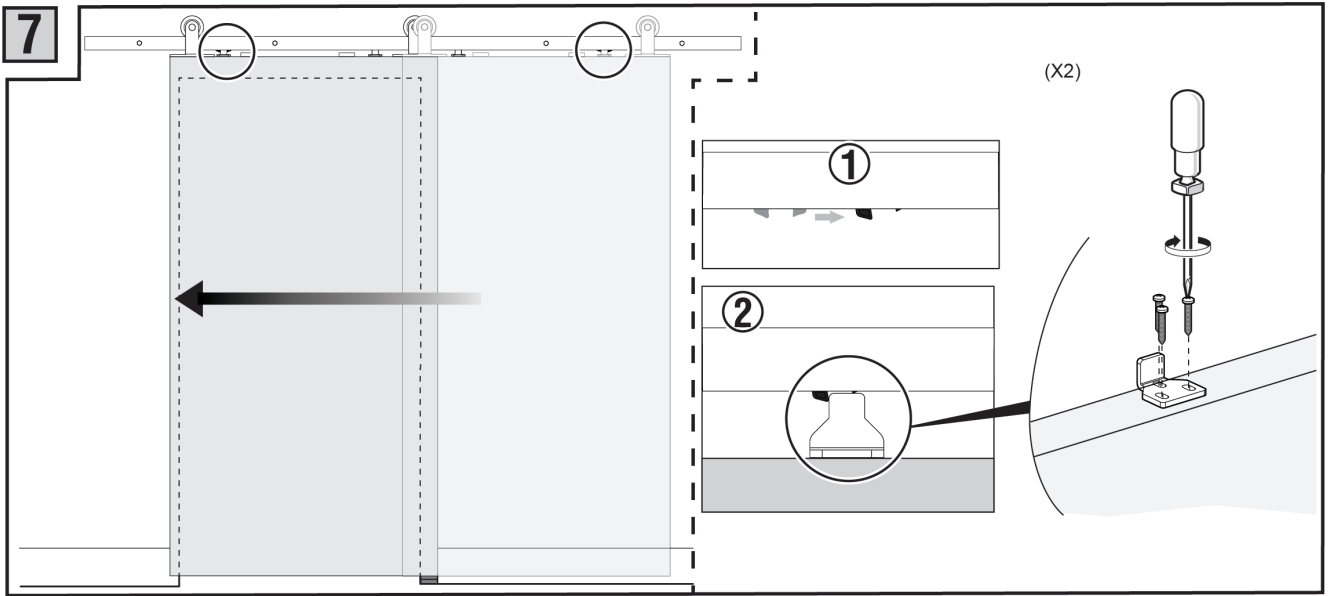
Attach the anti-jump disks to the tops of the door.



Attach the door to the rails making sure that the anti-jump disks are engaged to avoid a serious accident.

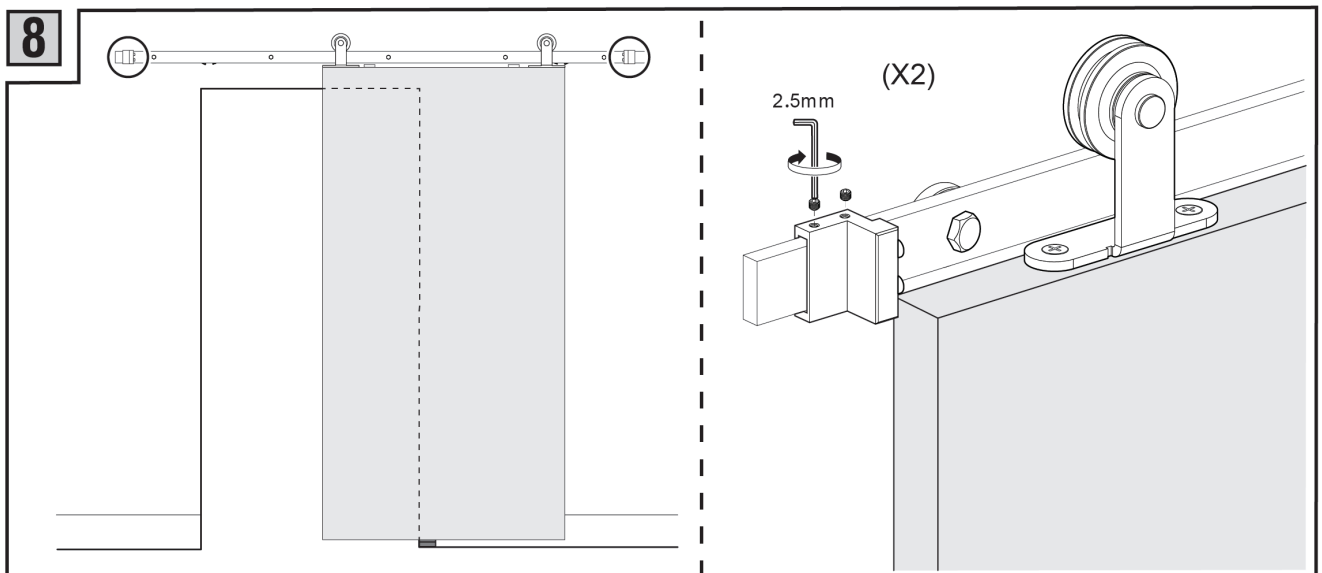


Plumb the door and mark the positions of the floor guides. Mount the floor guides to the floor.



Set the catches on the soft-closing mechanism to the open position. To determine the positioning of the soft-close triggers, it is recommended that the doors be moved to the fully open position. Determine where the soft-close trigger would engage the soft-close mechanism and mark your drill holes on the top of the door. Move the door to the fully closed position and repeat to determine the placement of the second soft-close trigger.

It may be necessary to adjust the height of the door roller hardware in order to accommodate the soft-close trigger. Make any adjustments with the provided adjustable installation wrench then mount the soft-close triggers to the door.



Adjust the door stops accordingly using the provided 2.5mm Allen key.