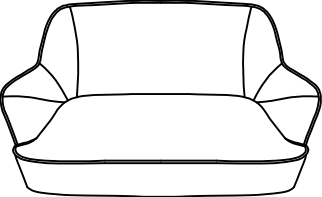
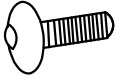
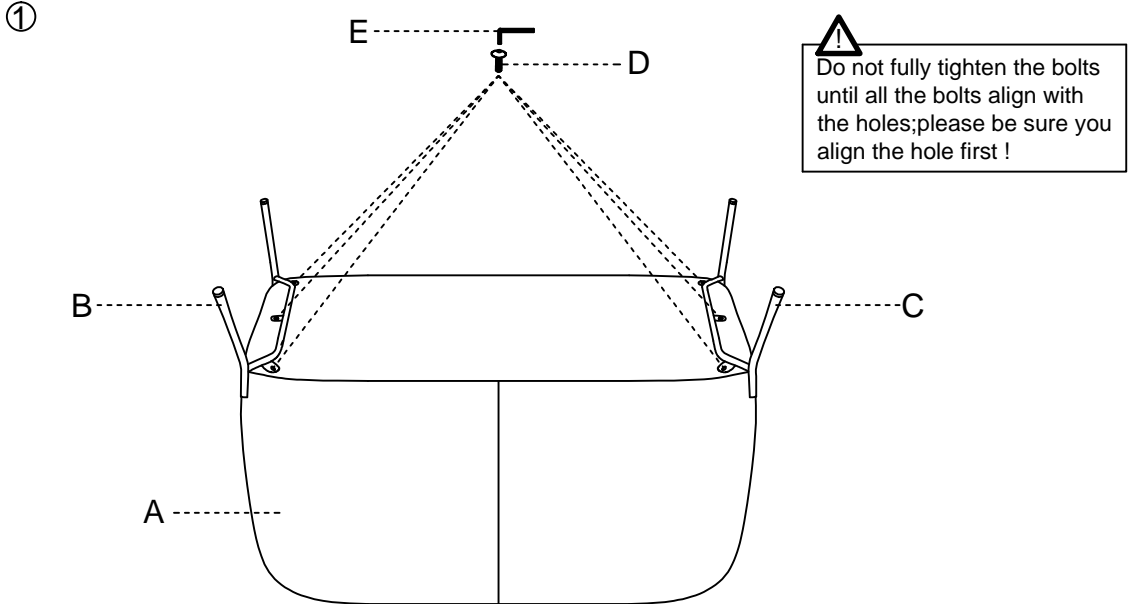



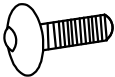
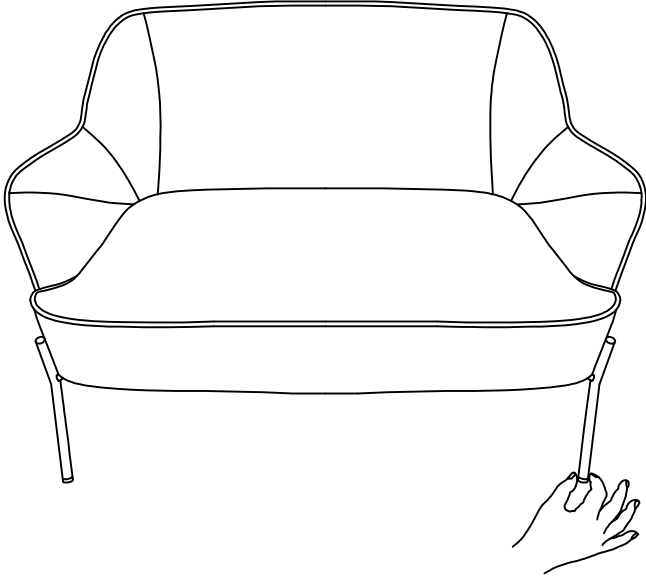


Assembly Instructions

<p>A*1</p> 	<p>D*6 M6*20mm</p> 	<p>①</p>  <p>Do not fully tighten the bolts until all the bolts align with the holes; please be sure you align the hole first !</p>
<p>B*1</p> 	<p>E*1 M5</p> 	
<p>C*1</p> 	<p>F*1 M6*20mm</p>  <p>EXTRA PARTS</p>	<p>③</p>  <p>Attention: After installation, adjust the two foot nails in front of the chair to keep the chair balanced !</p>