



ZLINE



KITCHEN FAUCETS

Installation Guide
and Users Manual



This product can expose you to chemicals including nickel, which is known to the State of California to cause cancer, and birth defects or other reproductive harm. For more information go to www.P65Warnings.ca.gov.

Even though the materials used in all ZLINE Kitchen and Bath products conform to all federal government regulations and all national product standards, California's Prop 65 requires all businesses to provide a "clear and reasonable warning" if one or more listed chemicals may be present in the product, even if that chemical is present in trace quantities



Inspired by the clear, serene waters of the stunning Lake Tahoe, ZLINE Kitchen Faucets provide the ultimate luxury experience at the center of your home. Designed to seamlessly match every kitchen, ZLINE Faucets are offered in a wide selection of contemporary styles and designer finishes. With ergonomic control in mind, these faucets offer the perfect amount of aerated water pressure at 1.8 gal/min, allowing for an eco-friendly and efficient washing experience.

Each faucet is precision tested, as they undergo over 50,000 unit tests - a step above the industry standard of 15,000 tests. Have peace of mind knowing ZLINE Faucets are cUPC Certified, ensuring the materials used are durable and lead-free. Discover what makes Attainable Luxury® the core essence of ZLINE Kitchen with these designer kitchen faucets.

TABLE OF CONTENTS

● SAFETY INSTRUCTIONS	1
Prior to Installation	
Safety Tips	
Installation Preparation	
Care and Maintenance	
Notes	
● SPRING FAUCETS	2
Parts	
Tools	
Assembly	
● PULL DOWN FAUCETS	6
Parts	
Tools	
Assembly	
● DA VINCI (DAV-KF-BN) PULL DOWN FAUCET	11
Parts	
Tools	
Dimensions	
Assembly	
● SINGLE HANDLE FAUCETS	16
Parts	
Tools	
Assembly	
● DOUBLE HANDLE FAUCETS	21
Parts	
Tools	
Assembly	
● TROUBLESHOOTING	26

SAFETY INSTRUCTIONS

Prior to Installation

- Make sure that the cold and hot water lines are turned off.
- Wrap all threaded connections with plumber's tape. Always wrap in a clockwise direction.
- Cover your drain to avoid losing parts.
- Do not disassemble the main faucet body, as it has been installed and commissioned correctly and precisely before delivery to the factory.
- To keep the faucet from jamming, flush the water pipe before installation.

Operating conditions: Working pressure at 0.05-1.0 MPa (including cold and hot water pressure) with applicable water temperature: 39.2°F - 194°F.

Water supply line length: 22.25"

Sprayer length: 35.75"

Installation Preparation

1. Shut off the water and let the water in the current faucet drain.
2. Assemble needed tools. The tools needed for each installation are included at the beginning of each section.
3. Loosen the hardware that keeps the current faucet in place. Remove faucet.

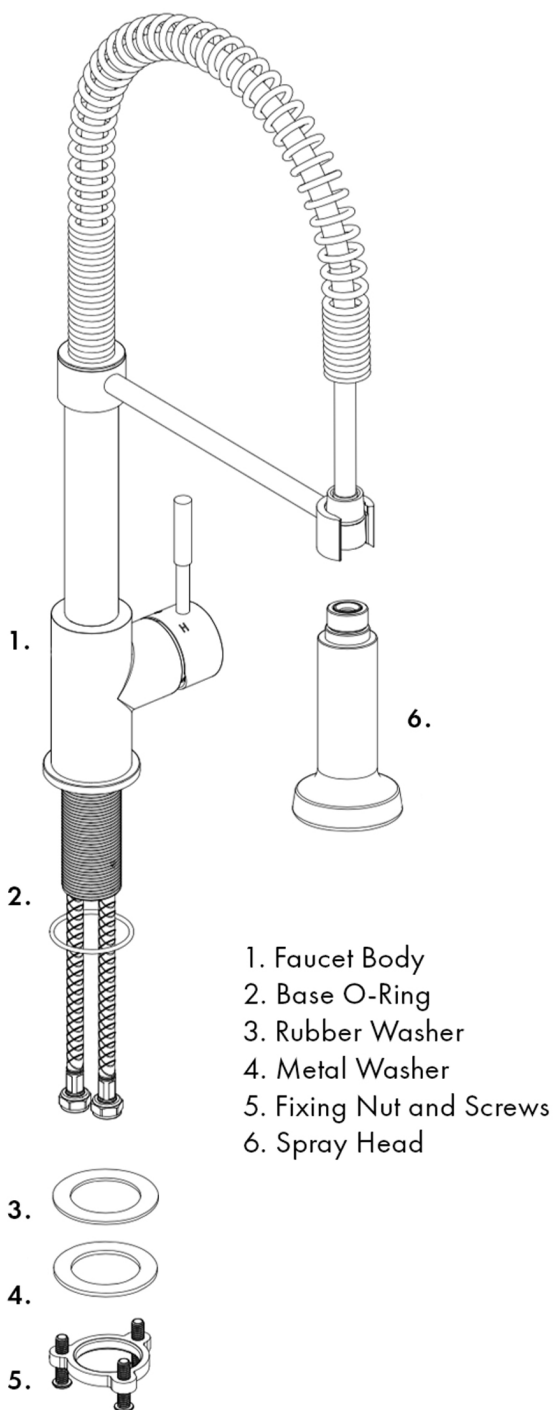
Care and Maintenance

To keep the product clean and shining, follow the steps below:

1. Rinse clean with water and dry with a soft cloth.
2. Do not clean with soaps, acid, polish, abrasives, or harsh cleaners.
3. Do not use cloth with a coarse surface.
4. Unscrew the aerator and clean when necessary.

- If soldering the water connections when installing the faucet, remove the O-rings, cartridges, and washers before applying any heat.
- Protect your eyes when cutting or soldering.
- Do not over tighten screws/nuts. Finger tighten, then use a wrench/Philips-head screwdriver to tighten the fixing screw/nut until snug.

SPRING FAUCET



SPRING FAUCET

Tools:



Wrench



Phillips-head screwdriver



Bucket

Time required:



+/- 45 minutes

Legend:



Hot Water



Cold Water



Grease

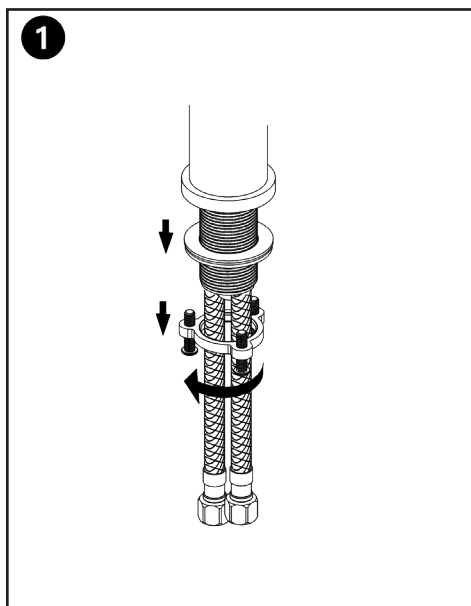


Warning

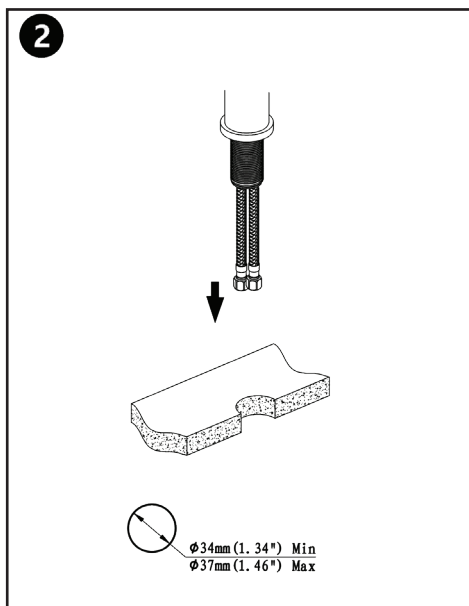


Plumber's Tape -
Used for a watertight seal on
threaded pipe joints.

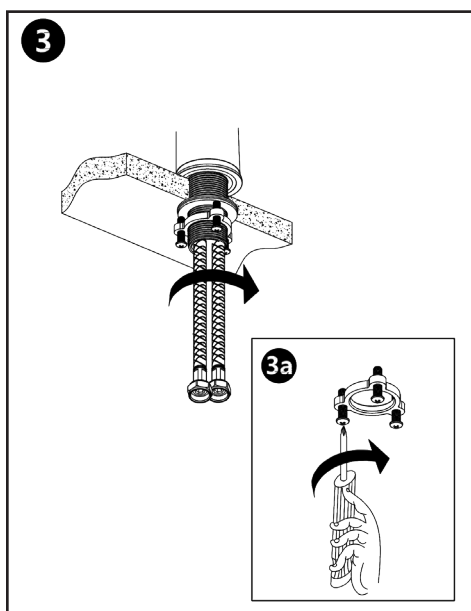
SPRING FAUCET



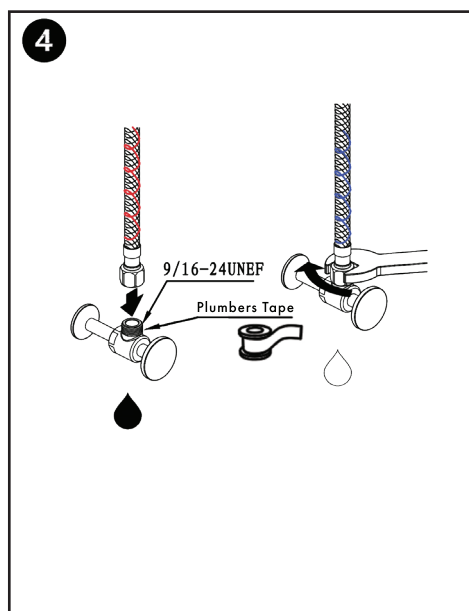
Loosen the fixing nut and screws and put aside.



Mount faucet to counter top.

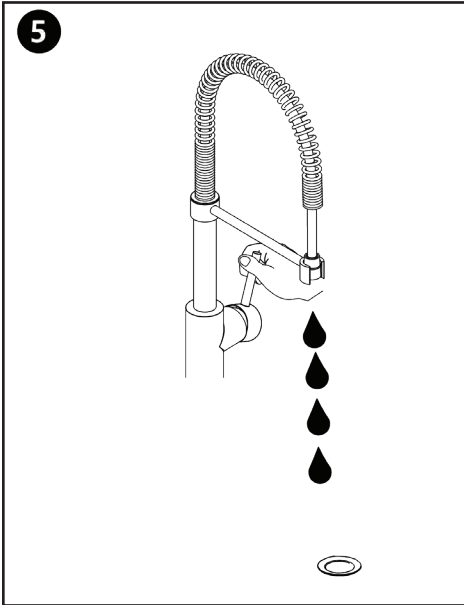


Secure the hardware into place with the Base O-ring, nuts, and screws.

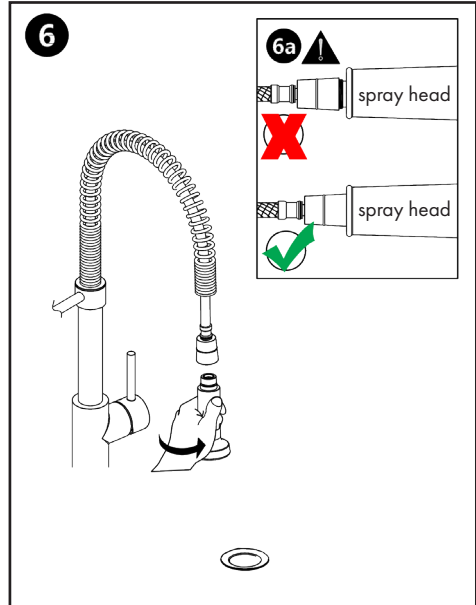


Secure the hoses to the hot (red) and cold (blue) lines appropriately.

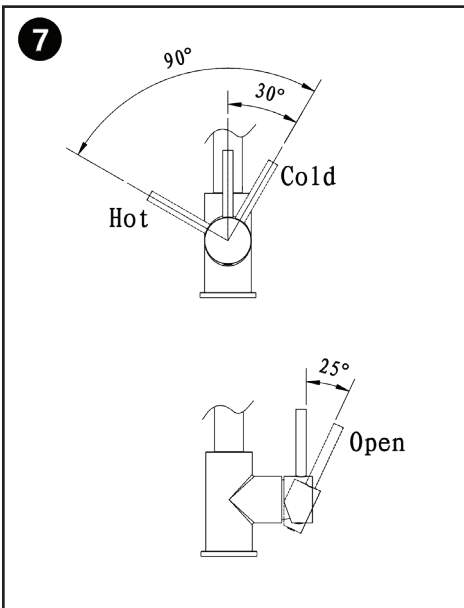
SPRING FAUCET



Test the faucet.

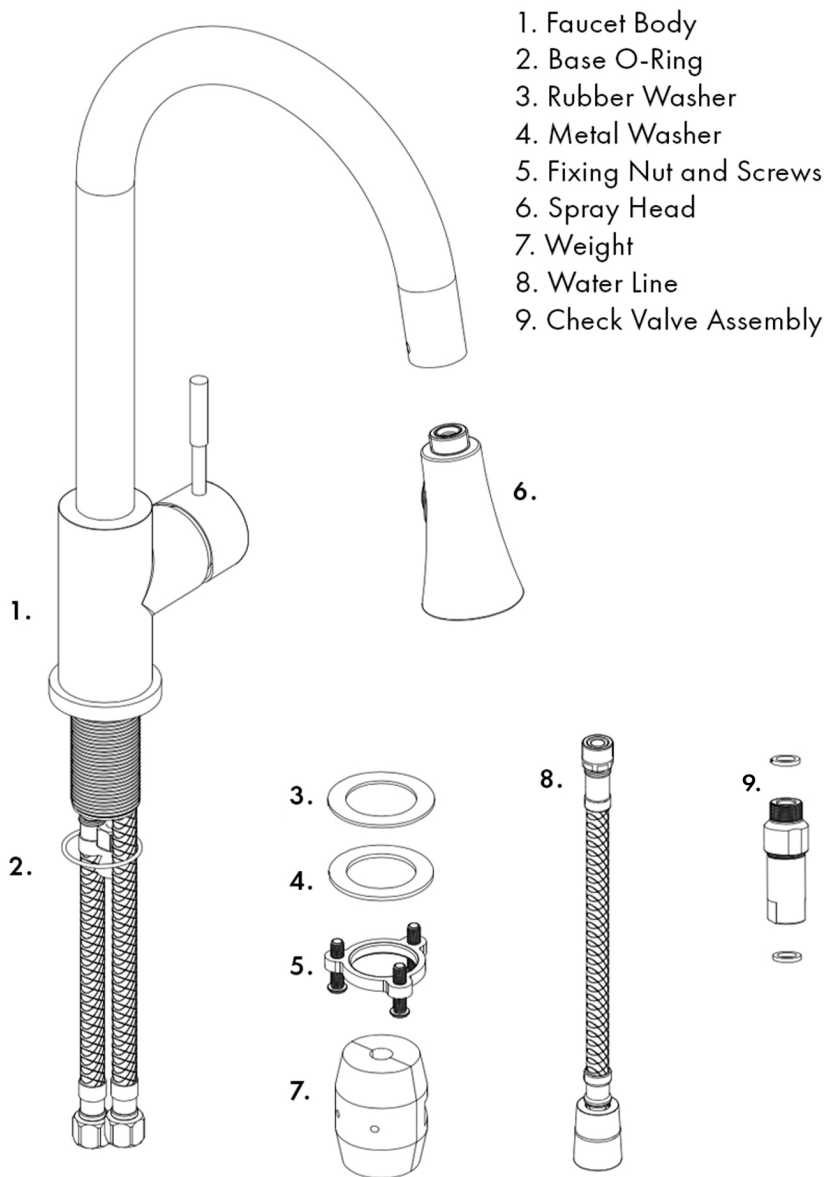


Make sure that the spray head is properly secured.



Review the diagram to understand the hot, cold, and open settings.

PULL DOWN FAUCETS

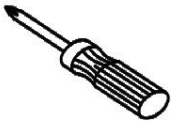


PULL DOWN FAUCETS

Tools:



Wrench



Phillips-head screwdriver



Bucket

Time required:



+/- 45 minutes

Legend:



Hot Water



Cold Water



Grease

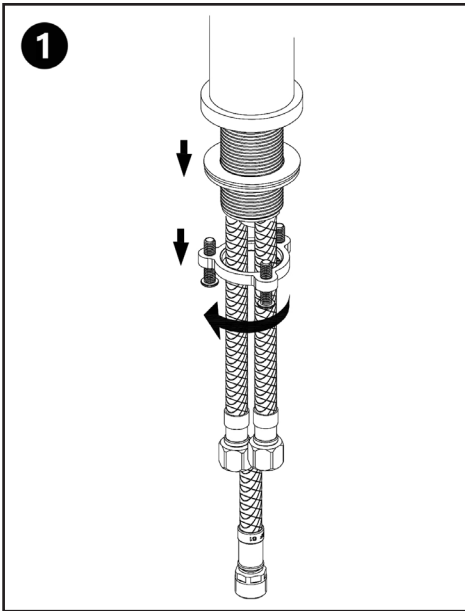


Warning

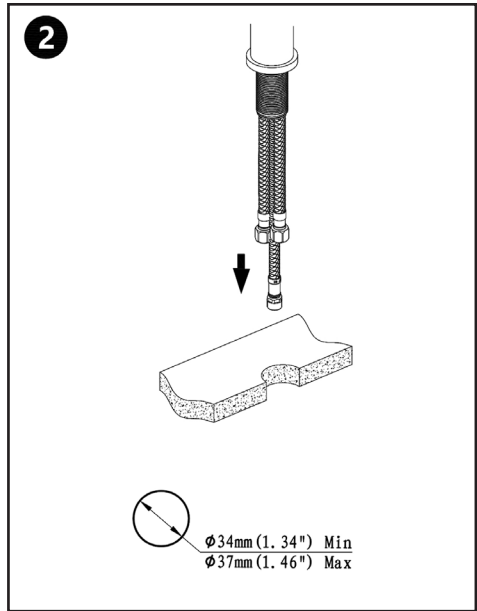


Plumber's Tape -
Used for a watertight seal
on threaded pipe joints.

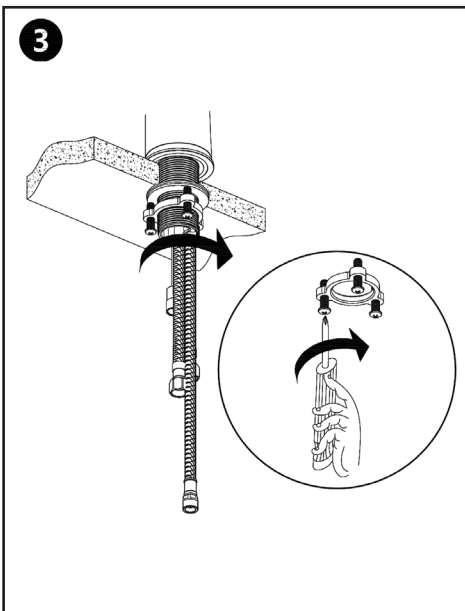
PULL DOWN FAUCETS



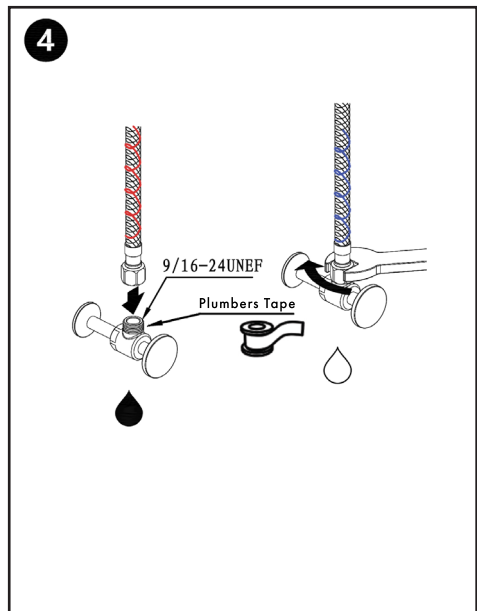
Loosen the fixing nut and screws and put aside.



Mount faucet to counter top.

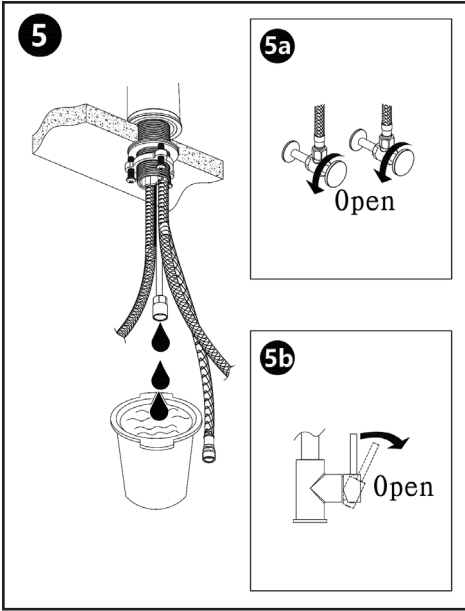


Secure the hardware into place with the Base O-ring, nuts, and screws.

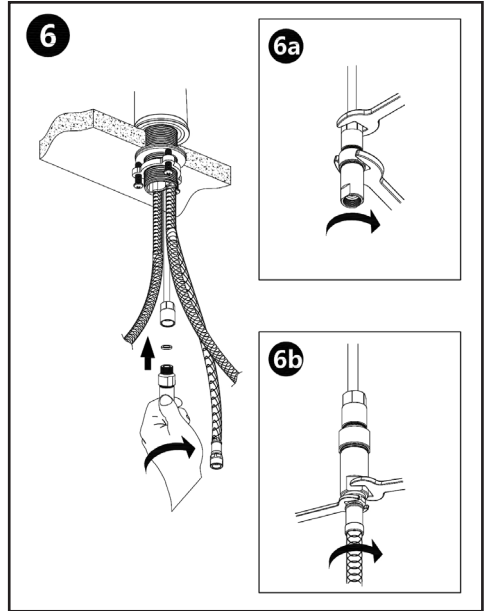


Secure the hoses to the hot and cold lines appropriately.

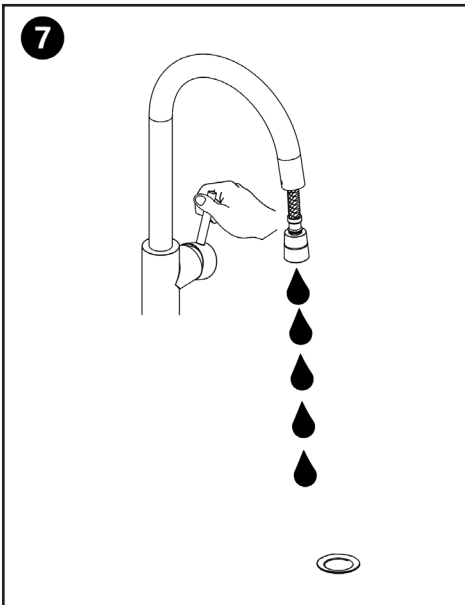
PULL DOWN FAUCETS



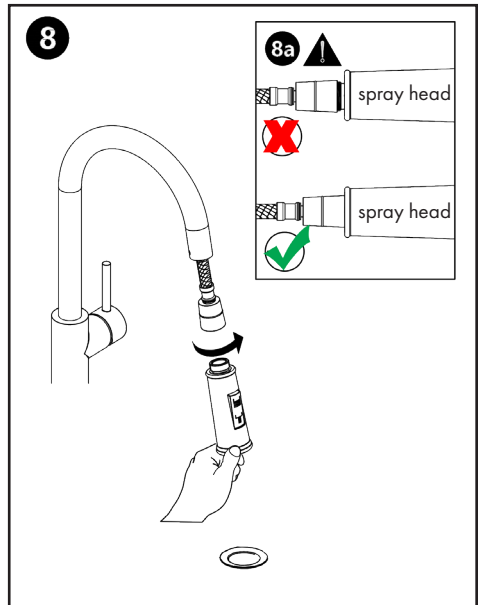
Drain the valve.



Secure the hardware into place.

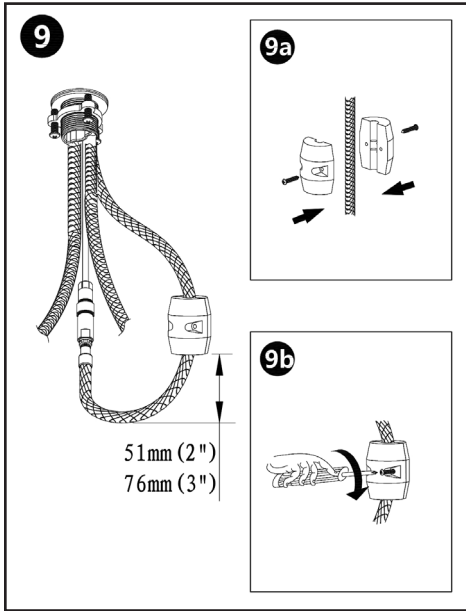


Test the faucet.

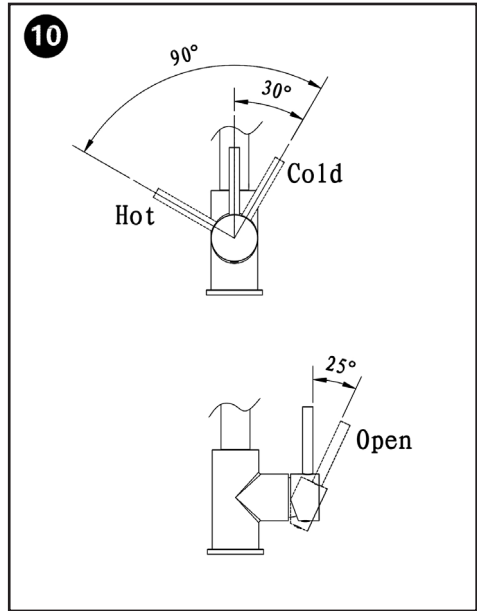


Make sure that the spray head is properly secured.

PULL DOWN FAUCETS

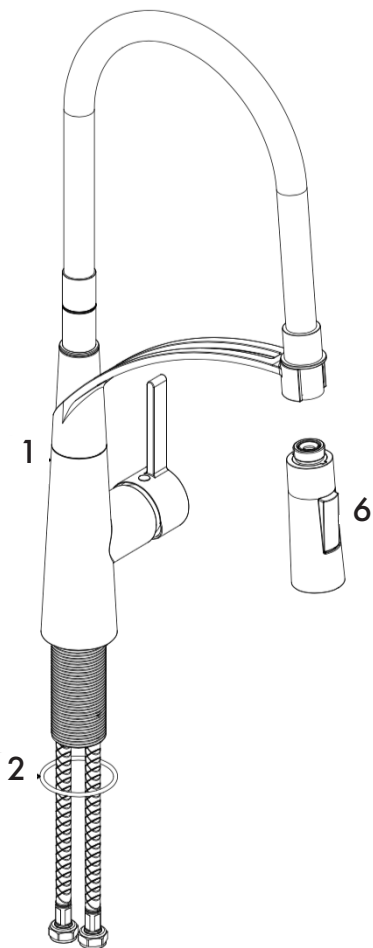


Apply the weight to the center of the hose for even distribution.

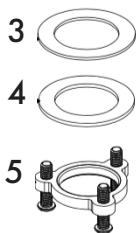


Review the diagram to understand the hot, cold, and open settings.

DA VINCI PULL DOWN FAUCET (DAV-KF-BN)



1. Faucet Body
2. Base O-Ring
3. Rubber Washer
4. Metal Washer
5. Fixing Nut and Screws
6. Spray Head

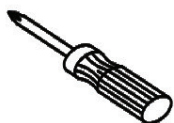


DA VINCI PULL DOWN FAUCET (DAV-KF-BN)

Tools:



Wrench



Phillips-head screwdriver



Bucket

Time required:



+/- 45 minutes

Legend:



Hot Water



Cold Water



Grease



Warning

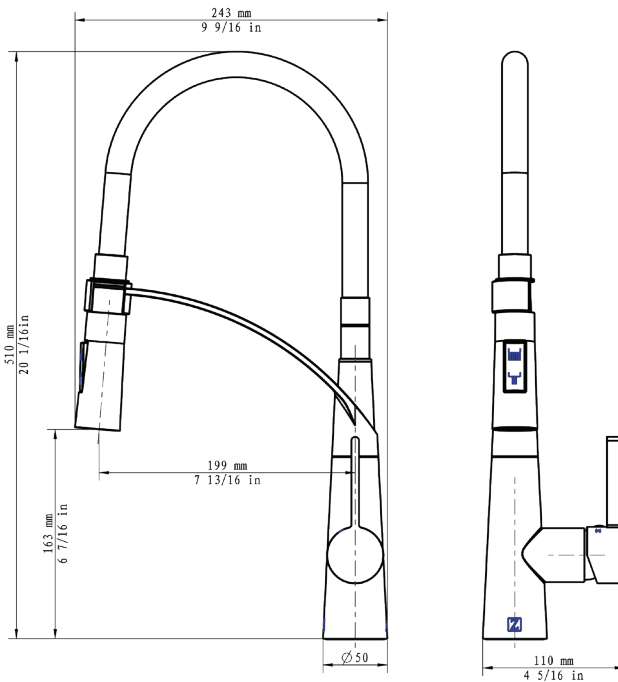


Plumber's Tape -
Used for a watertight
seal on threaded pipe
joints.

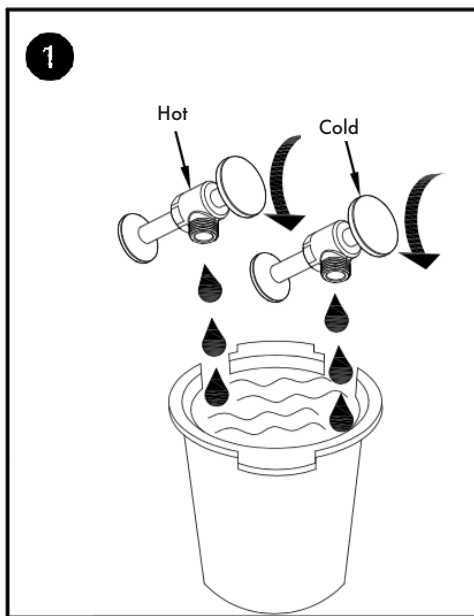
DA VINCI PULL DOWN FAUCET (DAV-KF-BN)

Pull Down Kitchen Faucet Model

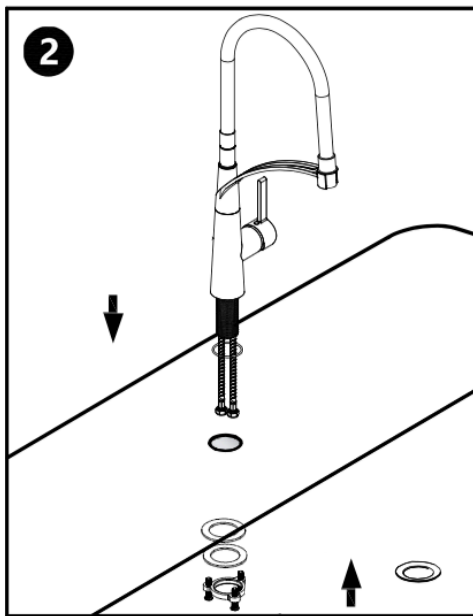
Da Vinci Series (DAV-KF-BN)



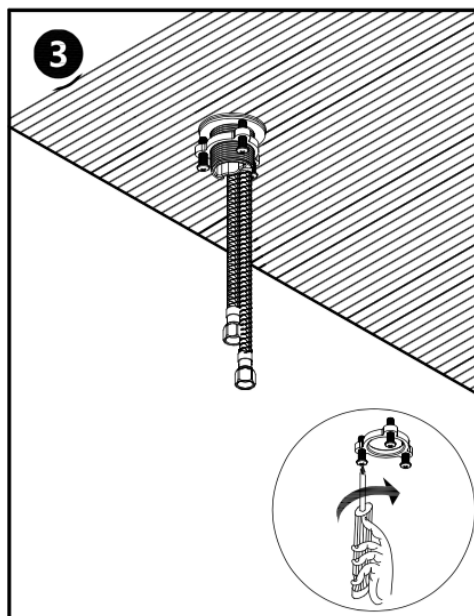
DA VINCI PULL DOWN FAUCET (DAV-KF-BN)



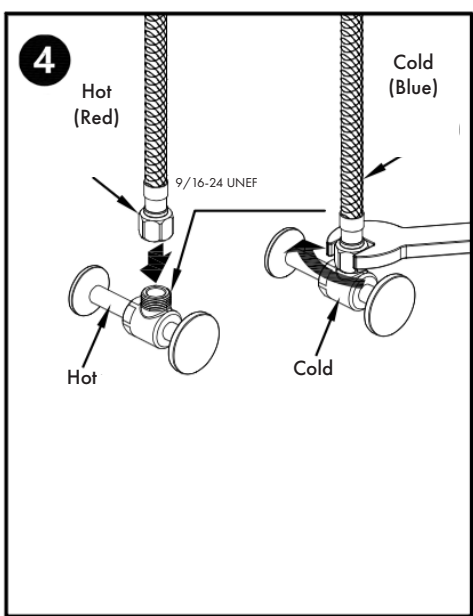
Turn off the water valves and place a bucket beneath, in case of dripping.



Mount the faucet to the counter top.

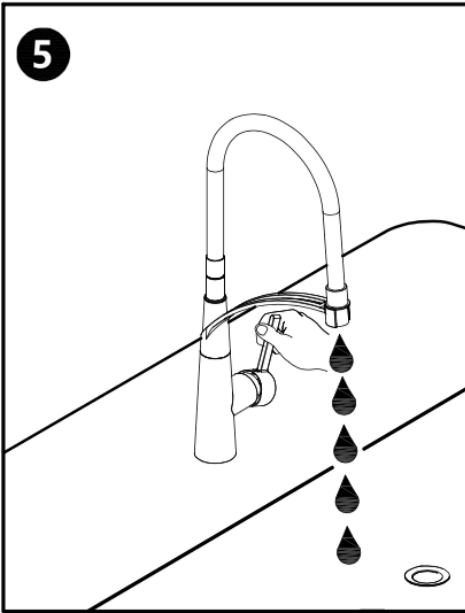


Secure the hardware into place with the Base O-ring, nuts, and screws.

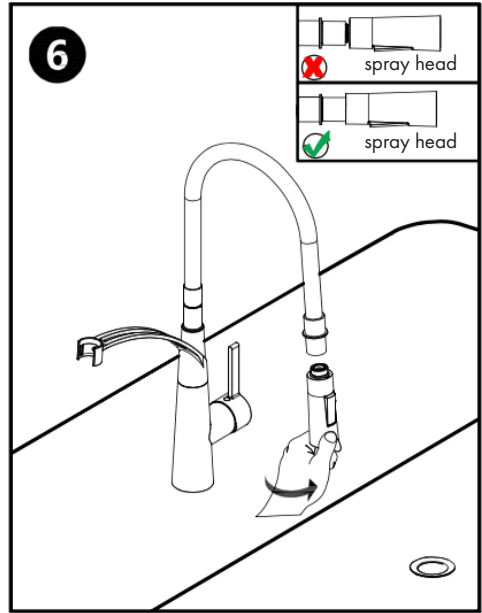


Attach the hot and cold lines to the valves appropriately.

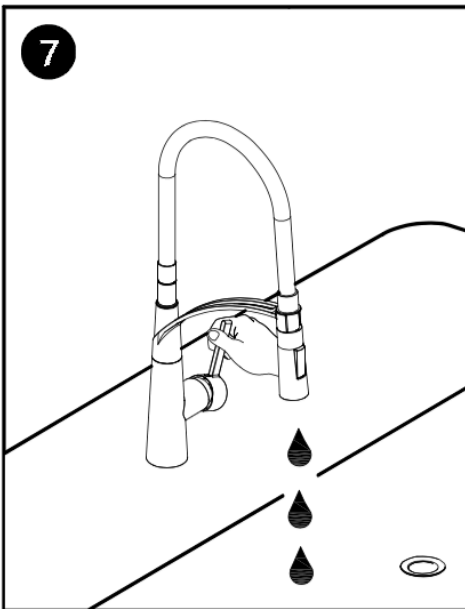
DA VINCI PULL DOWN FAUCET (DAV-KF-BN)



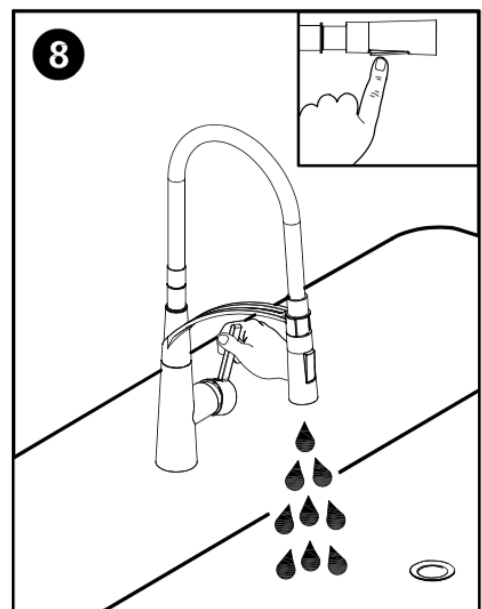
Test the faucet before installing the spray head.



Make sure that the spray head is properly secured.

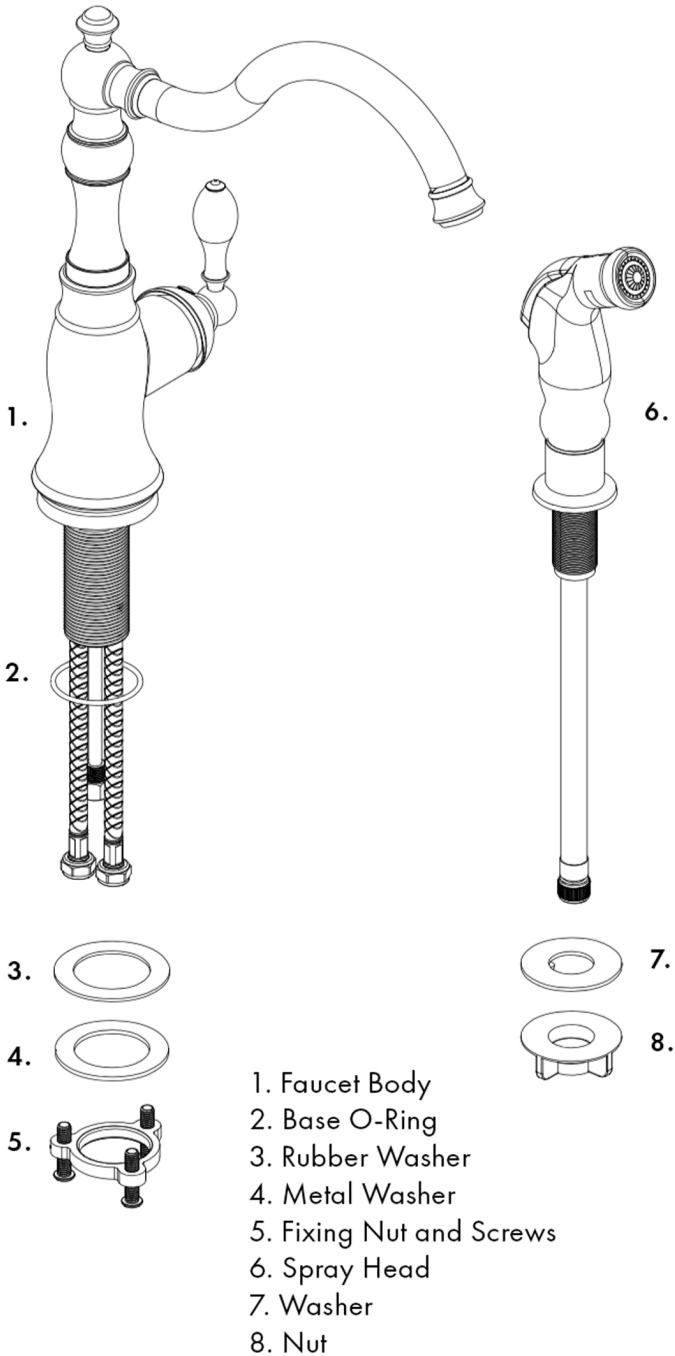


Test the faucet.



Press the button to switch from stream to spray.

SINGLE HANDLE FAUCETS



SINGLE HANDLE FAUCETS

Tools:



Wrench



Phillips-head screwdriver



Bucket

Time required:



+/- 45 minutes

Legend:



Hot Water



Cold Water



Grease

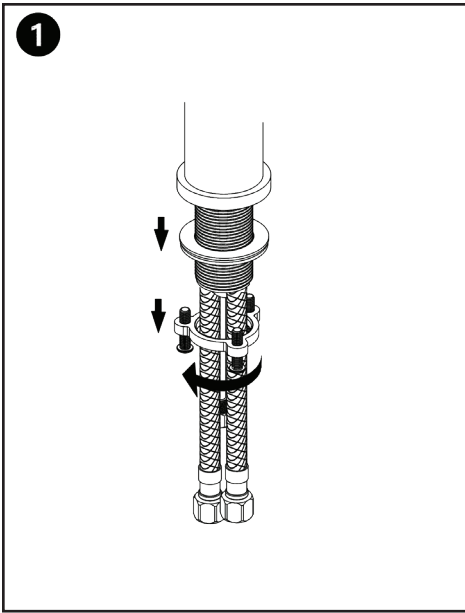


Warning

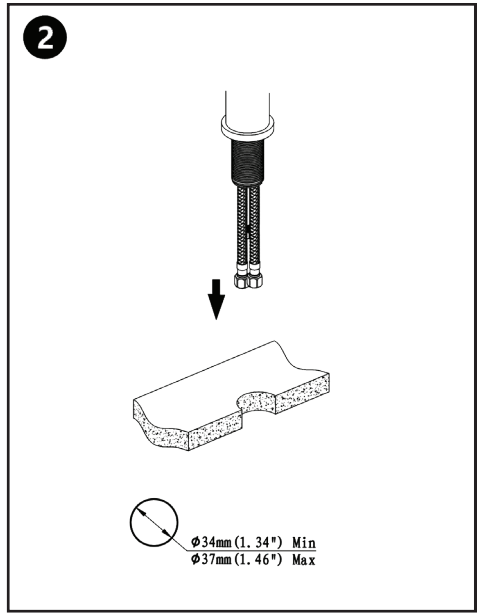


Plumber's Tape-
Used for a watertight
seal on threaded pipe
joints.

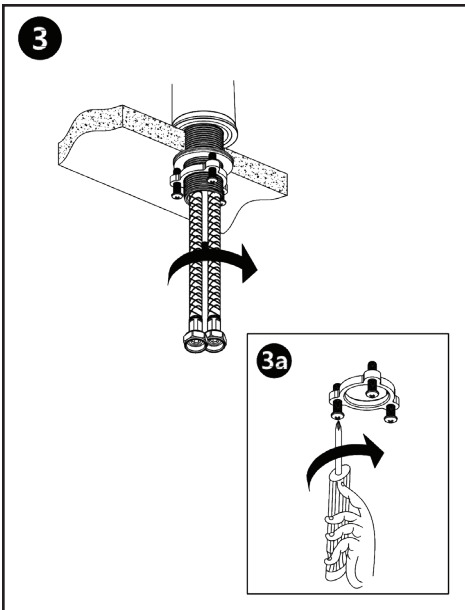
SINGLE HANDLE FAUCETS



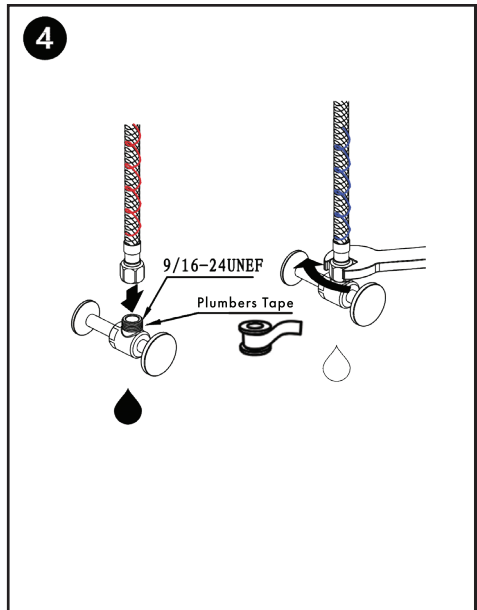
Loosen the fixing nut and screws and put aside.



Mount faucet to counter top.

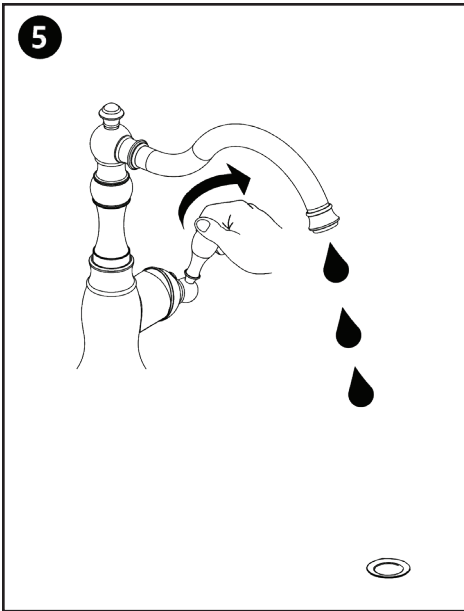


Secure the hardware into place with the Base O-ring, nuts, and screws.

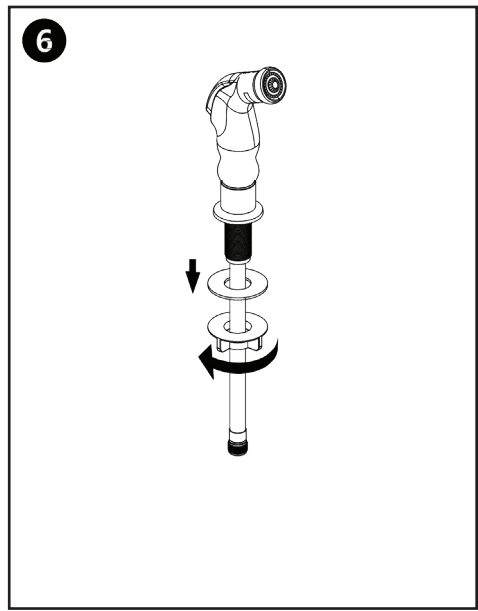


Secure the hoses to the hot and cold lines appropriately.

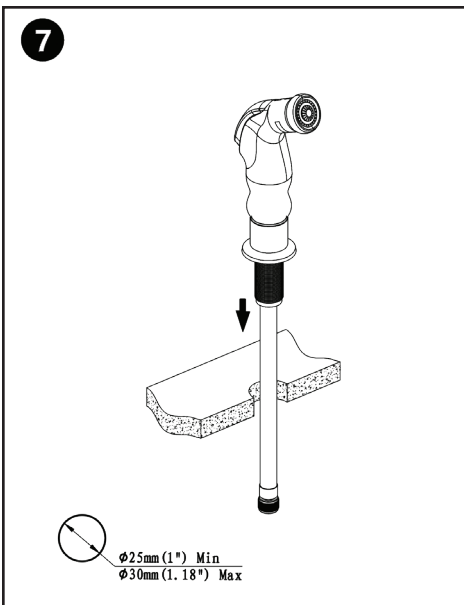
SINGLE HANDLE FAUCETS



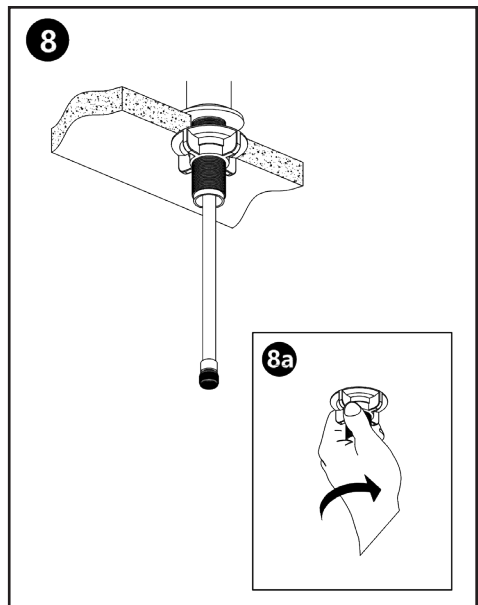
Test the faucet.



Loosen the washer on the spray head.

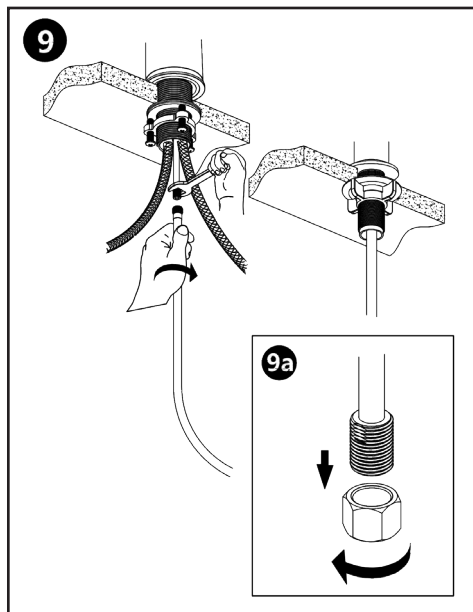


Mount spray head to counter top.

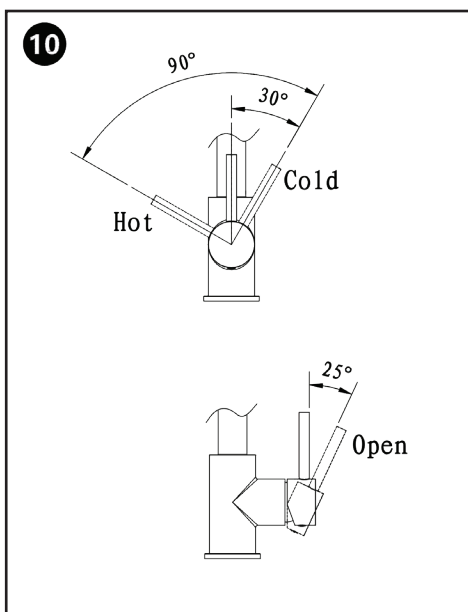


Secure the hardware into place with nuts and screws.

SINGLE HANDLE FAUCETS

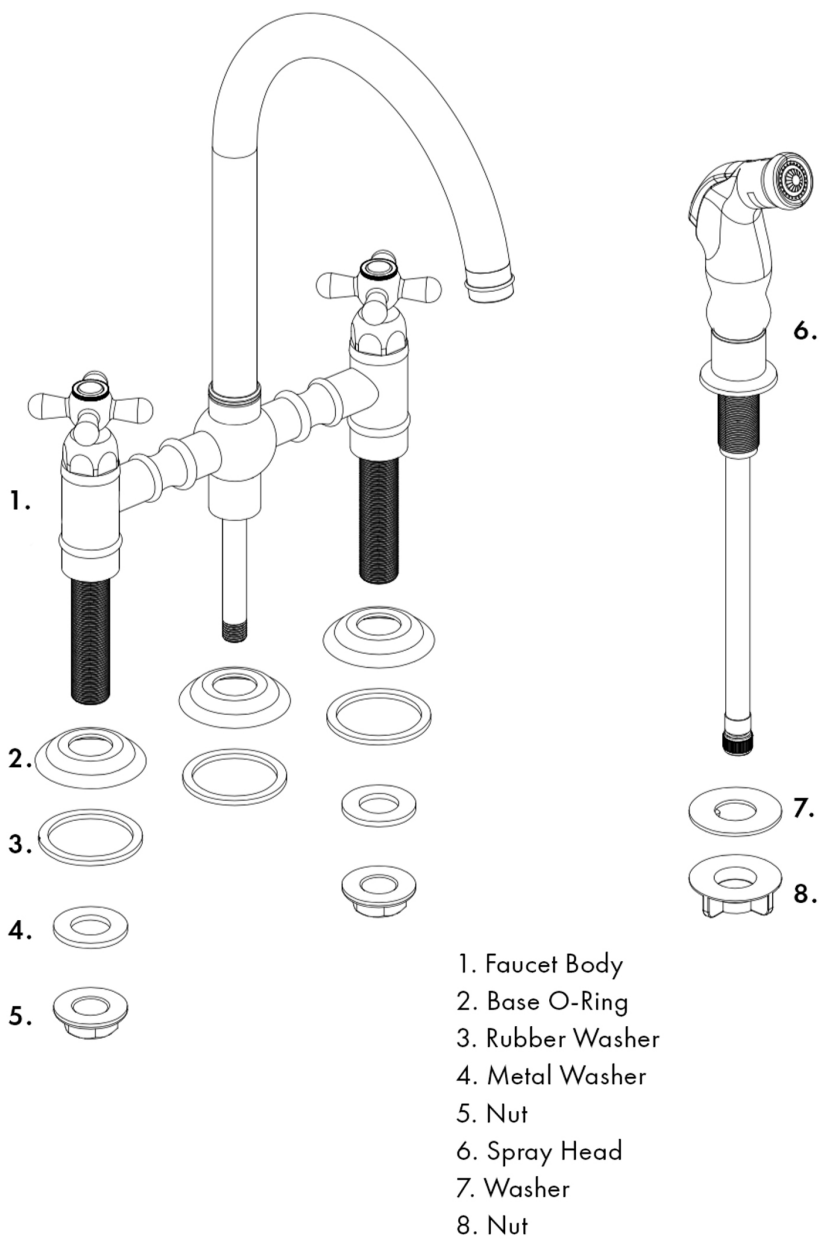


Tighten the hardware.



Review the diagram to understand the hot, cold, and open settings.

DOUBLE HANDLE FAUCETS

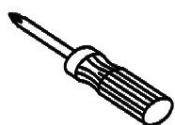


DOUBLE HANDLE FAUCETS

Tools:



Wrench



Phillips-head screwdriver



Bucket

Time required:



+/- 45 minutes

Legend:



Hot Water



Cold Water



Grease

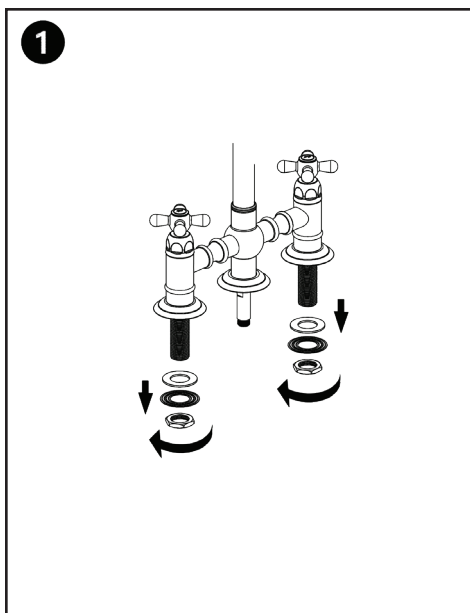


Warning

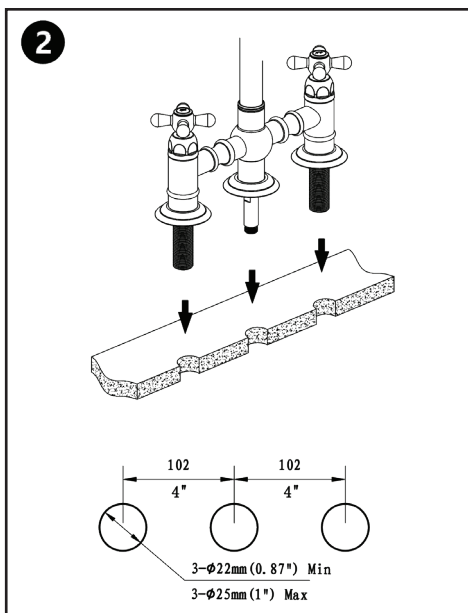


Plumber's Tape-
Used for a watertight
seal on threaded pipe
joints.

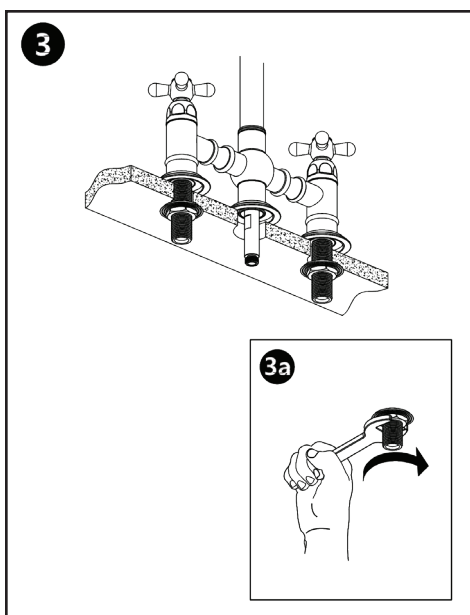
DOUBLE HANDLE FAUCETS



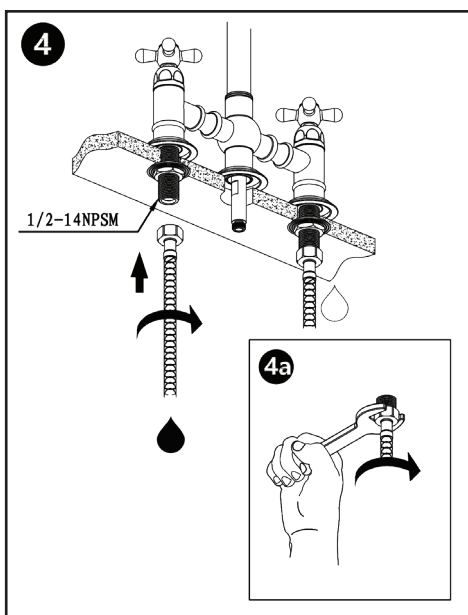
Loosen the fixing nut and washers and put aside.



Mount faucet to counter top.

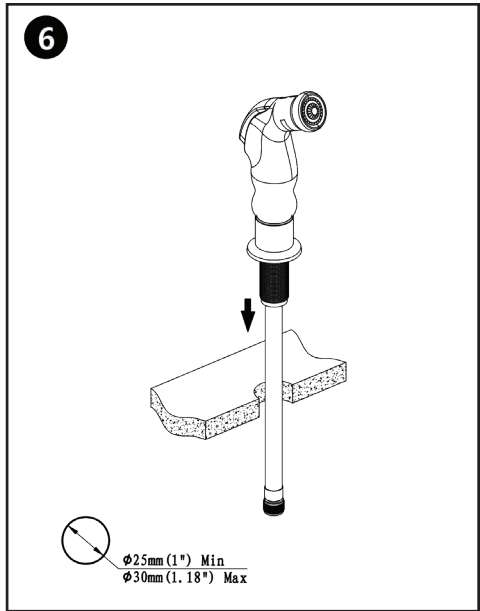
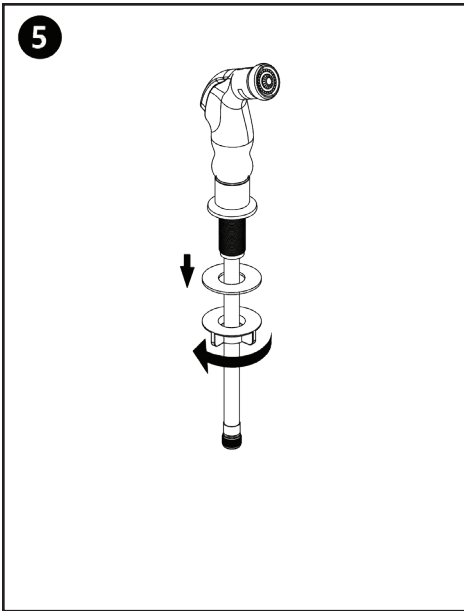


Secure the hardware into place with the Base O-ring, nuts, and screws.

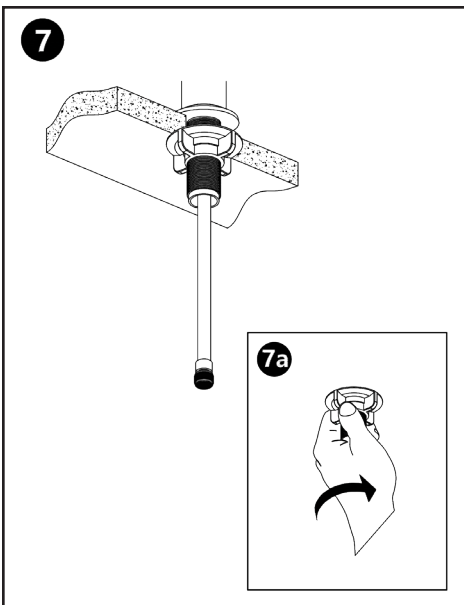


Secure the hoses to the hot and cold lines appropriately.

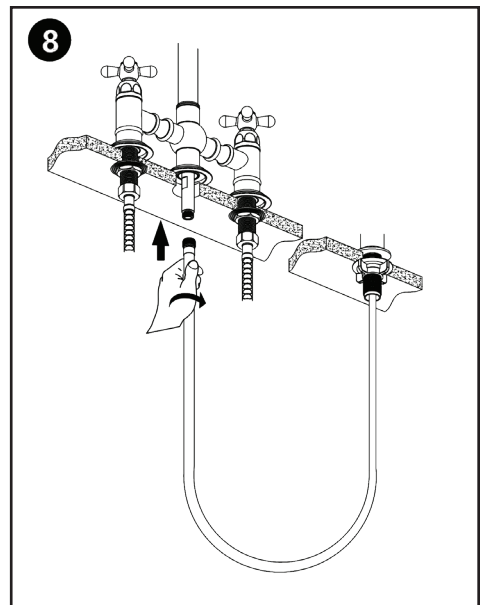
DOUBLE HANDLE FAUCETS



Loosen the washer on the spray head. Mount spray head to counter top.

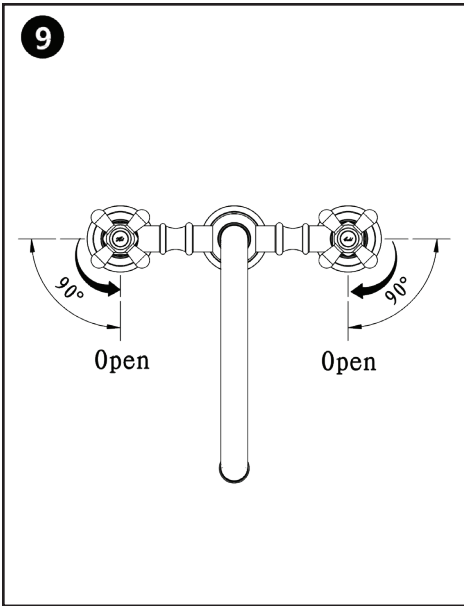


Secure the hardware into place with nuts and screws.



Use the hose to connect the spray head and main faucet head.

DOUBLE HANDLE FAUCETS



Review the diagram to understand the hot, cold, and open settings.

TROUBLESHOOTING

Problem	Possible Cause	Solution
There is leakage under the handle.	The locking nut has come loose.	Unscrew the lever on the handle by hand. Loosen set screw with a hex wrench. Remove the handle and unscrew trim cap by hand. Tighten locking nut with an adjustable wrench.
Water will not shut off completely.	Cartridge may be defective.	Unscrew the level on the handle by hand. Loosen set screw with a hex wrench. Remove the handle and unscrew trim cap by hand. Unscrew the locking nut with an adjustable wrench. Remove ceramic disc cartridge. Check for cracks.
There is a leak between the spray head and the hose.	The spray head may be loose or the washer is not seated correctly in the hose connection.	Tighten the spray head by hand until snug. Make sure the washer is seated correctly.



ZLINE

KITCHEN AND BATH

Three Locations:

350 Parr Circle
Reno, NV 89512

916 Delaware Avenue
Marysville, OH 43040

427 Rowland Mill Road
Bruceston, TN 38317

www.zlinekitchen.com

1-614-777-5004