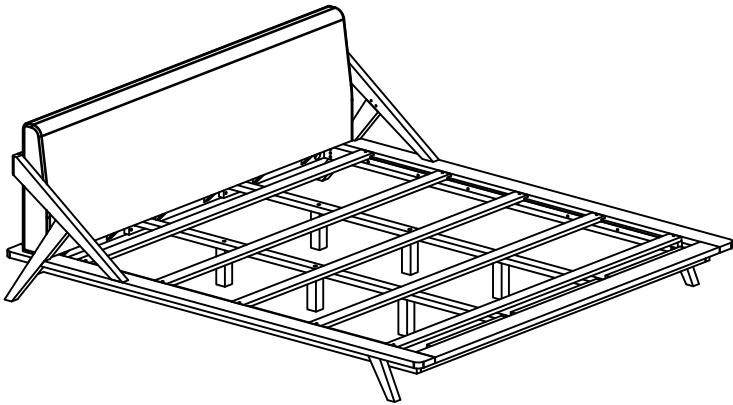


DEVYN WOOD PLATFORM BED

DESIGN #SFV4113-K

Assembly Instructions



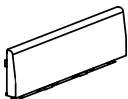
SAFAVIEH
C O U T U R E

Thanks for bringing Safavieh Couture into your home

Everything we make is incredibly simple to set up, including your new bed. You won't need any additional tools.

Parts List

A x 1
HEADBOARD



B x 1
FOOTBOARD



C x 1
SIDE RAILS (LEFT)



D x 1
SIDE RAILS (RIGHT)



E x 8
FRONT LEGS (LEFT)



F x 1
FRONT LEGS (RIGHT)



G x 1
BACK LEGS (LEFT)



H x 1
BACK LEGS (RIGHT)



I x 2
CENTRE SUPPORT RAIL



J x 6
CENTRE LEGS



K x 5
SLATS



Hardware List

HW1 x 14
Wooden dowel Ø10mm



HW2 x 10
Metal thread 8x70mm



HW3 x 10
Semicircle washer 7x15x30mm



HW4 x 14
Spring washer 8mm



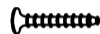
HW5 x 10
Nut 8mm



HW6 x 1
Spanner



HW7 x 10
Screw 4x30mm



HW8 x 6
Small cross bolt 6x40mm



HW9 x 1
Allen key



HW10 x 4
Big cross bolt 8x90mm



HW11 x 4
Flat washer 8mm

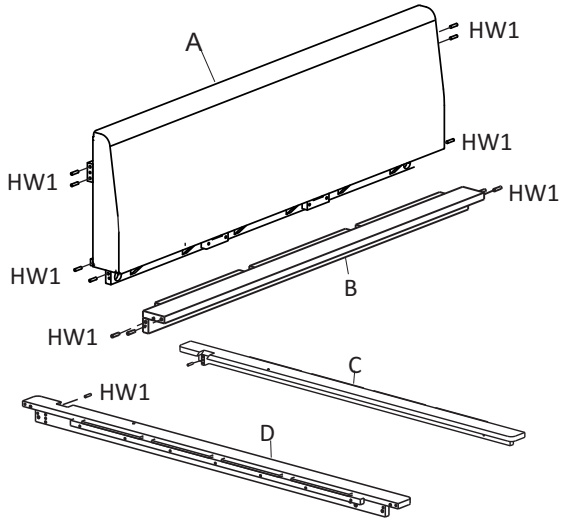


HW12 x 6
Medium cross bolt 8x40mm



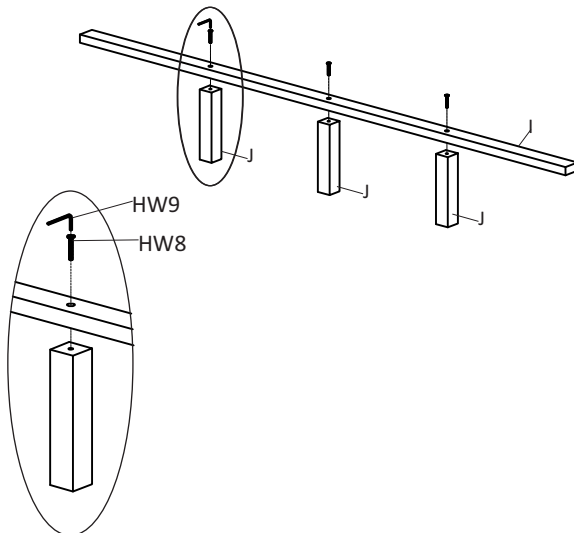
1

Place the wooden dowels (HW1) into the dowel holes in the headboard (A), footboard (B), and side rails (C&D) as shown below.



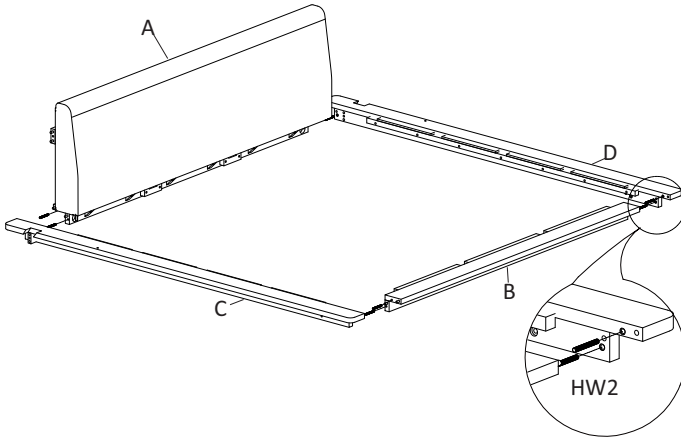
2

Attach the center support legs (J) to the center support rails (I) by using the Allen Key (HW9) to screw in the bolts (HW8) as shown.



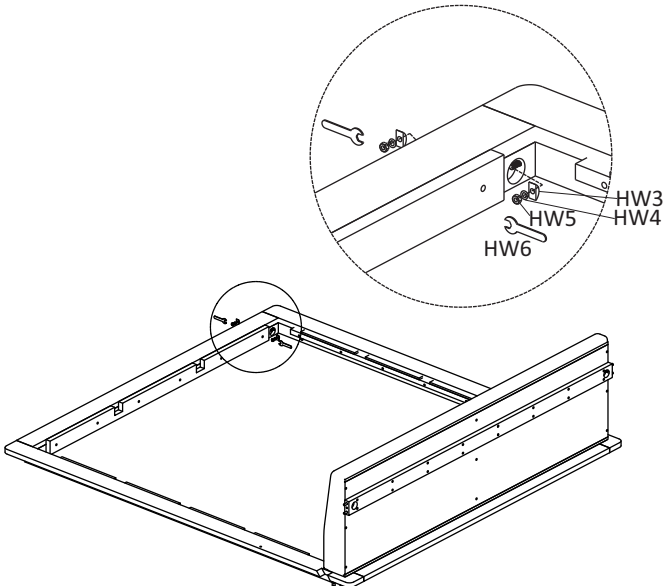
3

Attach the Side rails (C&D) to the footboard (B) and headboard (A) by screwing in the Metal thread (HW2) into the spots shown below.



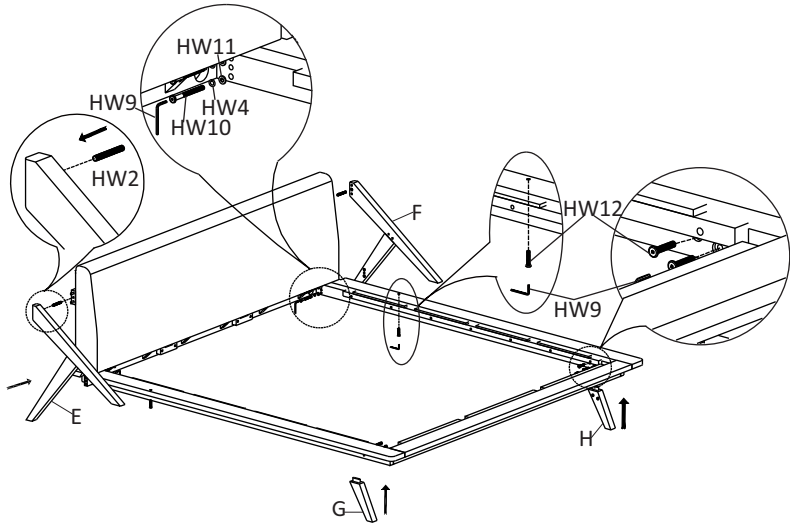
4

Place the Semicircle washer (HW3), spring washer (HW4) and nut (HW5) onto the metal threads (HW2) in the order shown below. Use the Spanner (HW6) to tighten the nut (HW5). Repeat for all 8 metal threads (HW2).



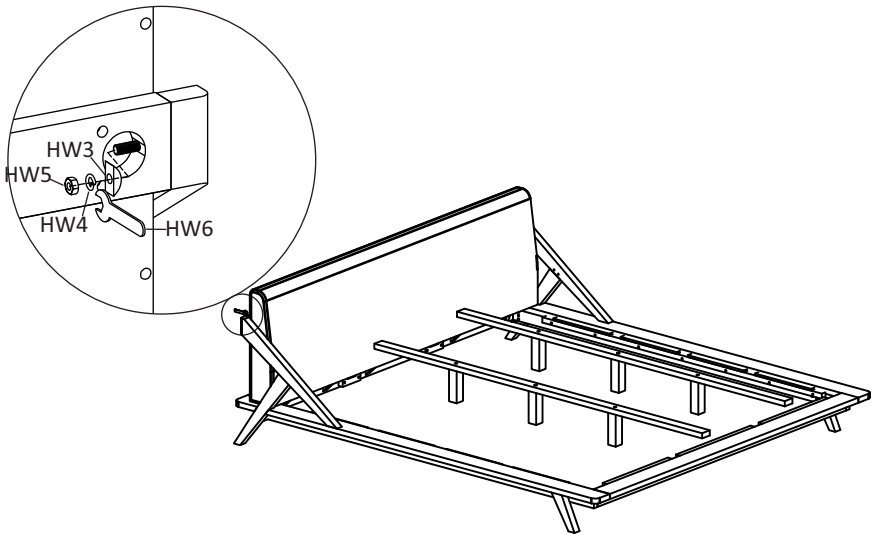
5

Attach the back legs (G&H) to the assembled base by using the Allen Key (HW9) to screw in the Medium Cross Bolts (HW12) in the places shown below. Attach the front legs (E&F) to the assembled base by placing the spring washer (HW4) and Flat washer (HW11) on the Big cross bolt (HW10) (in the order shown below), then inserting the Big Cross Bolts (HW10) into the 2 places shown below the headboard. Insert the Metal thread (HW2) into the top of legs (E&F).



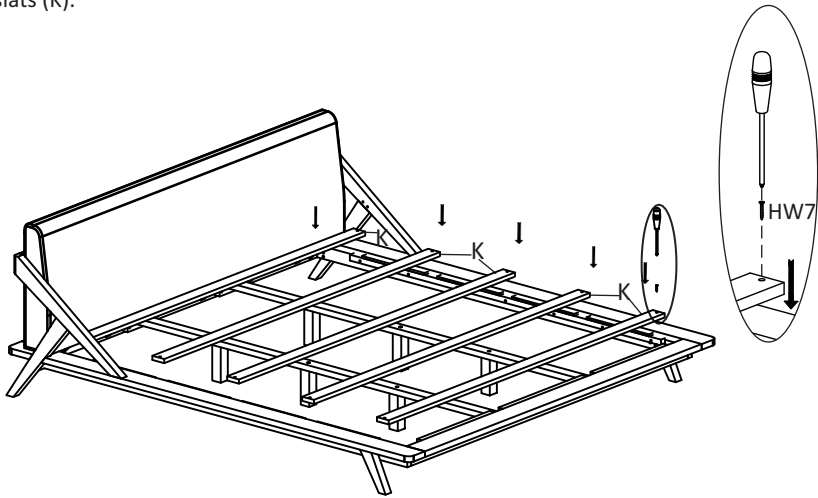
6

Place the Semicircle washer (HW3), spring washer (HW4) and nut (HW5) onto the metal threads (HW2) as shown below. Place the assembled center support rails into the bed base as shown.



7

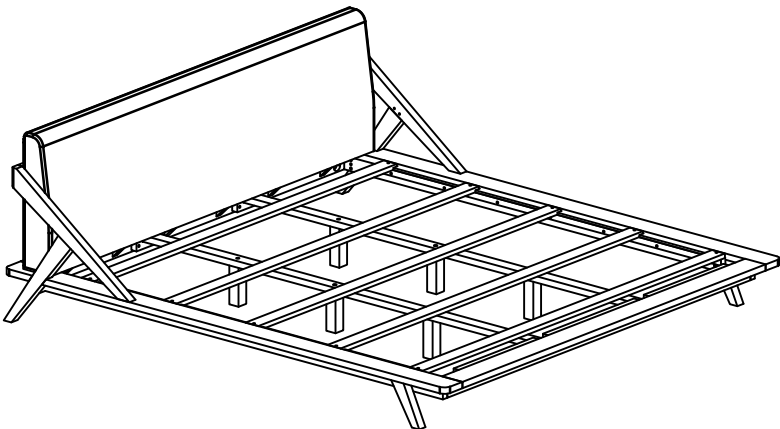
Place the slats (K) inside the bed frame evenly apart from each other. Attach the slats to the siderails by using a screwdriver (not included) to screw in the screws (HW7) at the ends of both sides of the slats (K).



8

Place the bed in the place where you will use it. We'd love to see it – just tag us (we're @safavieh) and use the hashtag #safavieh on Instagram!

@safavieh



Need help?

Feel free to contact us via email or call
if you have any specific questions!

contact us:

cs@safavieh.com

866-422-9070