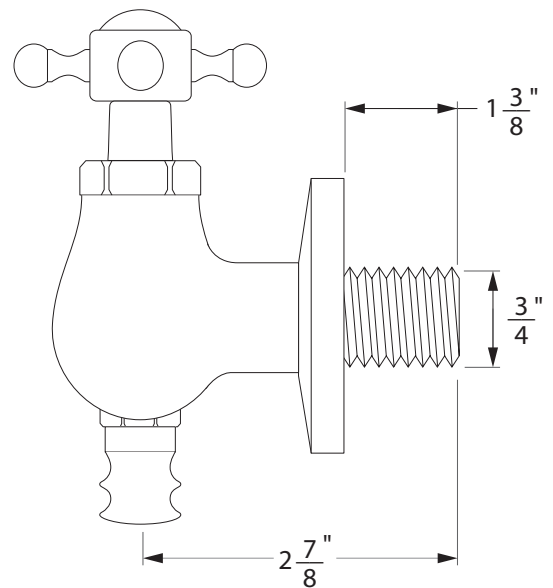
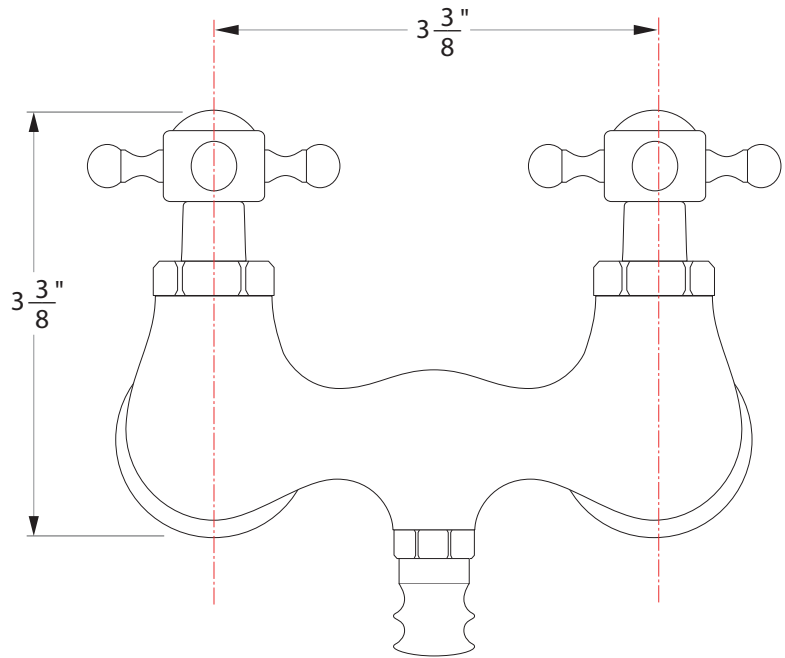




Model # 3100

INSTRUCTIONS

1. Screw flanges onto threaded pipe fitting on the back side on of the valve body.
2. Mount faucet on $3 \frac{3}{8}$ " spread hole in vertical space. Use lock nut on the back of faucet to secure the valve in the wall.
3. Connect water supply on the back to $\frac{3}{4}$ " connections.
4. Next test valve by turning on water supply and turning on the hot and cold side valves. Check for leaks. Turn off and check for any leakage from the valve and also be sure to check in wall connections.
5. Last, Connect desired hose to pex adaptor.



CARE AND MAINTENANCE

Minimum Maintenance is required to maintain product finish. With proper maintenance your CHEVIOT Faucet will continually look like new. Special care should be taken when cleaning your faucet and the following suggestions should help extend your faucet life.

- a) Cleaning should be done regularly using a soft cotton cloth and warm water, then towel dry.
- b) Do not use cleaners that contain abrasives or harsh chemicals; Care should be taken in selecting cleaning supplies. Many cleaners contain detergents, ammonia, or other corrosive solvents that could damage your faucet finish.
- c) occasionally clean with a non-abrasive wax polish.