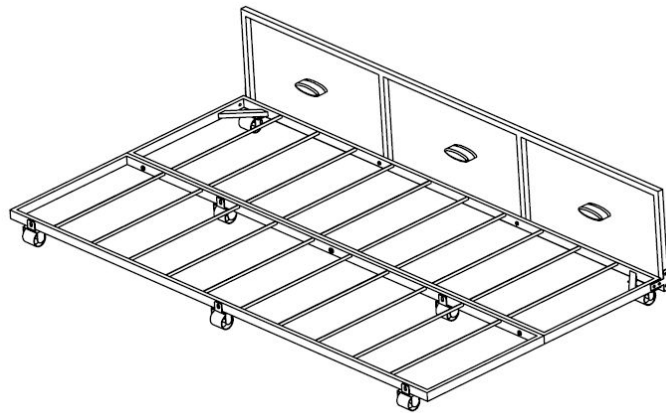


Manual Of Instruction



Note:



Save all packing until assembly is complete.



Follow instructions carefully.



We recommend to have 2 or more adults on hand for assembly.



Assemble on a clean non-marking protected surface.



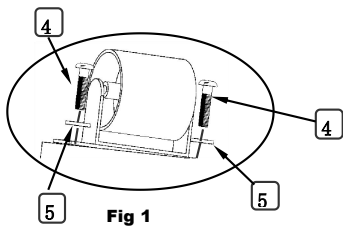
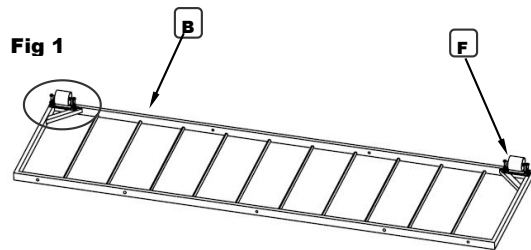
Unpack all hardware and components to ensure that no parts are missing

Parts List

Parts ID	Image	Description	Qty
A		Platform	1
B		Platform	1
C		Trundle Panel	1
D		Wheel	3
E		Wheel	2
F		Wheel	2
G		Connector Plate	2
Hardware Parts			
1		Bolt 2"	5
2		Bolt 1-1/4"	3
3		Bolt 1"	2
4		Bolt 3/4"	12
5		Washer	30
6		Nut	8
7		Wrench	1
8		Allen key	1
9		Allen key	1

Assembling

Step 1



Assemble the Wheel (F) to the Platform (B).
Use Bolt #4,Washer #5,tool #8. See Fig 1.

Note:Do not tighten the bolts at this step

Step 2

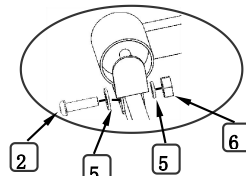
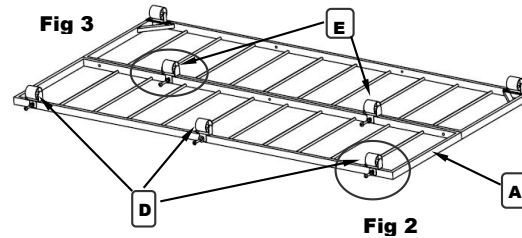


Fig 2

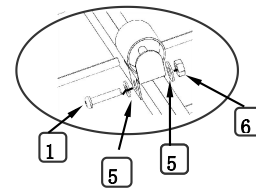


Fig 3

Assemble the Wheel (D) to the Platform (A),use Bolt #2,Washer #5,Nut #6,tool #7 & 9 ,see fig 2. Connect the Platform (A) & Platform (B) together by Wheel (E). Use Bolt #1,Washer #5,Nut #6,tool #7 & 9 ,See Fig 3.The direction of the bolts from Platform (A) to Platform (B),as shown in the above.

Note:Do not tighten the bolts at this step

Step 3

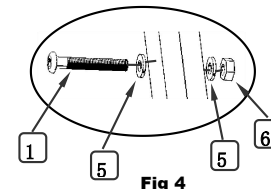
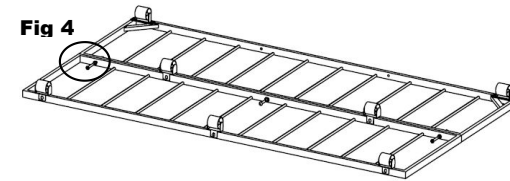


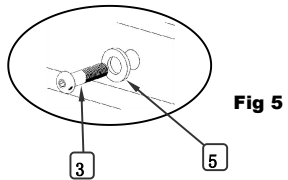
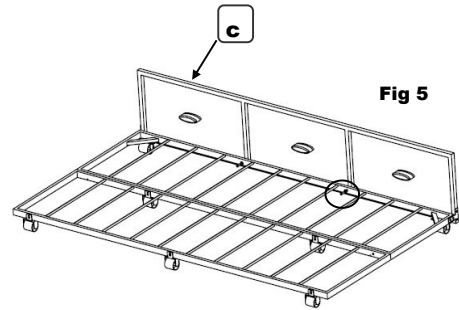
Fig 4

Assemble the Platform(A) to the Platform (B)
use Bolt #1,Washer #5,Nut #6,tool #7 & 9,See Fig 4.

Note: Do not tighten the bolts at this step

Assembling

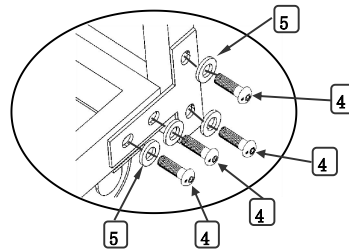
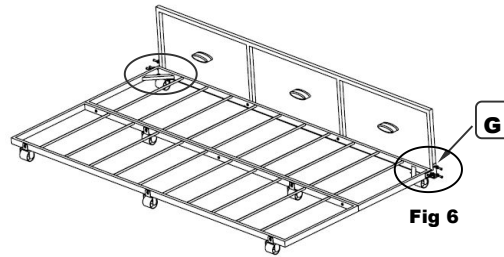
Step 4



Assemble the platform (B) to the Trundle Panel (C) use Bolt #3, Washer #5, tool #8, See Fig 5

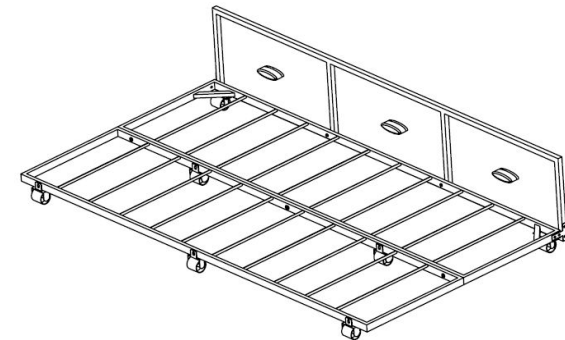
Note: Make sure all wheels at the same level and then tighten all the bolts at this step.

Step 5



Assemble the Support Plate (G) to the Platform (B) & Trundle Panel (C) use Bolt #4, Washer #5, tool #8, See Fig 6.

Finish



Your Trundle bed is ready for use.

Please check the bolts regularly, to prevent any damage to the item or injury to the user.